

| PART NUMBER | BELT WIDTH | DIM "A" FRAME LENGTH | DIM "B" BLADE WIDTH |
|---------------|------------|----------------------|---------------------|
| C2C2S1802XXXX | 18.00 | 400-500 | 54.00 [1372] |
| C2C2S1803XXXX | 18.00 | 400-500 | 54.00 [1372] |
| C2C2S2403XXXX | 24.00 | 500-650 | 60.00 [1524] |
| C2C2S2404XXXX | 24.00 | 500-650 | 60.00 [1524] |
| C2C2S3004XXXX | 30.00 | 650-800 | 66.00 [1676] |
| C2C2S3005XXXX | 30.00 | 650-800 | 66.00 [1676] |
| C2C2S3605XXXX | 36.00 | 800-1000 | 72.00 [1829] |
| C2C2S3606XXXX | 36.00 | 800-1000 | 72.00 [1829] |
| C2C2S4206XXXX | 42.00 | 1000-1200 | 78.00 [1981] |
| C2C2S4207XXXX | 42.00 | 1000-1200 | 78.00 [1981] |
| C2C2S4807XXXX | 48.00 | 1200-1400 | 96.00 [2438] |
| C2C2S4808XXXX | 48.00 | 1200-1400 | 96.00 [2438] |
| C2C2S5408XXXX | 54.00 | 1400-1600 | 102.00 [2591] |
| C2C2S5409XXXX | 54.00 | 1400-1600 | 102.00 [2591] |
| C2C2S6009XXXX | 60.00 | 1600-1800 | 108.00 [2743] |
| C2C2S6010XXXX | 60.00 | 1600-1800 | 108.00 [2743] |
| C2C2S6610XXXX | 66.00 | 1600-1800 | 114.00 [2896] |
| C2C2S6611XXXX | 66.00 | 1600-1800 | 114.00 [2896] |
| C2C2S7211XXXX | 72.00 | 1800-1900 | 120.00 [3048] |
| C2C2S7212XXXX | 72.00 | 1800-1900 | 120.00 [3048] |
| C2C2S7812XXXX | 78.00 | 1900-2000 | 126.00 [3200] |
| C2C2S7813XXXX | 78.00 | 1900-2000 | 126.00 [3200] |
| C2C2S8413XXXX | 84.00 | 2000-2100 | 132.00 [3353] |
| C2C2S8414XXXX | 84.00 | 2000-2100 | 132.00 [3353] |
| C2C2S9014XXXX | 90.00 | 2100-2200 | 138.00 [3505] |
| C2C2S9015XXXX | 90.00 | 2100-2200 | 138.00 [3505] |
| C2C2S9615XXXX | 96.00 | 2200-2400 | 144.00 [3658] |
| C2C2S9616XXXX | 96.00 | 2200-2400 | 144.00 [3658] |

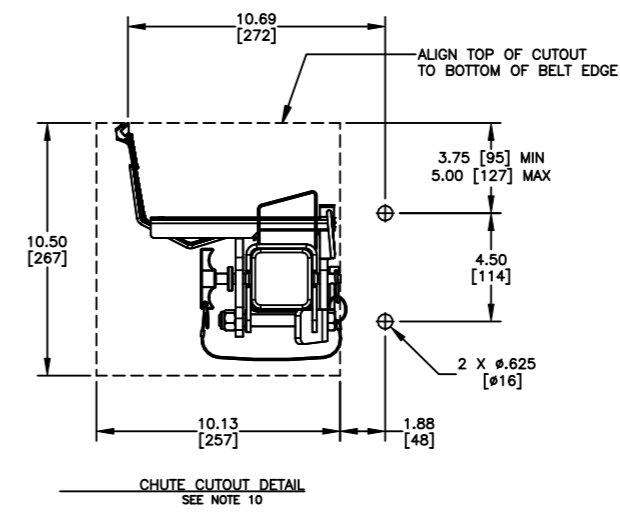
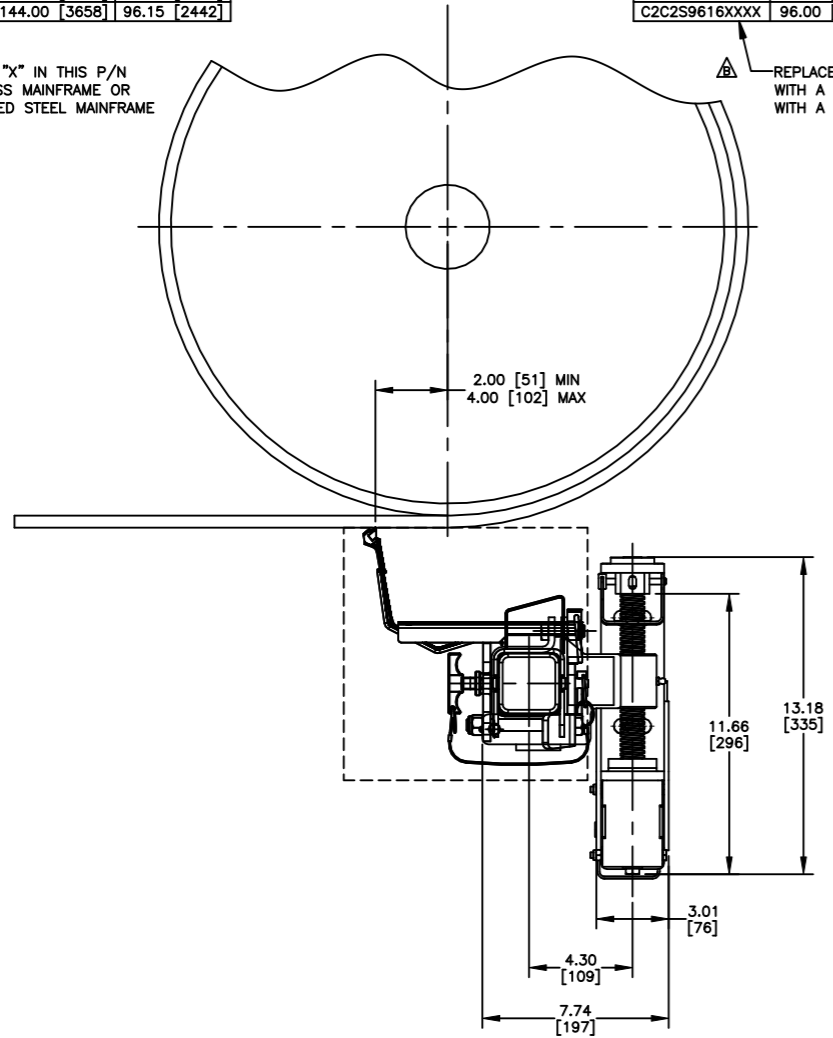
| PART NUMBER | BELT WIDTH | DIM "A" FRAME LENGTH | DIM "B" BLADE WIDTH |
|---------------|------------|----------------------|---------------------|
| C2C2S1802XXXX | 18.00 | 400-500 | 72.00 [1829] |
| C2C2S1803XXXX | 18.00 | 400-500 | 72.00 [1829] |
| C2C2S2403XXXX | 24.00 | 500-650 | 78.00 [1981] |
| C2C2S2404XXXX | 24.00 | 500-650 | 78.00 [1981] |
| C2C2S3004XXXX | 30.00 | 650-800 | 84.00 [2134] |
| C2C2S3005XXXX | 30.00 | 650-800 | 84.00 [2134] |
| C2C2S3605XXXX | 36.00 | 800-1000 | 90.00 [2286] |
| C2C2S3606XXXX | 36.00 | 800-1000 | 90.00 [2286] |
| C2C2S4206XXXX | 42.00 | 1000-1200 | 96.00 [2438] |
| C2C2S4207XXXX | 42.00 | 1000-1200 | 96.00 [2438] |
| C2C2S4807XXXX | 48.00 | 1200-1400 | 102.00 [2591] |
| C2C2S4808XXXX | 48.00 | 1200-1400 | 102.00 [2591] |
| C2C2S5408XXXX | 54.00 | 1400-1600 | 108.00 [2743] |
| C2C2S5409XXXX | 54.00 | 1400-1600 | 108.00 [2743] |
| C2C2S6009XXXX | 60.00 | 1600-1800 | 114.00 [2896] |
| C2C2S6010XXXX | 60.00 | 1600-1800 | 114.00 [2896] |
| C2C2S6610XXXX | 66.00 | 1600-1800 | 120.00 [3048] |
| C2C2S6611XXXX | 66.00 | 1600-1800 | 120.00 [3048] |
| C2C2S7211XXXX | 72.00 | 1800-1900 | 126.00 [3200] |
| C2C2S7212XXXX | 72.00 | 1800-1900 | 126.00 [3200] |
| C2C2S7812XXXX | 78.00 | 1900-2000 | 132.00 [3353] |
| C2C2S7813XXXX | 78.00 | 1900-2000 | 132.00 [3353] |
| C2C2S8413XXXX | 84.00 | 2000-2100 | 138.00 [3505] |
| C2C2S8414XXXX | 84.00 | 2000-2100 | 138.00 [3505] |
| C2C2S9014XXXX | 90.00 | 2100-2200 | 144.00 [3658] |
| C2C2S9015XXXX | 90.00 | 2100-2200 | 144.00 [3658] |
| C2C2S9615XXXX | 96.00 | 2200-2400 | 150.00 [3810] |
| C2C2S9616XXXX | 96.00 | 2200-2400 | 150.00 [3810] |

| BLADE CHART | |
|---------------|------------------|
| PART NUMBER | BLADE MATERIAL |
| C2C2SXXXX1XXX | TUNGSTEN CARBIDE |

| ITEM | QTY. | DESCRIPTION | PART NUMBER |
|------|------|--|-------------|
| 1 | 1 | STS CLEANSRAPE SECONDARY ASM | SEE CHART |
| 2 | 1 | SQUARE MAINFRAME TENSIONER ASM | SEE CHART |
| 3 | 1 | SAFE TO SERVICE TENSIONER OFFSET MOUNT KIT | 38975 |

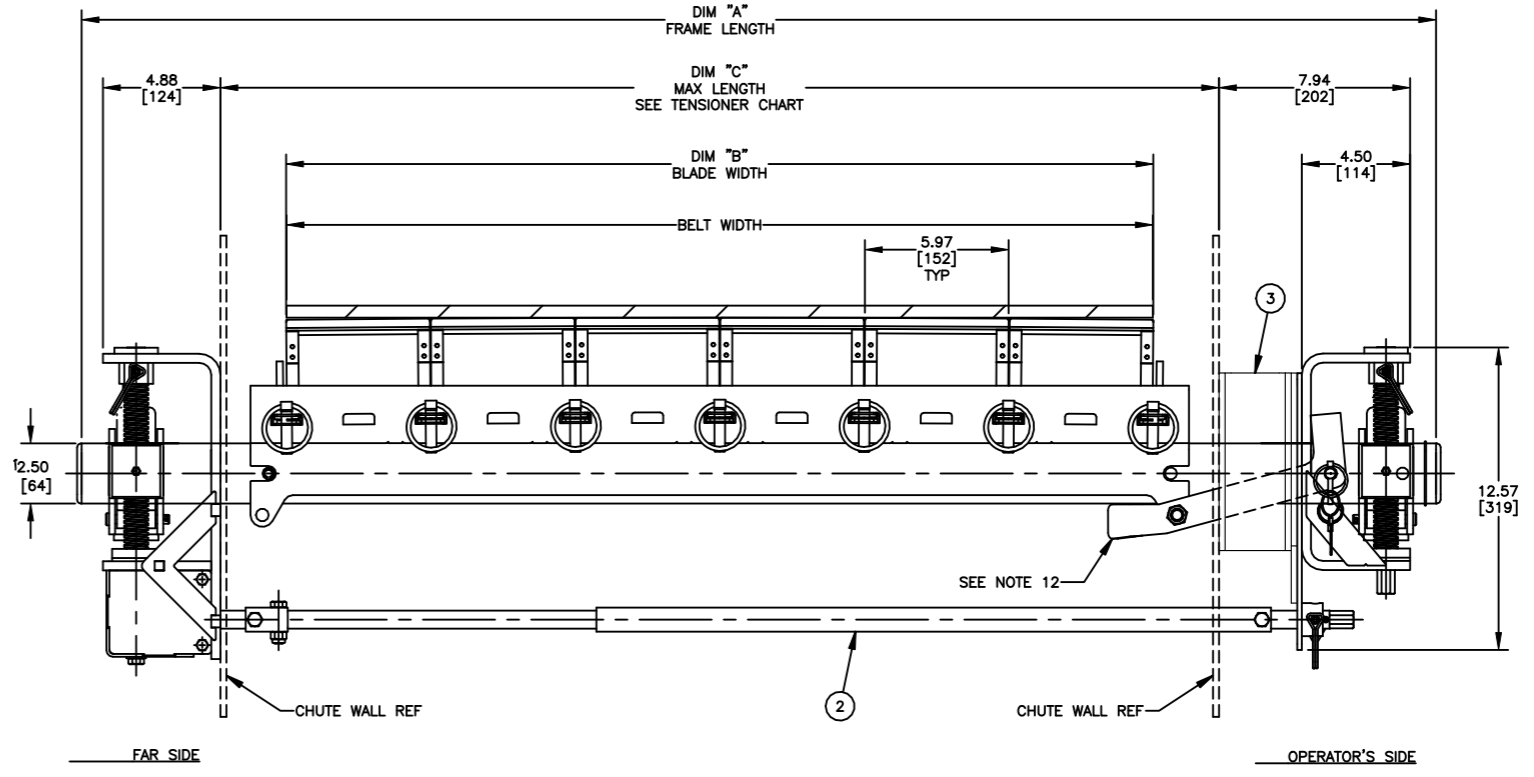
REPLACE THE SECOND "X" IN THIS P/N WITH A "S" FOR 304 SS MAINFRAME OR WITH A "P" FOR PAINTED STEEL MAINFRAME

REPLACE THE SECOND "X" IN THIS P/N WITH A "E" FOR EXTENDED 304 SS MAINFRAME OR WITH A "Z" FOR EXTENDED PAINTED STEEL MAINFRAME



| TENSIONER CHART | | | |
|-----------------|-------------|------------|-------------------|
| BELT WIDTH | P/N ITEM 2 | P/N ITEM 2 | DIM "C" MAX WIDTH |
| S18-S30 | 38664-D01XX | 38664-XX | 56.00 [1422] |
| S36-S54 | 38664-D02XX | 38664-XX | 80.00 [2032] |
| S60-S90 | 38664-D03XX | 38664-XX | 116.00 [2946] |
| S96 | 38664-D04XX | 38664-XX | 140.00 [3556] |

REPLACE THE "XX" IN THIS PART NUMBER WITH A "SS" FOR STAINLESS STEEL TENSIONER OR LEAVE BLANK FOR PAINTED STEEL TENSIONER



- NOTES:
- ALL DIMENSIONS ARE GIVEN IN INCHES [MM].
 - ALL DIMENSIONS ARE FOR REFERENCE ONLY.
 - FOR EASE OF ACCESSIBILITY AND MAINTENANCE MARTIN ENGINEERING RECOMMENDS BOLTING CLEANER TO EXISTING STRUCTURE WHEN APPLICABLE.
 - DUE TO STRUCTURAL TOLERANCES IN THE FIELD, DIMENSIONS AND LOCATIONS MAY VARY.
 - WHERE EXTREME AND UNUSUAL CONDITIONS EXIST, OR SPECIAL MAINFRAME LENGTHS ARE REQUIRED, CONTACT MARTIN ENGINEERING.
 - CUSTOMER MAY HAVE TO MODIFY STRUCTURE TO PROPERLY INSTALL CLEANER.
 - REFER TO OPERATOR'S MANUAL (M4128) FOR ADDITIONAL AND OPTIONAL INSTALLATION INSTRUCTIONS.
 - MARTIN ENGINEERING RECOMMENDS POSITIONING OF AN IDLER FOR PROPER BACKING SUPPORT OF THE BLADE IF NOT LOCATED ON THE HEAD PULLEY.
 - MAINFRAME IS SUPPLIED LONGER THAN REQUIRED, FIELD CUT TO DESIRED LENGTH.
 - LOCATE AND DRILL HOLES FOR TENSIONER BEFORE LOCATING ACCESS WINDOW.

- NOTES (CONT'D):
- IN THE "C2C" PART NUMBER:
 THE 2 INDICATES SAFE TO SERVICE TYPE MAINFRAME.
 THE SXX INDICATES THE BELT WIDTH IN STANDARD INCH UNITS.
 THE NEXT XX INDICATES THE NUMBER OF BLADES.
 THE NEXT X INDICATES BLADE TUNGSTEN TYPE:
 1 = TUNGSTEN CARBIDE
 THE NEXT X INDICATES THE MAINFRAME TYPE:
 E = EXTENDED STAINLESS STEEL
 S = STAINLESS STEEL
 P = PAINTED STEEL
 Z = EXTENDED PAINTED STEEL
 THE NEXT X INDICATES THE TENSIONER OPTIONS:
 0 = NO TENSIONER
 S = STAINLESS STEEL FAR SIDE
 T = STEEL FAR SIDE
 P = PAINTED STEEL STD
 Z = STAINLESS STEEL STD
 12) LONGER HANDLE (P/N C2CP10021LX) IS SHIPPED LOOSE WITH ASSEMBLY FOR FIELD USE WITH WIDE BASE STRINGER APPLICATIONS.

© Copyright 2019 Martin Engineering. All rights reserved. Covered by U.S. and foreign patents pending and issued. ® and TM indicate trademarks of Martin Engineering.

MARTIN ENGINEERING
NEPONSET, IL USA

| | | | | | |
|---------------|--|--------|----------|-----------|----------|
| TITLE | SAFE TO SERVICE MARTIN CLEANSRAPE SECONDARY BELT CLEANER | DRAWN | JAH | DATE | 06/13/19 |
| NO. | DESCRIPTION | ECN | DATE | BY | APPROVED |
| 1 | ADDED PAINTED STEEL MAINFRAME & TENSIONER OPTIONS TO CHARTS & NOTE: P = PAINTED STEEL, Z = EXTENDED PAINTED, T = STEEL, P = PAINTED STEEL STD & Z = SS STD (PR13975) | | 03/31/20 | JAH | 3/19 |
| 2 | ADDED EXTENDED LENGTH MAINFRAME OPTION | 15476 | 10/21/19 | JAH | 3/19 |
| SALES DRAWING | | S50131 | | SCALE 1/4 | |