

PART NUMBER	BELT WIDTH	DIM "A" FRAME LENGTH	DIM "B" BLADE WIDTH
C2C1S1802XXXX	18.00 [400-500]	48.00 [1219]	11.98 [304]
C2C1S1803XXXX	18.00 [400-500]	48.00 [1219]	17.99 [457]
C2C1S2403XXXX	24.00 [500-650]	54.00 [1372]	17.99 [457]
C2C1S2404XXXX	24.00 [500-650]	54.00 [1372]	24.01 [610]
C2C1S3004XXXX	30.00 [650-800]	60.00 [1524]	24.01 [610]
C2C1S3005XXXX	30.00 [650-800]	60.00 [1524]	30.02 [763]
C2C1S3605XXXX	36.00 [800-1000]	66.00 [1676]	30.02 [763]
C2C1S3606XXXX	36.00 [800-1000]	66.00 [1676]	36.03 [915]
C2C1S4206XXXX	42.00 [1000-1200]	72.00 [1829]	36.03 [915]
C2C1S4207XXXX	42.00 [1000-1200]	72.00 [1829]	42.04 [1068]
C2C1S4807XXXX	48.00 [1200-1400]	78.00 [1981]	42.04 [1068]
C2C1S4808XXXX	48.00 [1200-1400]	78.00 [1981]	48.06 [1221]
C2C1S5408XXXX	54.00 [1400-1600]	84.00 [2137]	48.06 [1221]
C2C1S5409XXXX	54.00 [1400-1600]	84.00 [2137]	54.07 [1373]
C2C1S6009XXXX	60.00 [1600-1800]	90.00 [2286]	54.07 [1373]
C2C1S6010XXXX	60.00 [1600-1800]	90.00 [2286]	60.08 [1526]
C2C1S6610XXXX	66.00 [1600-1800]	96.00 [2438]	60.08 [1526]
C2C1S6611XXXX	66.00 [1600-1800]	96.00 [2438]	66.09 [1679]
C2C1S7211XXXX	72.00 [1800-1900]	102.00 [2591]	66.09 [1679]
C2C1S7212XXXX	72.00 [1800-1900]	102.00 [2591]	72.10 [1832]
C2C1S7812XXXX	78.00 [1900-2000]	108.00 [2743]	72.10 [1832]
C2C1S7813XXXX	78.00 [1900-2000]	108.00 [2743]	78.12 [1984]
C2C1S8413XXXX	84.00 [2000-2100]	114.00 [2896]	78.12 [1984]
C2C1S8414XXXX	84.00 [2000-2100]	114.00 [2896]	84.13 [2137]
C2C1S9014XXXX	90.00 [2100-2200]	120.00 [3048]	84.13 [2137]
C2C1S9015XXXX	90.00 [2100-2200]	120.00 [3048]	90.14 [2290]
C2C1S9615XXXX	96.00 [2200-2400]	126.00 [3200]	90.14 [2290]
C2C1S9616XXXX	96.00 [2200-2400]	126.00 [3200]	96.15 [2442]

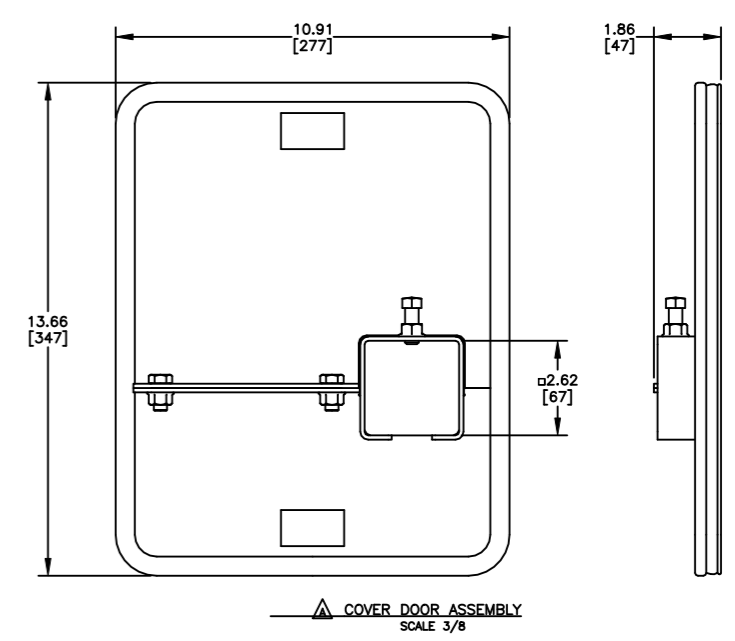
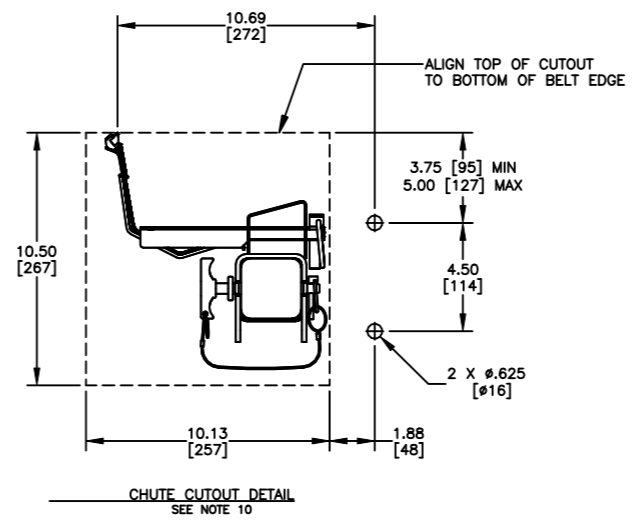
PART NUMBER	BELT WIDTH	DIM "A" FRAME LENGTH	DIM "B" BLADE WIDTH
C2C1S1802XXXX	18.00 [400-500]	66.00 [1676]	
C2C1S1803XXXX	18.00 [400-500]	66.00 [1676]	
C2C1S2403XXXX	24.00 [500-650]	72.00 [1829]	
C2C1S2404XXXX	24.00 [500-650]	72.00 [1829]	
C2C1S3004XXXX	30.00 [650-800]	78.00 [1981]	
C2C1S3005XXXX	30.00 [650-800]	78.00 [1981]	
C2C1S3605XXXX	36.00 [800-1000]	84.00 [2137]	
C2C1S3606XXXX	36.00 [800-1000]	84.00 [2137]	
C2C1S4206XXXX	42.00 [1000-1200]	90.00 [2286]	
C2C1S4207XXXX	42.00 [1000-1200]	90.00 [2286]	
C2C1S4807XXXX	48.00 [1200-1400]	96.00 [2438]	
C2C1S4808XXXX	48.00 [1200-1400]	96.00 [2438]	
C2C1S5408XXXX	54.00 [1400-1600]	102.00 [2591]	
C2C1S5409XXXX	54.00 [1400-1600]	102.00 [2591]	
C2C1S6009XXXX	60.00 [1600-1800]	108.00 [2743]	
C2C1S6010XXXX	60.00 [1600-1800]	108.00 [2743]	
C2C1S6610XXXX	66.00 [1600-1800]	114.00 [2896]	
C2C1S6611XXXX	66.00 [1600-1800]	114.00 [2896]	
C2C1S7211XXXX	72.00 [1800-1900]	120.00 [3048]	
C2C1S7212XXXX	72.00 [1800-1900]	120.00 [3048]	
C2C1S7812XXXX	78.00 [1900-2000]	126.00 [3200]	
C2C1S7813XXXX	78.00 [1900-2000]	126.00 [3200]	
C2C1S8413XXXX	84.00 [2000-2100]	132.00 [3353]	
C2C1S8414XXXX	84.00 [2000-2100]	132.00 [3353]	
C2C1S9014XXXX	90.00 [2100-2200]	138.00 [3505]	
C2C1S9015XXXX	90.00 [2100-2200]	138.00 [3505]	
C2C1S9615XXXX	96.00 [2200-2400]	144.00 [3658]	
C2C1S9616XXXX	96.00 [2200-2400]	144.00 [3658]	

BLADE CHART	
PART NUMBER	BLADE MATERIAL
C2C1SXXXX1XXX	TUNGSTEN CARBIDE

TENSIONER CHART		
PART NUMBER	P/N ITEM 2	MATERIAL
C2C1SXXXXXSX	38664-SS	316 SS
C2C1SXXXXXTX	38664	STEEL

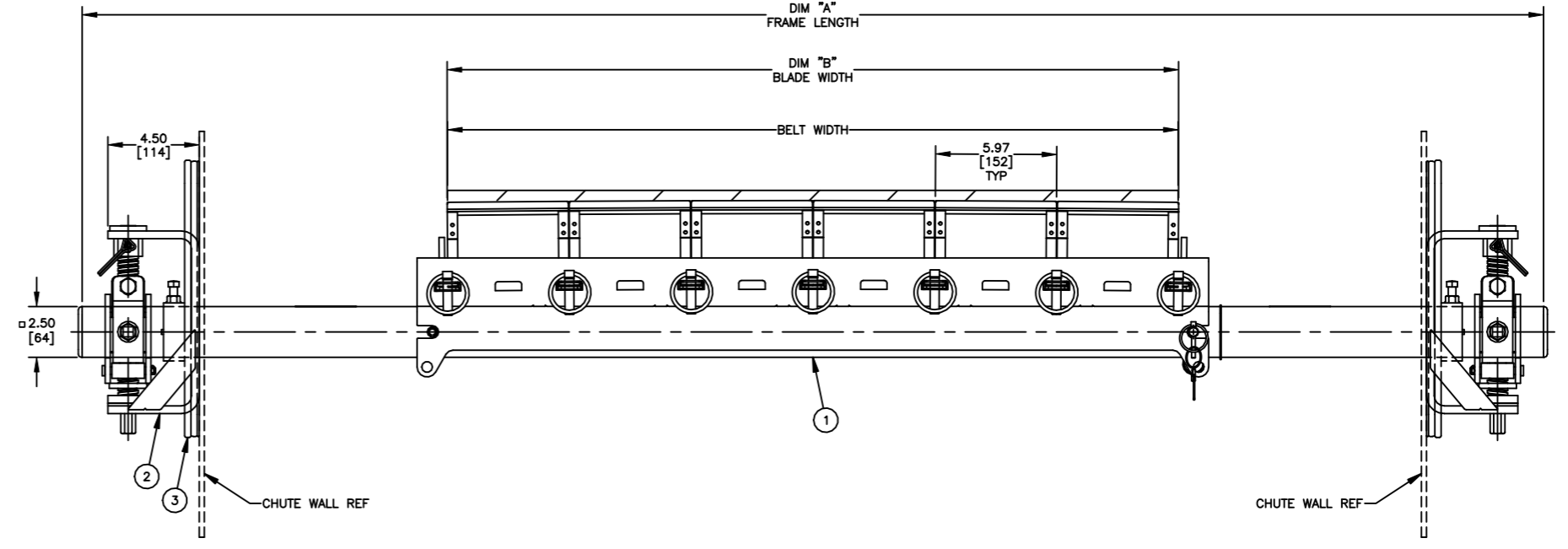
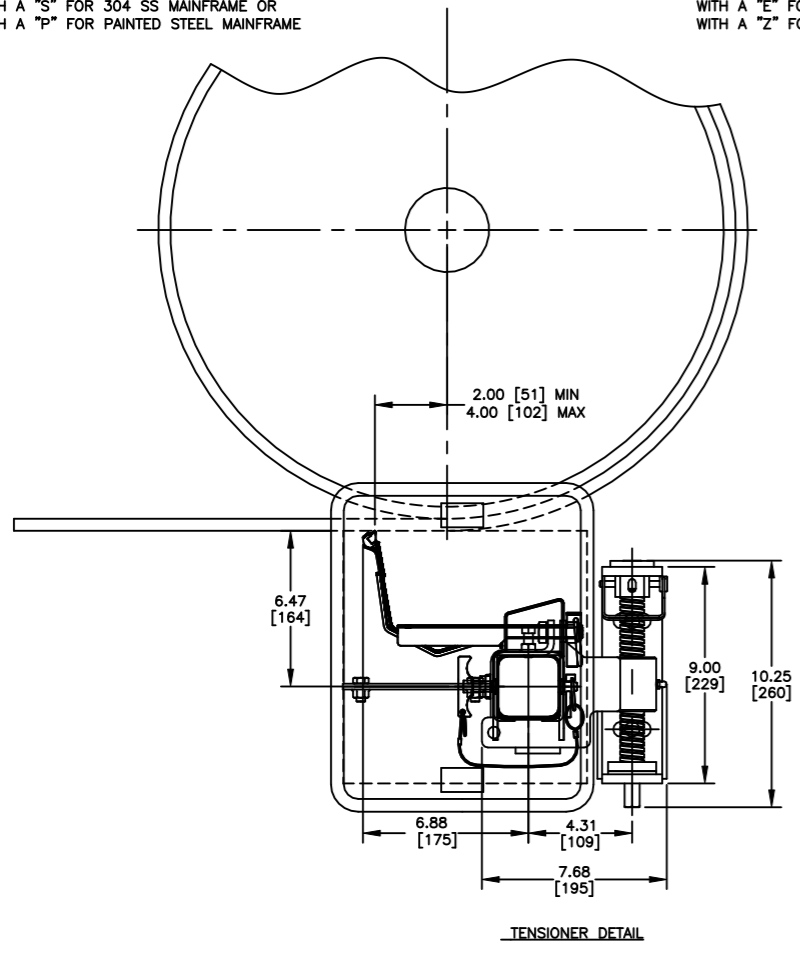
COVER DOOR CHART		
PART NUMBER	P/N ITEM 3	MATERIAL
C2C1SXXXXXSX	C2CP1027S	316 SS
C2C1SXXXXXD	C2CP1027	STEEL

ITEM	QTY.	DESCRIPTION	PART NUMBER
1	1	CLEANSRAPE SECONDARY ASM	SEE CHART
2	1	SQUARE MAINFRAME TENSIONER ASM	SEE CHART
3	1	CLEANSRAPE SECONDARY COVER DOOR ASM	SEE CHART



REPLACE THE SECOND "X" IN THIS P/N WITH A "S" FOR 304 SS MAINFRAME OR WITH A "P" FOR PAINTED STEEL MAINFRAME

REPLACE THE SECOND "X" IN THIS P/N WITH A "E" FOR EXTENDED 304 SS MAINFRAME OR WITH A "Z" FOR EXTENDED PAINTED STEEL MAINFRAME



- NOTES:
- ALL DIMENSIONS ARE GIVEN IN INCHES [MM].
 - ALL DIMENSIONS ARE FOR REFERENCE ONLY.
 - FOR EASE OF ACCESSIBILITY AND MAINTENANCE MARTIN ENGINEERING RECOMMENDS BOLTING CLEANER TO EXISTING STRUCTURE WHEN APPLICABLE.
 - DUE TO STRUCTURAL TOLERANCES IN THE FIELD, DIMENSIONS AND LOCATIONS MAY VARY.
 - WHERE EXTREME AND UNUSUAL CONDITIONS EXIST, OR SPECIAL MAINFRAME LENGTHS ARE REQUIRED, CONTACT MARTIN ENGINEERING.
 - CUSTOMER MAY HAVE TO MODIFY STRUCTURE TO PROPERLY INSTALL CLEANER.
 - REFER TO OPERATOR'S MANUAL (M4128) FOR ADDITIONAL AND OPTIONAL INSTALLATION INSTRUCTIONS.
 - MARTIN ENGINEERING RECOMMENDS POSITIONING OF AN IDLER FOR PROPER BACKING SUPPORT OF THE BLADE IF NOT LOCATED ON THE HEAD PULLEY.
 - MAINFRAME IS SUPPLIED LONGER THAN REQUIRED, FIELD CUT TO DESIRED LENGTH.
 - LOCATE AND DRILL HOLES FOR TENSIONER BEFORE LOCATING ACCESS WINDOW.

- NOTES (CONT'D):
- IN THE "C2C" PART NUMBER:
 - THE 1 INDICATES CARTRIDGE TYPE MAINFRAME.
 - THE SXX INDICATES THE BELT WIDTH IN STANDARD INCH UNITS.
 - THE NEXT XX INDICATES THE NUMBER OF BLADES.
 - THE NEXT X INDICATES BLADE TUNGSTEN TYPE:
 - 1 = TUNGSTEN CARBIDE
 - THE NEXT X INDICATES THE MAINFRAME TYPE:
 - E = EXTENDED STAINLESS STEEL
 - S = STAINLESS STEEL
 - P = PAINTED STEEL
 - Z = EXTENDED PAINTED STEEL
 - THE NEXT X INDICATES THE TENSIONER OPTIONS:
 - 0 = NO TENSIONER
 - S = STAINLESS STEEL
 - T = STEEL
 - THE LAST X INDICATES THE DOOR OPTIONS:
 - 0 = NO DOOR
 - D = MILD STEEL
 - S = STAINLESS STEEL

Copyright 2019 Martin Engineering. All rights reserved. Covered by U.S. and foreign patents pending and issued. ® and TM indicate trademarks of Martin Engineering.

MARTIN ENGINEERING
NEPONSET, IL USA

NO.	DESCRIPTION	ECN	DATE	BY	SALES DRAWING	S50130
B	ADDED PAINTED STEEL MAINFRAME & TENSIONER OPTIONS TO CHARTS & NOTE: P = PAINTED STEEL, Z = EXTENDED PAINTED & T = STEEL (PR13975)		03/31/20	JAH		
A	ADDED EXTENDED LENGTH MAINFRAME & DOOR OPTIONS	15476	10/21/19	JAH		
REVISION						SCALE 1/4