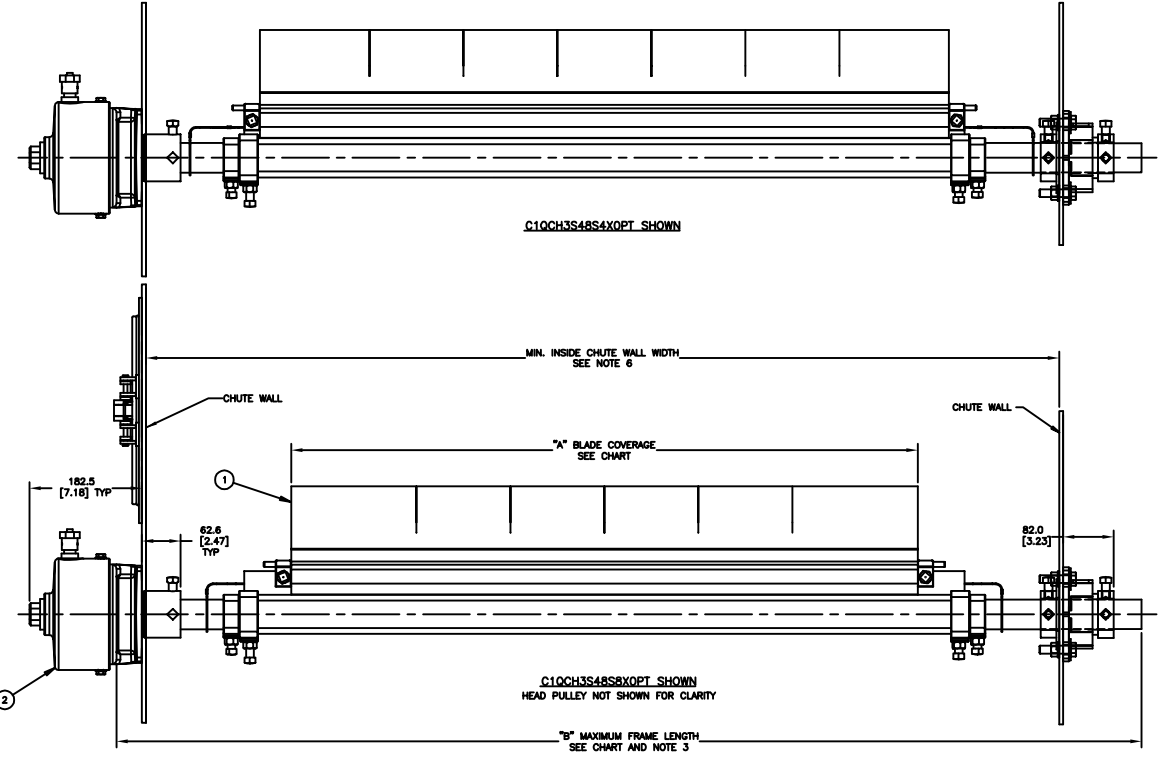
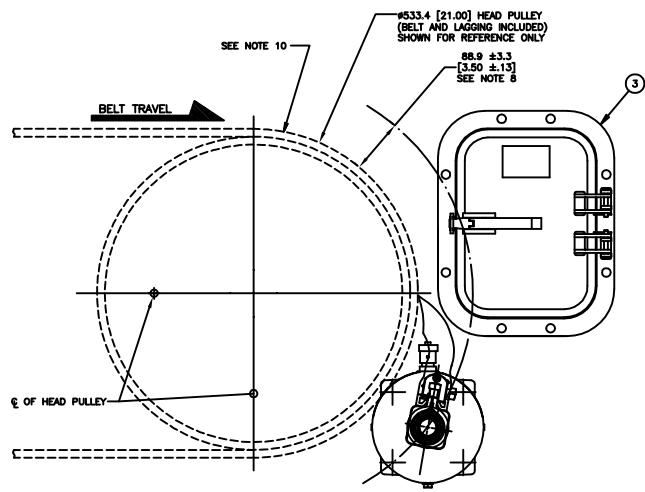
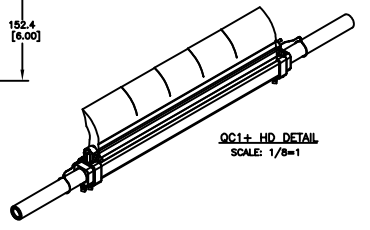
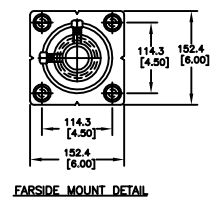
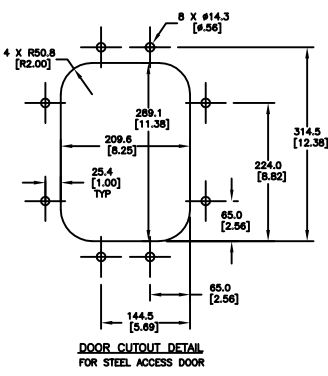
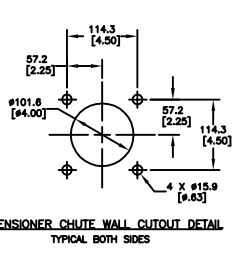


PART NUMBER	BELT WIDTH	DIMENSION "A" BLADE COVERAGE	DIMENSION "B" FRAME LENGTH
C1QCH3S18S8X0PX	457.2 (18.00)	254.0 (10.00)	863.6 (34.00)
C1QCH3S18S4X0PX	457.2 (18.00)	304.8 (12.00)	863.6 (34.00)
C1QCH3S18S0X0PX	457.2 (18.00)	355.6 (14.00)	863.6 (34.00)
C1QCH3S24S8X0PX	609.6 (24.00)	406.4 (16.00)	1168.4 (46.00)
C1QCH3S24S4X0PX	609.6 (24.00)	457.2 (18.00)	1168.4 (46.00)
C1QCH3S24S0X0PX	609.6 (24.00)	508.0 (20.00)	1168.4 (46.00)
C1QCH3S30S8X0PX	762.0 (30.00)	558.8 (22.00)	1320.8 (52.00)
C1QCH3S30S4X0PX	762.0 (30.00)	609.6 (24.00)	1320.8 (52.00)
C1QCH3S30S0X0PX	762.0 (30.00)	660.4 (26.00)	1320.8 (52.00)
C1QCH3S36S8X0PX	914.4 (36.00)	711.2 (28.00)	1524.0 (60.00)
C1QCH3S36S4X0PX	914.4 (36.00)	762.0 (30.00)	1524.0 (60.00)
C1QCH3S36S0X0PX	914.4 (36.00)	812.8 (32.00)	1524.0 (60.00)
C1QCH3S42S8X0PX	1066.8 (42.00)	863.6 (34.00)	1828.8 (72.00)
C1QCH3S42S4X0PX	1066.8 (42.00)	914.4 (36.00)	1828.8 (72.00)
C1QCH3S42S0X0PX	1066.8 (42.00)	965.2 (38.00)	1828.8 (72.00)
C1QCH3S48S8X0PX	1219.2 (48.00)	1016.0 (40.00)	1981.2 (78.00)
C1QCH3S48S4X0PX	1219.2 (48.00)	1066.8 (42.00)	1981.2 (78.00)
C1QCH3S48S0X0PX	1219.2 (48.00)	1117.6 (44.00)	1981.2 (78.00)

- NOTES:
- ALL DIMENSIONS ARE GIVEN IN MILLIMETERS [INCHES] AND ARE FOR REFERENCE ONLY.
 - IN THE C1QCH3X PART NUMBER THE FIRST SIXX INDICATES THE BELT WIDTH IN STANDARD INCH UNITS FOR BELT WIDTHS 18 THRU 48.
 - THE NEXT SIXX INDICATES THE LESS BELT WIDTH BLADE COVERAGE IN STANDARD INCH UNITS.
 - THE FOURTH X IN THE PART NUMBER INDICATES THE BLADE COLOR:
 - THE FIFTH X INDICATES IF THE BLADE IS SOLID OR SEGMENTED:
 - THE LAST X INDICATES THE TENSIONER OPTIONS:
- 0 = NO BLADE
 S4 = 4 LESS BELT WIDTH
 S6 = 6 LESS BELT WIDTH
 S8 = 8 LESS BELT WIDTH
 B = BROWN
 T = TAN
 G = GREEN
 N = NAVY BLUE
 O = ORANGE
 C = YELLOW WITH CERAMIC BEADS
 0 = SEGMENTED BLADE / NO BLADE
 1 = SOLID BLADE / CERAMIC BLADE ONLY AVAILABLE AS SOLID
 P IN THE PART NUMBER INDICATES A PAINTED STEEL MAINFRAME
 BLANK = NO TENSIONER
 S = TWIST TENSIONER (38850)
 C = SPRING TENSIONER (38160)
 O = STEEL TWIST TENSIONER (31443)
 ADD AN L TO THE END OF THE PART NUMBER TO GET A CLEANER LESS THE TORQUE TUBES.
 3) THE FRAME IS ADJUSTABLE TO DESIRED LENGTH.
 4) FOR BELT WIDTHS 54 AND OVER A DUAL TWIST TENSIONER ASSEMBLY IS REQUIRED (P/N 38850-2). SEE S50129-TD.
 5) WHERE EXTREME OR UNUSUAL CONDITIONS EXIST, OR SPECIAL MAINFRAME LENGTHS ARE REQUIRED CONTACT MARTIN ENGINEERING.
 6) INSIDE CHUTE WALL WIDTH MUST BE A MINIMUM OF BELT WIDTH PLUS 127.0 [5.00] IN ORDER FOR CLEANER TO BE INSTALLED WITH TENSIONERS BOLTED DIRECTLY TO CHUTE WALL.
 7) REFER TO OPERATOR'S MANUALS M3837 AND M4124 FOR INSTALLATION INSTRUCTIONS.
 8) CLEANER CAN BE LOCATED ANYWHERE ALONG THE ARC, AS LONG AS THE MAINFRAME IS OUT OF MATERIAL TRAJECTORY AND THE BLADE TIPS ARE BELOW THE HORIZONTAL CENTERLINE OF THE HEAD PULLEY.
 9) THE QC1+ HD PRE-CLEANER BLADE IS DESIGNED TO REMOVE THE INITIAL CARRYBACK ONLY. DO NOT OVER TENSION.
 10) THE QC1+ HD PRE-CLEANER BLADE IS DESIGNED FOR HEAD PULLEYS WITH A DIAMETER OF 406.4 [16.00] TO 558.8 [22.00].
 11) BLADE COVERAGE IS LESS THAN BELT WIDTH, DUE TO POSSIBLE MISTRACKING OR DAMAGED EDGES OF THE BELT.

ASSEMBLY PART NO.	COLOR
C1QCH3SXXSXXPX	BROWN
C1QCH3SXXSXXTPX	TAN
C1QCH3SXXSXXGPX	GREEN
C1QCH3SXXSXXNPX	NAVY BLUE
C1QCH3SXXSXXOPX	ORANGE
C1QCH3SXXSXXCPX	YELLOW WITH CERAMIC BEADS



© Copyright 2010 Martin Engineering. All rights reserved. Covered by U.S. and foreign patents pending and issued. ® and TM indicate trademarks of Martin Engineering.

MARTIN ENGINEERING
NEPONSET, IL USA

REV	DESCRIPTION	DATE	BY	SALES DRAWING	DATE	BY
B	ADDED STEEL TENS OPTN (31443) TO NOTES	10/04	02/06/21	JH		
A	UPDATED P/N NOTE	10/04	10/04/20	JH		
NO.	DESCRIPTION	ECN	DATE	BY	SALES DRAWING	
PR13753	REVISION					

TITLE: MARTIN QC1+ HD 3-PC ASM WITH TWIST TENSIONER ASM & STEEL DOOR
 228.6 [9] X 304.8 [12]
 DATE: 09/26/18
 DES: JRP
 APPR: JRP
 DATE: 09/26/18
 SCALE: 1/4