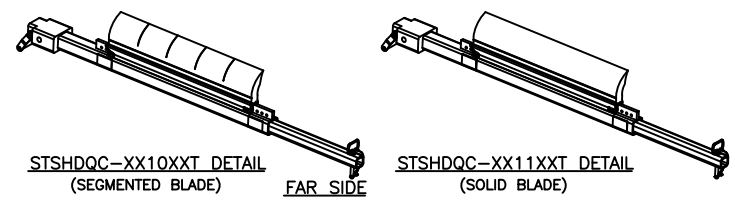


PART NUMBER	BELT WIDTH	DIMENSION "A" BLADE WIDTH	DIMENSION "B" FRAME LENGTH	DIMENSION "C" OVERALL LENGTH	PART NO. ITEM 2	PART NO. ITEM 3
STSHDQC-241X16XXT	24.00 [600]	16.00 [406]	38.00 [965]	57.00 [1448]	39100-HDS1	39376-24
STSHDQC-241X18XXT	24.00 [600]	18.00 [457]	38.00 [965]	57.00 [1448]	39100-HDS1	39376-24
STSHDQC-241X22XXT	24.00 [600]	22.00 [559]	38.00 [965]	57.00 [1448]	39100-HDS1	39376-24
STSHDQC-301X22XXT	30.00 [750]	22.00 [559]	44.00 [1118]	63.00 [1600]	39100-HDS1	39376-30
STSHDQC-301X24XXT	30.00 [750]	24.00 [610]	44.00 [1118]	63.00 [1600]	39100-HDS1	39376-30
STSHDQC-301X28XXT	30.00 [750]	28.00 [711]	44.00 [1118]	63.00 [1600]	39100-HDS1	39376-30
STSHDQC-361X28XXT	36.00 [900]	28.00 [711]	50.00 [1270]	69.00 [1753]	39100-HDS1	39376-36
STSHDQC-361X30XXT	36.00 [900]	30.00 [762]	50.00 [1270]	69.00 [1753]	39100-HDS1	39376-36
STSHDQC-361X34XXT	36.00 [900]	34.00 [864]	50.00 [1270]	69.00 [1753]	39100-HDS1	39376-36
STSHDQC-421X34XXT	42.00 [1050]	34.00 [864]	56.00 [1422]	75.00 [1905]	39100-HDS1	39376-42
STSHDQC-421X36XXT	42.00 [1050]	36.00 [914]	56.00 [1422]	75.00 [1905]	39100-HDS1	39376-42
STSHDQC-421X40XXT	42.00 [1050]	40.00 [1016]	56.00 [1422]	75.00 [1905]	39100-HDS1	39376-42
STSHDQC-481X40XXT	48.00 [1200]	40.00 [1016]	62.00 [1575]	81.00 [2057]	39100-HDS1	39376-48
STSHDQC-481X42XXT	48.00 [1200]	42.00 [1067]	62.00 [1575]	81.00 [2057]	39100-HDS1	39376-48
STSHDQC-481X46XXT	48.00 [1200]	46.00 [1168]	62.00 [1575]	81.00 [2057]	39100-HDS1	39376-48
STSHDQC-541X46XXT	54.00 [1350]	46.00 [1168]	68.00 [1727]	87.00 [2210]	39100-HDS2	39376-54
STSHDQC-541X48XXT	54.00 [1350]	48.00 [1219]	68.00 [1727]	87.00 [2210]	39100-HDS2	39376-54
STSHDQC-541X52XXT	54.00 [1350]	52.00 [1321]	68.00 [1727]	87.00 [2210]	39100-HDS2	39376-54
STSHDQC-601X52XXT	60.00 [1500]	52.00 [1321]	74.00 [1880]	93.00 [2362]	39100-HDS2	39376-60
STSHDQC-601X54XXT	60.00 [1500]	54.00 [1372]	74.00 [1880]	93.00 [2362]	39100-HDS2	39376-60
STSHDQC-601X58XXT	60.00 [1500]	58.00 [1473]	74.00 [1880]	93.00 [2362]	39100-HDS2	39376-60
STSHDQC-661X58XXT	66.00 [1650]	58.00 [1473]	80.00 [2032]	99.00 [2515]	39100-HDS2	39376-66
STSHDQC-661X60XXT	66.00 [1650]	60.00 [1524]	80.00 [2032]	99.00 [2515]	39100-HDS2	39376-66
STSHDQC-661X64XXT	66.00 [1650]	64.00 [1626]	80.00 [2032]	99.00 [2515]	39100-HDS2	39376-66
STSHDQC-721X64XXT	72.00 [1800]	64.00 [1626]	86.00 [2184]	105.00 [2667]	39100-HDS2	39376-72
STSHDQC-721X66XXT	72.00 [1800]	66.00 [1676]	86.00 [2184]	105.00 [2667]	39100-HDS2	39376-72
STSHDQC-721X70XXT	72.00 [1800]	70.00 [1778]	86.00 [2184]	105.00 [2667]	39100-HDS2	39376-72
STSHDQC-781X70XXT	78.00 [2000]	70.00 [1778]	92.00 [2337]	111.00 [2819]	39100-HDS2	39376-78
STSHDQC-781X72XXT	78.00 [2000]	72.00 [1829]	92.00 [2337]	111.00 [2819]	39100-HDS2	39376-78
STSHDQC-781X76XXT	78.00 [2000]	76.00 [1930]	92.00 [2337]	111.00 [2819]	39100-HDS2	39376-78
STSHDQC-841X76XXT	84.00 [2100]	76.00 [1930]	98.00 [2489]	117.00 [2972]	39100-HDS2	39376-84
STSHDQC-841X78XXT	84.00 [2100]	78.00 [1981]	98.00 [2489]	117.00 [2972]	39100-HDS2	39376-84
STSHDQC-841X82XXT	84.00 [2100]	82.00 [2083]	98.00 [2489]	117.00 [2972]	39100-HDS2	39376-84
STSHDQC-901X82XXT	90.00 [2250]	82.00 [2083]	104.00 [2642]	123.00 [3124]	39100-HDS2	39376-90
STSHDQC-901X84XXT	90.00 [2250]	84.00 [2134]	104.00 [2642]	123.00 [3124]	39100-HDS2	39376-90
STSHDQC-901X88XXT	90.00 [2250]	88.00 [2235]	104.00 [2642]	123.00 [3124]	39100-HDS2	39376-90
STSHDQC-961X88XXT	96.00 [2400]	88.00 [2235]	110.00 [2794]	129.00 [3277]	39100-HDS2	39376-96
STSHDQC-961X90XXT	96.00 [2400]	90.00 [2286]	110.00 [2794]	129.00 [3277]	39100-HDS2	39376-96
STSHDQC-961X94XXT	96.00 [2400]	94.00 [2388]	110.00 [2794]	129.00 [3277]	39100-HDS2	39376-96

ASSEMBLY PART NO.	COLOR
STSHDQC-XX1XXX	ORANGE
STSHDQC-XX1XXXBRT	BROWN
STSHDQC-XX1XXXCLT	TAN
STSHDQC-XX1XXXGRT	GREEN
STSHDQC-XX1XXXNBT	NAVY BLUE
STSHDQC-XX1XXXCYT *	YELLOW W/BEADS

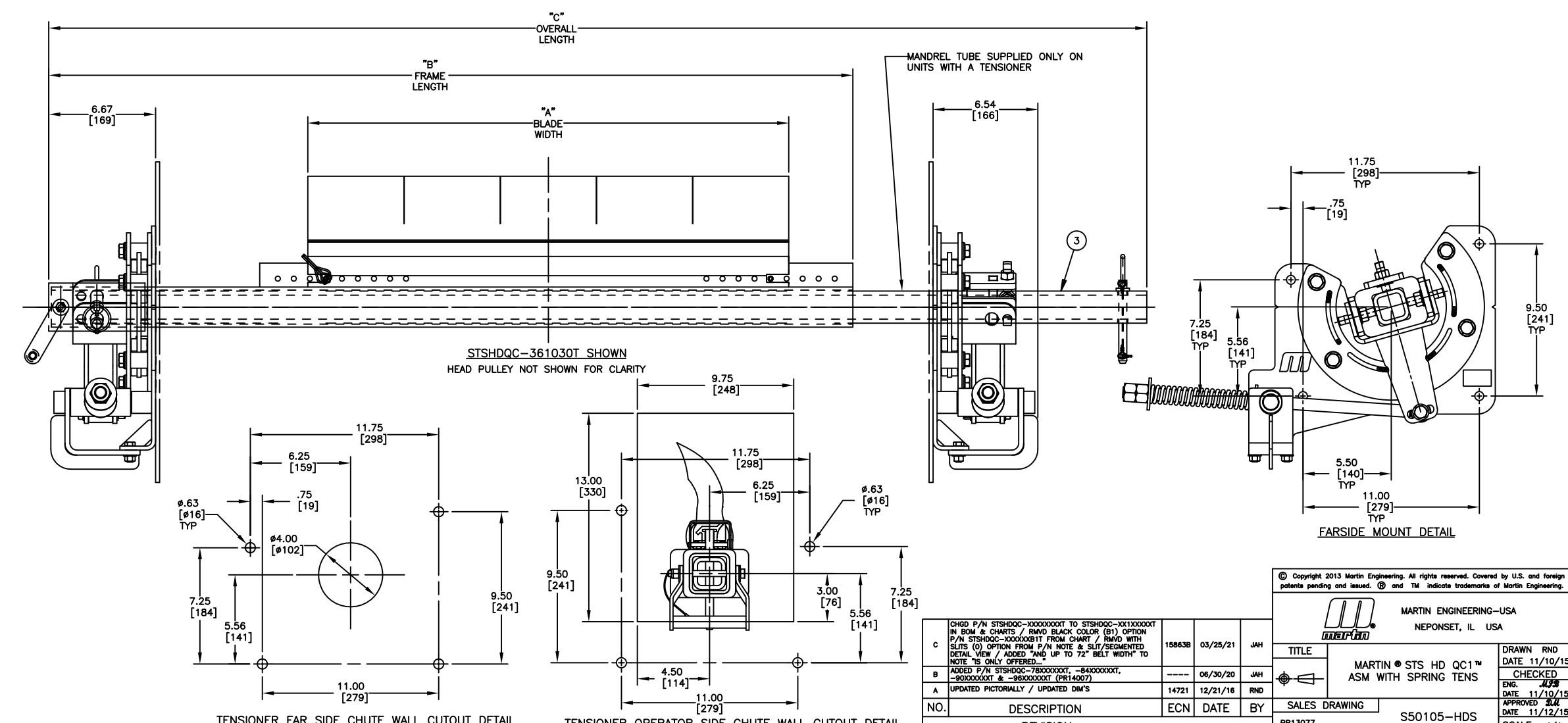
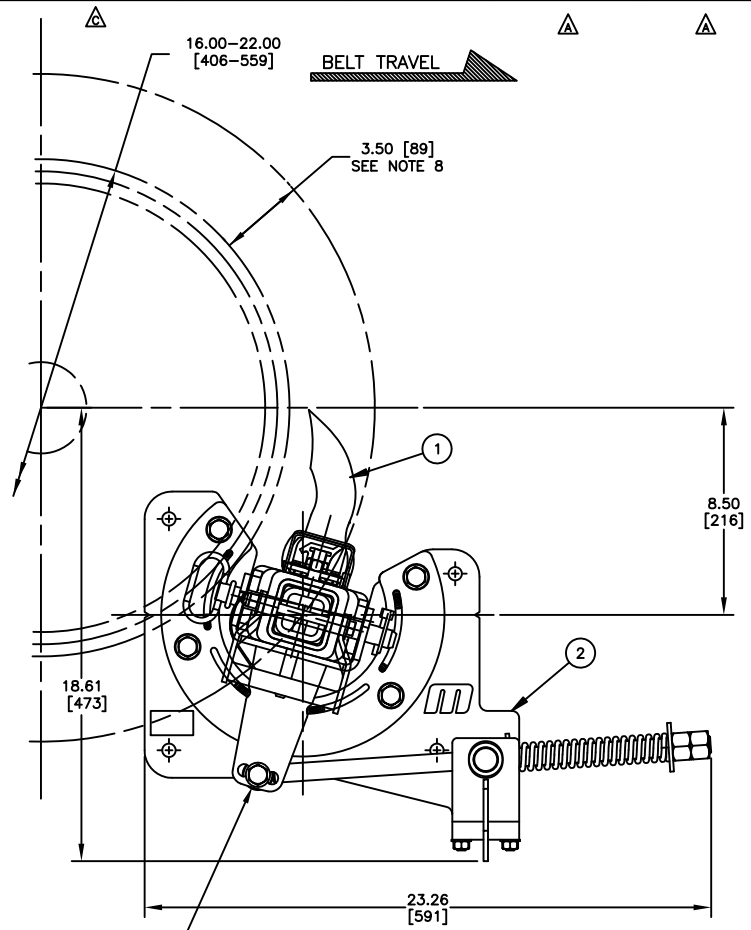
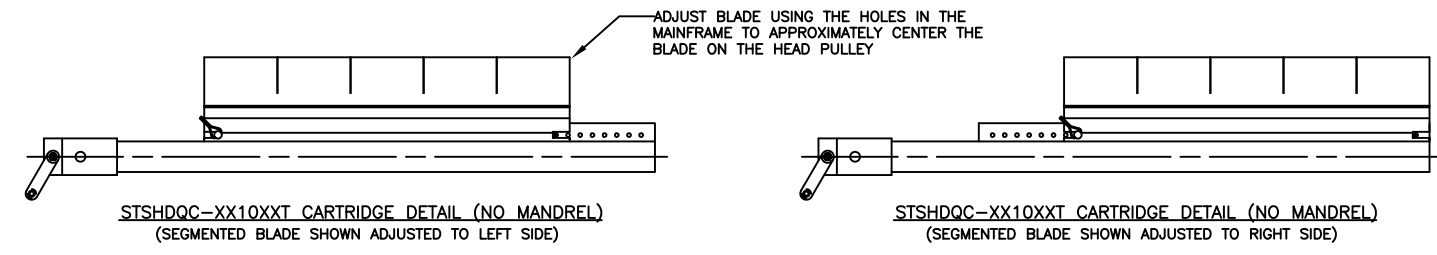
\* = ONLY OFFERED IN SOLID (11) AND UP TO 72" BELT WIDTH

OPERATORS SIDE



ITEM	QTY.	DESCRIPTION	PART NUMBER
1	1	MARTIN STS HD QC1™ MAINFRAME ASM	STSHDQC-XX1XXXXT
2	1	STS HD SPRING TENSIONER ASM	SEE CHART
3	1	STS HD QC1™ MANDREL SS	SEE CHART

- NOTES:
- 1) ALL DIMENSIONS ARE GIVEN IN INCHES [MM] AND ARE FOR REFERENCE ONLY. IN THE STSHDQC-XX1XXXXT P/N THE FIRST TWO XX'S INDICATE BELT WIDTH, THE 1X INDICATES BLADE TYPE:
    - 10 = BLADE WITH SEGMENTS OR 11 = BLADE WITHOUT SEGMENTS
    - THE NEXT TWO XX'S INDICATE BLADE WIDTH.
    - THE NEXT TWO XX'S INDICATE THE BLADE COLOR (SEE BLADE COLOR CHART).
    - THE T INDICATES IF A TENSIONER/MANDREL IS INCLUDED.
  - 2) EXAMPLES:
    - STSHDQC-361130T = 36" BELT WIDTH, 30" BLADE W/O SEGMENTS, WITH A SPRING TENSIONER/MANDREL.
    - STSHDQC-361128 = 36" BELT WIDTH, 28" BLADE W/O SEGMENTS, WITHOUT A SPRING TENSIONER/MANDREL.
  - 3) THE PRE-CLEANER BLADE IS DESIGNED FOR HEAD PULLEY'S WITH A MINIMUM EFFECTIVE DIAMETER OF 16.00 [400].
  - 4) CLEANER IS SHOWN IN RECOMMENDED WORKING POSITION.
  - 5) WHERE EXTREME OR UNUSUAL CONDITIONS EXIST, OR SPECIAL MAINFRAME LENGTHS ARE REQUIRED CONTACT MARTIN ENGINEERING.
  - 6) SPRING TENSIONER MAY BE BOLTED OR WELDED IN PLACE. MARTIN ENGINEERING RECOMMENDS BOLTING WHEN APPLICABLE FOR EASIER MAINTENANCE AND ACCESSIBILITY.
  - 7) REFER TO OPERATOR'S MANUAL M4043 FOR COMPLETE INSTALLATION INSTRUCTIONS.
  - 8) CLEANER CAN BE LOCATED ANYWHERE ALONG THE ARC, AS LONG AS THE MAINFRAME IS OUT OF MATERIAL TRAJECTORY AND THE BLADE TIPS ARE BELOW THE HORIZONTAL CENTERLINE OF THE HEAD PULLEY.
  - 9) THE HD QC1 PRE-CLEANER BLADES ARE DESIGNED TO REMOVE HEAVY CARRYBACK ONLY. DO NOT OVERTENSION.
  - 10) BLADE COVERAGE IS LESS THAN BELT WIDTH, DUE TO POSSIBLE MISTRACKING OR DAMAGED EDGES OF THE BELT.



© Copyright 2013 Martin Engineering. All rights reserved. Covered by U.S. and foreign patents pending and issued. ® and ™ indicate trademarks of Martin Engineering.

MARTIN ENGINEERING-USA  
NEPONSET, IL USA

CHGD P/N STSHDQC-XXXXXXXT TO STSHDQC-XX1XXXXXT IN BOM & CHARTS / RWD BLACK COLOR (BT) OPTION P/N STSHDQC-XXXXXXXT FROM CHART / RWD WITH SLITS (O) OPTION FROM P/N NOTE & SLIT/SEGMENTED DETAIL VIEW / ADDED "AND UP TO 72" BELT WIDTH" TO NOTE "IS ONLY OFFERED"	158638	03/25/21	JAH
B ADDED P/N STSHDQC-78XXXXXT, -84XXXXXT, -90XXXXXT & -96XXXXXT (PR14007)		06/30/20	JAH
A UPDATED PICTORIAL / UPDATED DIM'S	14721	12/21/16	RND

NO.	DESCRIPTION	ECN	DATE	BY
PR13077	REVISION			

TITLE	MARTIN STS HD QC1™ ASM WITH SPRING TENS	DRAWN RND	DATE 11/10/15
SALES DRAWING	S50105-HDS	CHECKED	DATE 11/10/15
APPROVED		SCALE	1/4