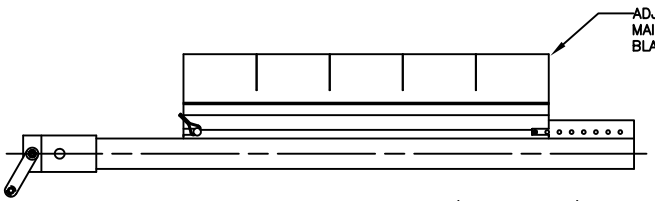
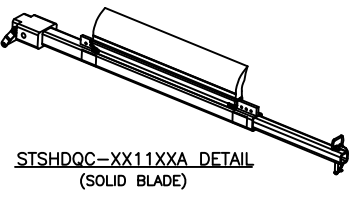
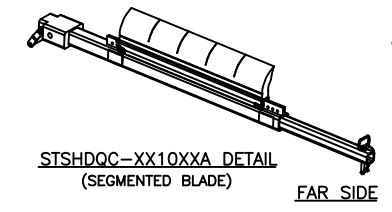


PART NUMBER	BELT WIDTH	DIMENSION "A" BLADE WIDTH	DIMENSION "B" FRAME LENGTH	DIMENSION "C" OVERALL LENGTH	PART NO. ITEM 3
STSHDQC-241X16XXA	24.00 [600]	16.00 [406]	38.00 [965]	57.00 [1448]	39376-24
STSHDQC-241X18XXA	24.00 [600]	18.00 [457]	38.00 [965]	57.00 [1448]	39376-24
STSHDQC-241X22XXA	24.00 [600]	22.00 [559]	38.00 [965]	57.00 [1448]	39376-24
STSHDQC-301X22XXA	30.00 [750]	22.00 [559]	44.00 [1118]	63.00 [1600]	39376-30
STSHDQC-301X24XXA	30.00 [750]	24.00 [610]	44.00 [1118]	63.00 [1600]	39376-30
STSHDQC-301X28XXA	30.00 [750]	28.00 [711]	44.00 [1118]	63.00 [1600]	39376-30
STSHDQC-361X28XXA	36.00 [900]	28.00 [711]	50.00 [1270]	69.00 [1753]	39376-36
STSHDQC-361X30XXA	36.00 [900]	30.00 [762]	50.00 [1270]	69.00 [1753]	39376-36
STSHDQC-361X34XXA	36.00 [900]	34.00 [864]	50.00 [1270]	69.00 [1753]	39376-36
STSHDQC-421X34XXA	42.00 [1050]	34.00 [864]	56.00 [1422]	75.00 [1905]	39376-42
STSHDQC-421X36XXA	42.00 [1050]	36.00 [914]	56.00 [1422]	75.00 [1905]	39376-42
STSHDQC-421X40XXA	42.00 [1050]	40.00 [1016]	56.00 [1422]	75.00 [1905]	39376-42
STSHDQC-481X40XXA	48.00 [1200]	40.00 [1016]	62.00 [1575]	81.00 [2057]	39376-48
STSHDQC-481X42XXA	48.00 [1200]	42.00 [1067]	62.00 [1575]	81.00 [2057]	39376-48
STSHDQC-481X46XXA	48.00 [1200]	46.00 [1168]	62.00 [1575]	81.00 [2057]	39376-48
STSHDQC-541X46XXA	54.00 [1350]	46.00 [1168]	68.00 [1727]	87.00 [2210]	39376-54
STSHDQC-541X48XXA	54.00 [1350]	48.00 [1219]	68.00 [1727]	87.00 [2210]	39376-54
STSHDQC-541X52XXA	54.00 [1350]	52.00 [1321]	68.00 [1727]	87.00 [2210]	39376-54
STSHDQC-601X52XXA	60.00 [1500]	52.00 [1321]	74.00 [1880]	93.00 [2362]	39376-60
STSHDQC-601X54XXA	60.00 [1500]	54.00 [1372]	74.00 [1880]	93.00 [2362]	39376-60
STSHDQC-601X58XXA	60.00 [1500]	58.00 [1473]	74.00 [1880]	93.00 [2362]	39376-60
STSHDQC-661X58XXA	66.00 [1650]	58.00 [1473]	80.00 [2032]	99.00 [2515]	39376-66
STSHDQC-661X60XXA	66.00 [1650]	60.00 [1524]	80.00 [2032]	99.00 [2515]	39376-66
STSHDQC-661X64XXA	66.00 [1650]	64.00 [1626]	80.00 [2032]	99.00 [2515]	39376-66
STSHDQC-721X64XXA	72.00 [1800]	64.00 [1626]	86.00 [2184]	105.00 [2667]	39376-72
STSHDQC-721X66XXA	72.00 [1800]	66.00 [1676]	86.00 [2184]	105.00 [2667]	39376-72
STSHDQC-721X70XXA	72.00 [1800]	70.00 [1778]	86.00 [2184]	105.00 [2667]	39376-72
STSHDQC-781X70XXA	78.00 [2000]	70.00 [1778]	92.00 [2337]	111.00 [2819]	39376-78
STSHDQC-781X72XXA	78.00 [2000]	72.00 [1829]	92.00 [2337]	111.00 [2819]	39376-78
STSHDQC-781X76XXA	78.00 [2000]	76.00 [1930]	92.00 [2337]	111.00 [2819]	39376-78
STSHDQC-841X76XXA	84.00 [2100]	76.00 [1930]	98.00 [2489]	117.00 [2972]	39376-84
STSHDQC-841X78XXA	84.00 [2100]	78.00 [1981]	98.00 [2489]	117.00 [2972]	39376-84
STSHDQC-841X82XXA	84.00 [2100]	82.00 [2083]	98.00 [2489]	117.00 [2972]	39376-84
STSHDQC-901X82XXA	90.00 [2250]	82.00 [2083]	104.00 [2642]	123.00 [3124]	39376-90
STSHDQC-901X84XXA	90.00 [2250]	84.00 [2134]	104.00 [2642]	123.00 [3124]	39376-90
STSHDQC-901X88XXA	90.00 [2250]	88.00 [2235]	104.00 [2642]	123.00 [3124]	39376-90
STSHDQC-961X88XXA	96.00 [2400]	88.00 [2235]	110.00 [2794]	129.00 [3277]	39376-96
STSHDQC-961X90XXA	96.00 [2400]	90.00 [2286]	110.00 [2794]	129.00 [3277]	39376-96
STSHDQC-961X94XXA	96.00 [2400]	94.00 [2388]	110.00 [2794]	129.00 [3277]	39376-96

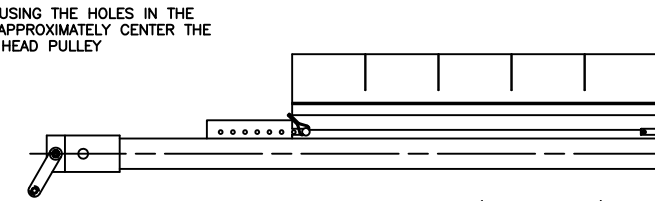
PART NUMBER	COLOR
STSHDQC-XX1XXXXA	ORANGE
STSHDQC-XX1XXXBRA	BROWN
STSHDQC-XX1XXXCLA	TAN
STSHDQC-XX1XXXGRA	GREEN
STSHDQC-XX1XXXNBA	NAVY BLUE
STSHDQC-XX1XXXCYA *	YELLOW W/BEADS

* = ONLY OFFERED IN SOLID (11) AND UP TO 72" BELT WIDTH

OPERATORS SIDE



STSHDQC-XX10XXA CARTRIDGE DETAIL (NO MANDREL)
(SEGMENTED BLADE SHOWN ADJUSTED TO LEFT SIDE)



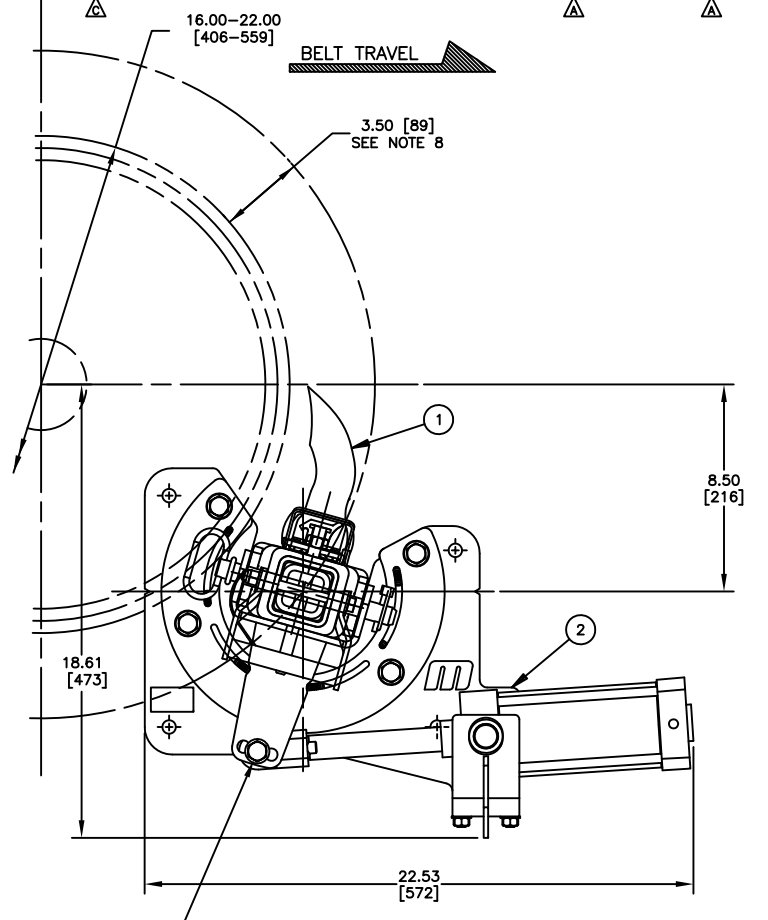
STSHDQC-XX10XXA CARTRIDGE DETAIL (NO MANDREL)
(SEGMENTED BLADE SHOWN ADJUSTED TO RIGHT SIDE)

ADJUST BLADE USING THE HOLES IN THE MAINFRAME TO APPROXIMATELY CENTER THE BLADE ON THE HEAD PULLEY

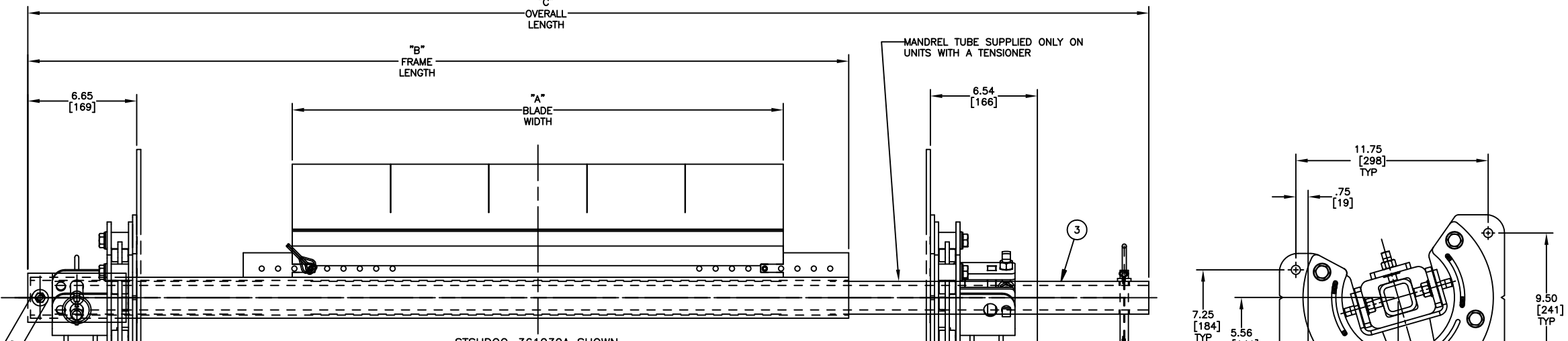
ITEM	QTY.	DESCRIPTION	PART NUMBER
1	1	MARTIN STS HD QC1™ MAINFRAME ASM	STSHDQC-XX1XXXXA
2	1	STS HD AIR CYLINDER TENSIONER	39100-HDA
3	1	STS HD QC1™ MANDREL SS	SEE CHART
4	1	AIR CYLINDER PIPING/CONTROL KIT	32181

NS = NOT SHOWN

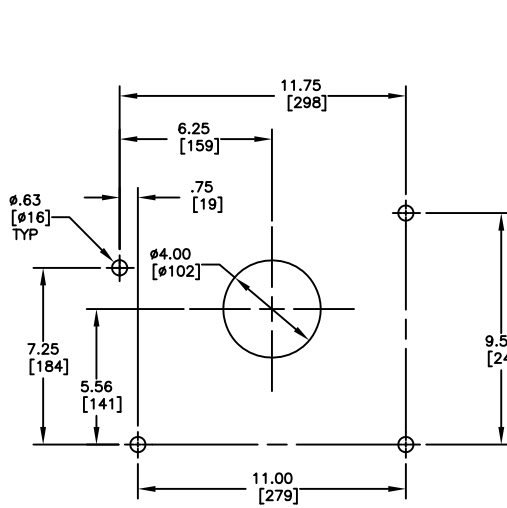
- NOTES:
- 1) ALL DIMENSIONS ARE GIVEN IN INCHES [MM] AND ARE FOR REFERENCE ONLY. IN THE STSHDQC-XX1XXXXA P/N THE FIRST TWO XX'S INDICATE BELT WIDTH, THE 1X INDICATES BLADE TYPE:
10 = BLADE WITH SEGMENTS OR 11 = BLADE WITHOUT SEGMENTS
THE NEXT TWO XX'S INDICATE BLADE WIDTH.
THE NEXT TWO XX'S INDICATE THE BLADE COLOR (SEE BLADE COLOR CHART).
THE X INDICATES IF A TENSIONER/MANDREL IS INCLUDED.
EXAMPLES:
STSHDQC-361130A = 36" BELT WIDTH, 30" BLADE W/O SEGMENTS, WITH AN AIR CYLINDER TENSIONER/MANDREL.
STSHDQC-361128 = 36" BELT WIDTH, 28" BLADE W/O SEGMENTS, WITHOUT AN AIR CYLINDER TENSIONER/MANDREL.
 - 2) THE PRE-CLEANER BLADE IS DESIGNED FOR HEAD PULLEY'S WITH A MINIMUM EFFECTIVE DIAMETER OF 16.00 [400].
 - 3) CLEANER IS SHOWN IN RECOMMENDED WORKING POSITION.
 - 4) WHERE EXTREME OR UNUSUAL CONDITIONS EXIST, OR SPECIAL MAINFRAME LENGTHS ARE REQUIRED CONTACT MARTIN ENGINEERING.
 - 5) AIR CYLINDER TENSIONER MAY BE BOLTED OR WELDED IN PLACE. MARTIN ENGINEERING RECOMMENDS BOLTING WHEN APPLICABLE FOR EASIER MAINTENANCE AND ACCESSIBILITY.
 - 6) REFER TO OPERATOR'S MANUAL M4043 FOR COMPLETE INSTALLATION INSTRUCTIONS.
 - 7) CLEANER CAN BE LOCATED ANYWHERE ALONG THE ARC, AS LONG AS THE MAINFRAME IS OUT OF MATERIAL TRAJECTORY AND THE BLADE TIPS ARE BELOW THE HORIZONTAL CENTERLINE OF THE HEAD PULLEY.
 - 8) THE HD QC1 PRE-CLEANER BLADES ARE DESIGNED TO REMOVE HEAVY CARRYBACK ONLY. DO NOT OVERTENSION.
 - 9) BLADE COVERAGE IS LESS THAN BELT WIDTH, DUE TO POSSIBLE MISTRACKING OR DAMAGED EDGES OF THE BELT.



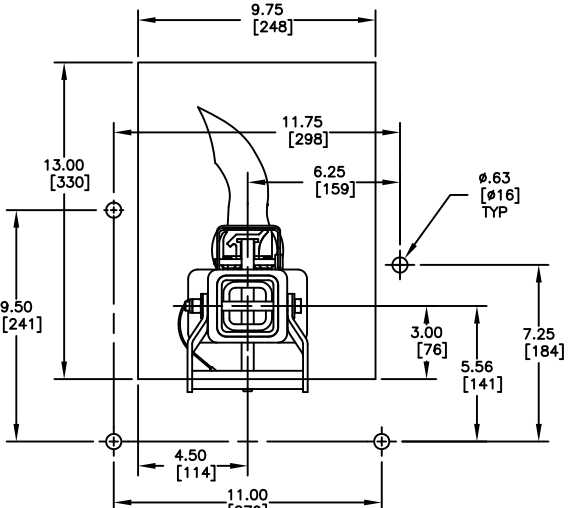
ADJUST TENSIONER SO THE BLADE IS JUST OFF THE BELT USING THE HOLES IN THE TENSIONER.



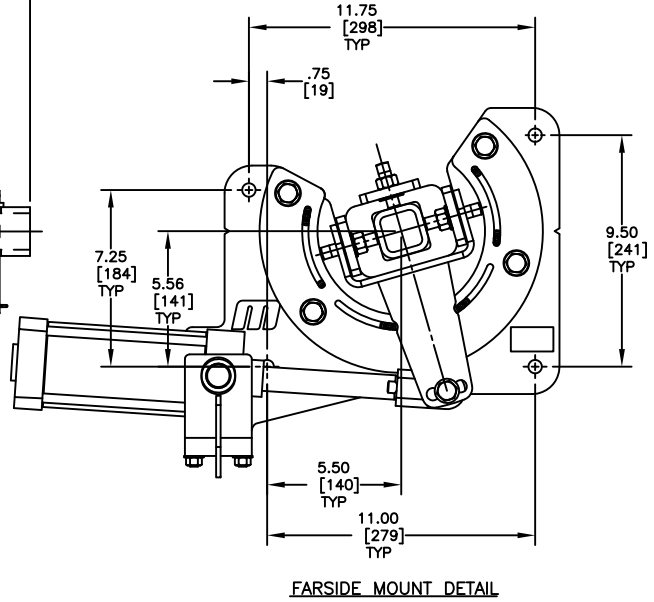
STSHDQC-361030A SHOWN
HEAD PULLEY NOT SHOWN FOR CLARITY



TENSIONER FAR SIDE CHUTE WALL CUTOUT DETAIL



TENSIONER OPERATOR SIDE CHUTE WALL CUTOUT DETAIL



FARSIDE MOUNT DETAIL

NO.	DESCRIPTION	ECN	DATE	BY
C	CHGD P/N STSHDQC-XXXXXXA TO STSHDQC-XX1XXXXA IN BOM & CHARTS / RWD BLACK COLOR (B1) OPTION P/N STSHDQC-XXXXXXA FROM CHART / RWD WITH SLITS (O) OPTION FROM P/N NOTE & SLIT/SEGMENTED DETAIL VIEW / ADDED "AND UP TO 72" BELT WIDTH" TO NOTE "IS ONLY OFFERED"	15863B	03/25/21	JAH
B	ADDED P/N STSHDQC-78XXXXXXA, -84XXXXXXA, -90XXXXXXA & -96XXXXXXA (PR14007)	---	06/30/20	JAH
A	UPDATED PICTORALLY / UPDATED DIM'S	14721	12/21/16	RND

Copyright 2013 Martin Engineering. All rights reserved. Covered by U.S. and foreign patents pending and issued. ® and ™ indicate trademarks of Martin Engineering.

MARTIN ENGINEERING-USA
NEPONSET, IL USA

TITLE	MARTIN STS HD QC1™ ASM WITH AIR CYLINDER TENS	DRAWN RND	DATE 10/20/15
SALES DRAWING	S50105-HDA	CHECKED	DATE 11/10/15
APPROVED		APPROVED	DATE 11/12/15
SCALE	1/4		