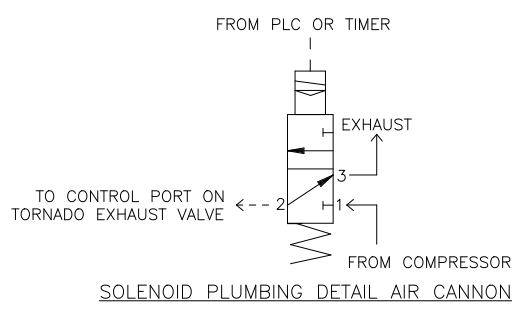
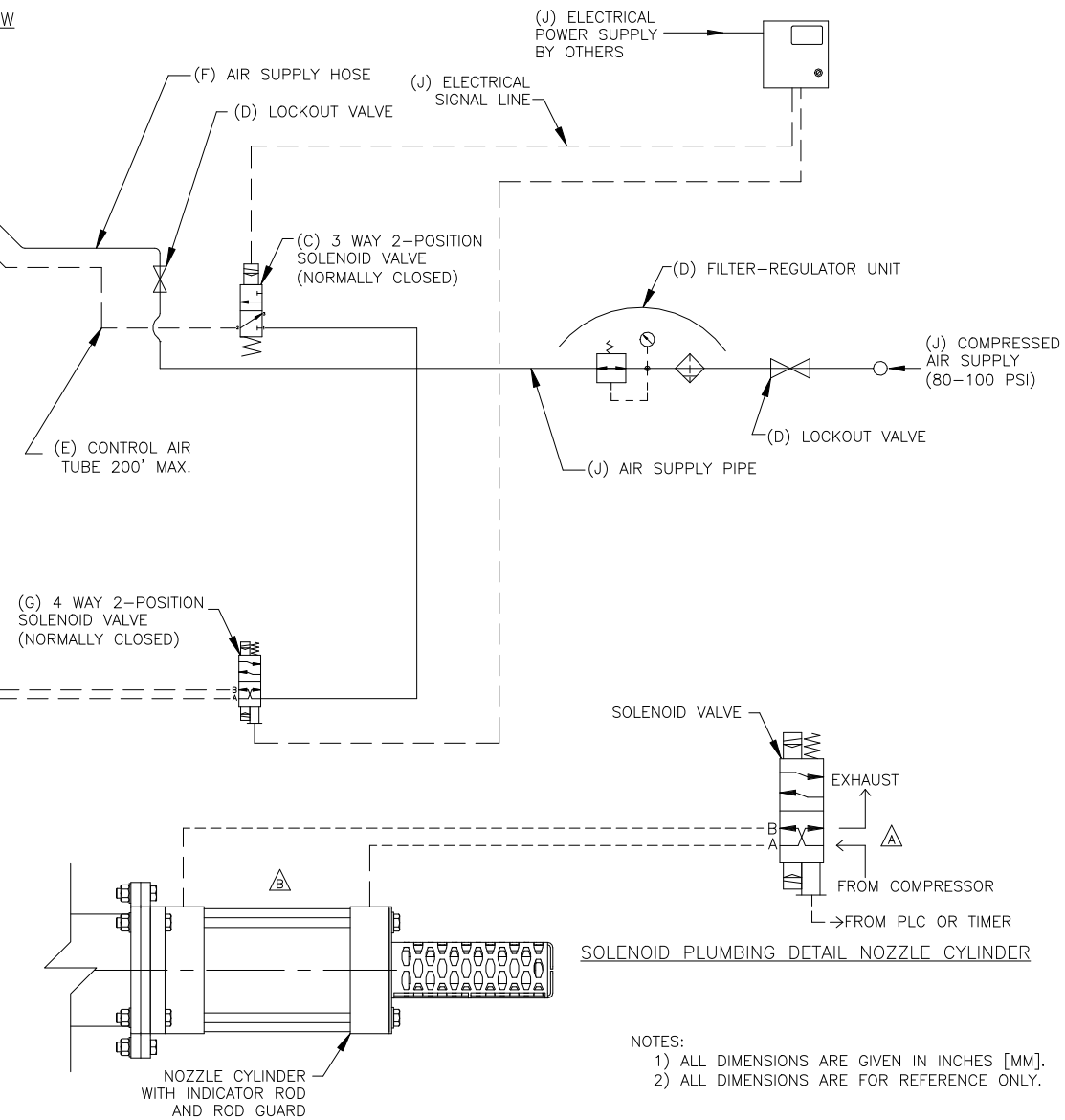
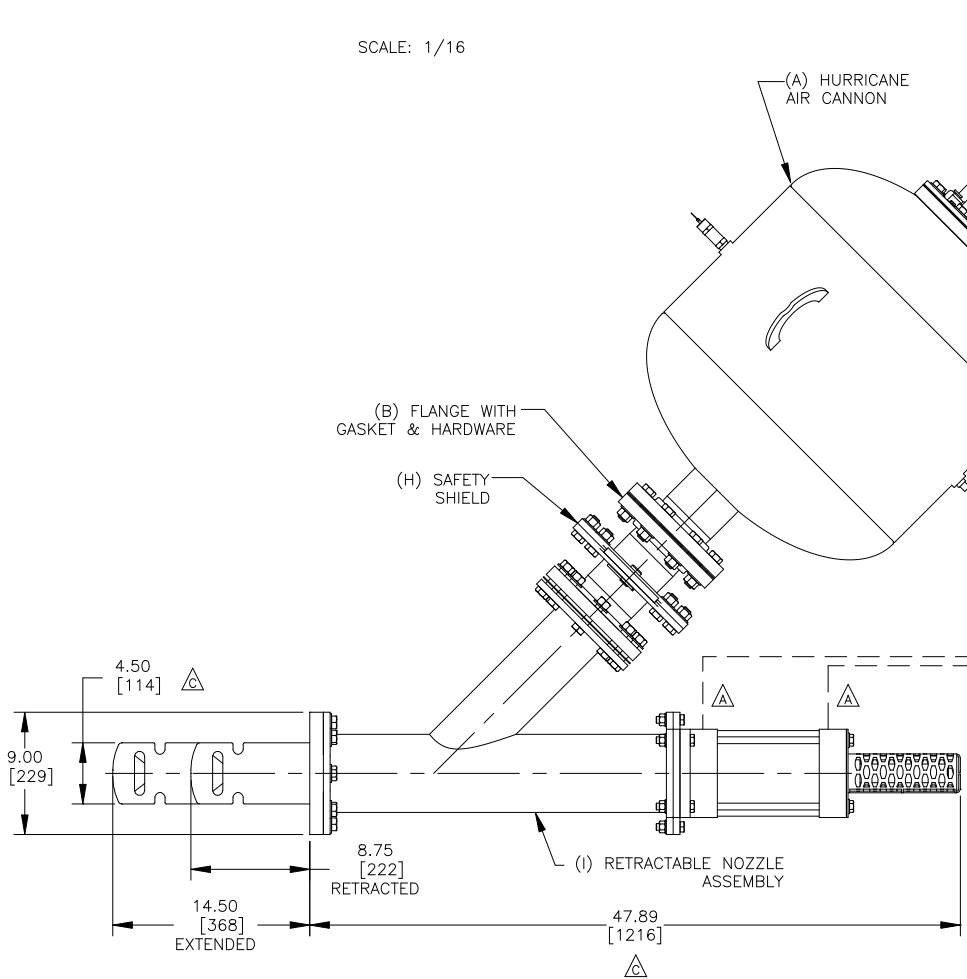
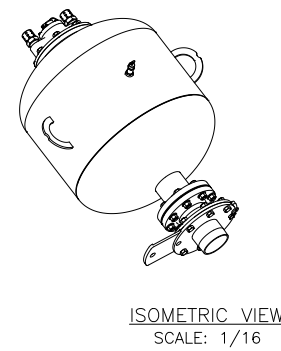
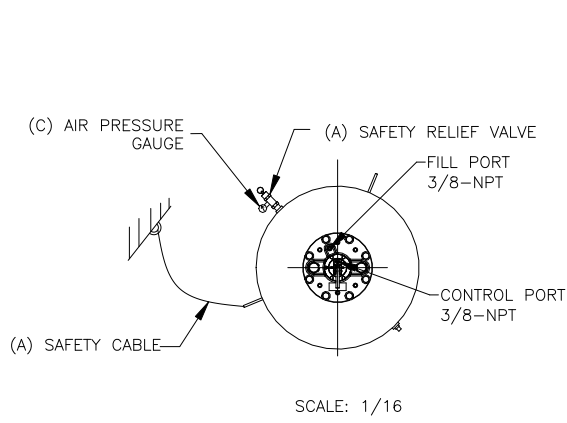


ITEM	DESCRIPTION	PART NUMBER
A	HURRICANE AIR CANNON ASM 150 LITER	38005-150
B	BBAC 4-NPT FLANGE W/GASKET & HARDWARE	25698-1
C	BBAC PLUMBING KIT 110V	37886-110
D	BBAC AIR FILL KIT 1/2-NPT	37890-XX
E	FILL CONTROL LINE KIT	33739
F	HOSE KIT WITH NIPPLE & RED BUSHING	37452
G	SOLENOID VALVE 4 WAY	39037
H	BB4 THERMO SAFETY SHIELD NPT END	38189-4
I	NOZZLE RETRACTABLE	38984
J	EQUIPMENT BY OTHERS	BY OTHERS



NOTES:  
 1) ALL DIMENSIONS ARE GIVEN IN INCHES [MM].  
 2) ALL DIMENSIONS ARE FOR REFERENCE ONLY.

© Copyright 2012 Martin Engineering. All rights reserved. Covered by U.S. and foreign patents pending and issued. ® and TM indicate trademarks of Martin Engineering.

**MARTIN ENGINEERING-USA**  
 NEPONSET, IL USA

NO.	DESCRIPTION	ECN	DATE	BY
D	CHGD P/N 25698 TO 25698-1 IN BOM	14992	12/21/17	JAH
C	UPDATED NOZZLE WLDMT & NOZZLE CYLINDER, CHGD DIM FROM Ø5.09 & 39.43 TO Ø4.50 & 47.89	14963	10/05/17	RND
B	UPDATED NOZZLE CYLINDER DETAIL PICTORIALLY BY ADDING CYLINDER AND SHOWING LINES TO CYLINDER	14673	10/04/16	RND
A	UPDATED SOLENOID LAYOUT / UPDATED NOZZLE CYLINDER DETAIL PICTORIALLY IN SOLENOID PLUMBING DETAIL	13859	02/24/14	JAH
AutoCAD		REVISION		

TITLE	DRAWN	DATE
HURRICANE AIR CANNON W/THERMO SAFETY SHIELD & RETRACTABLE NOZZLE PLUMBING ARRANGEMENT	MJB	07/10/12
SALES DRAWING	MD843	07/10/12
APPROVED	JAH	07/10/12
S50098		SCALE 1 = 1