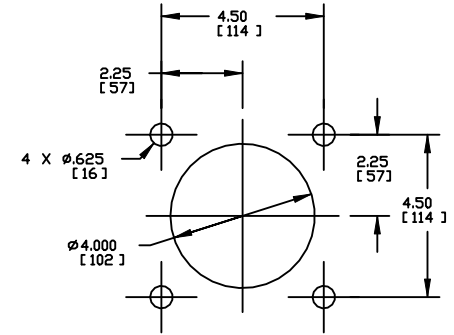
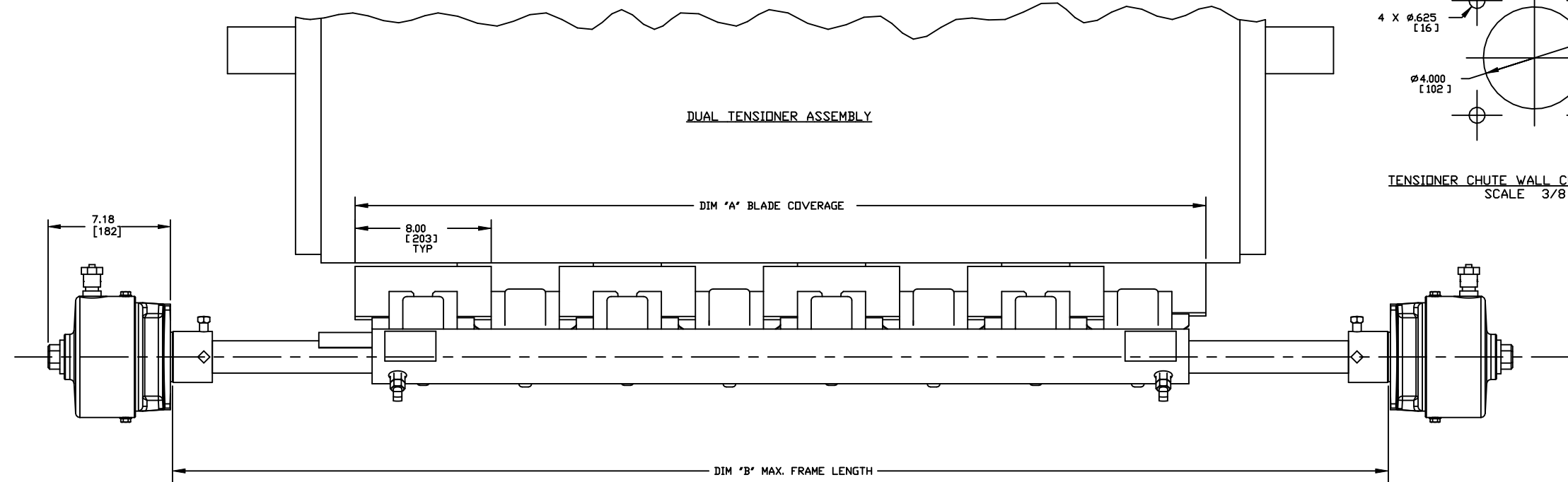
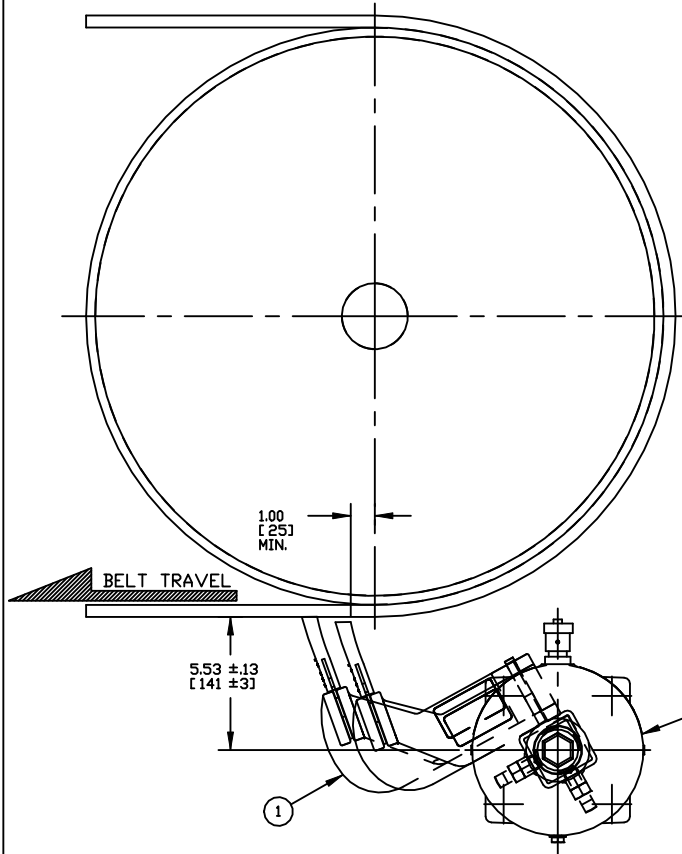


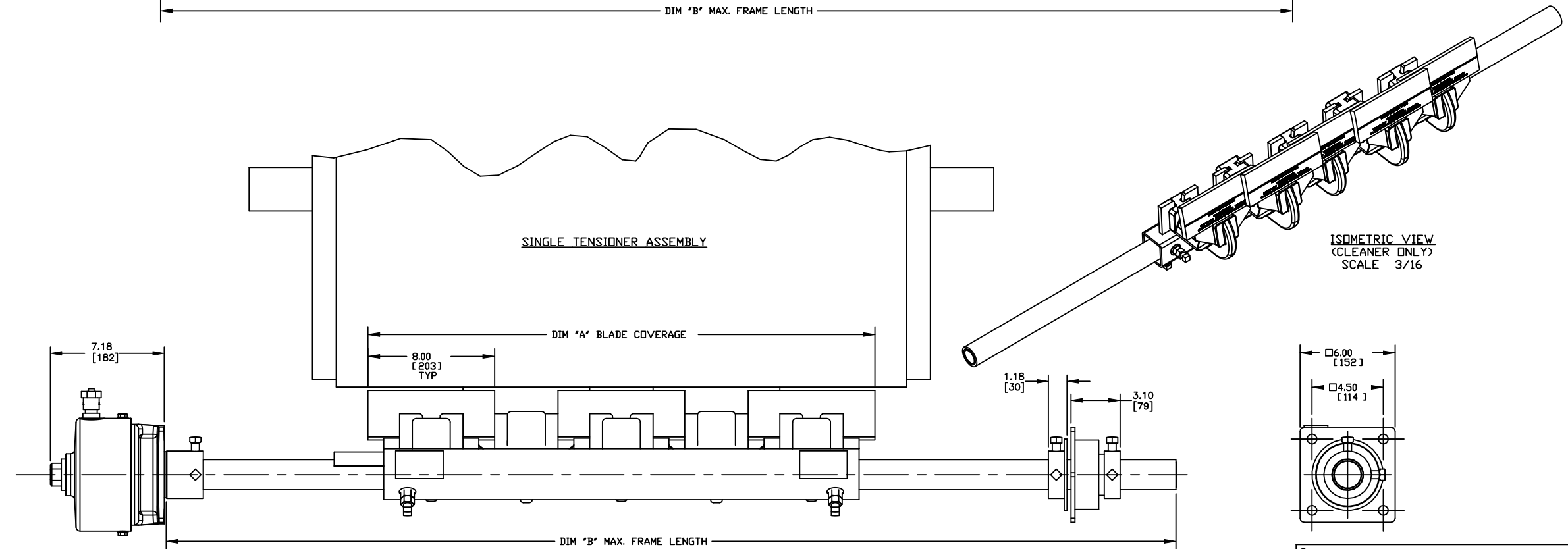
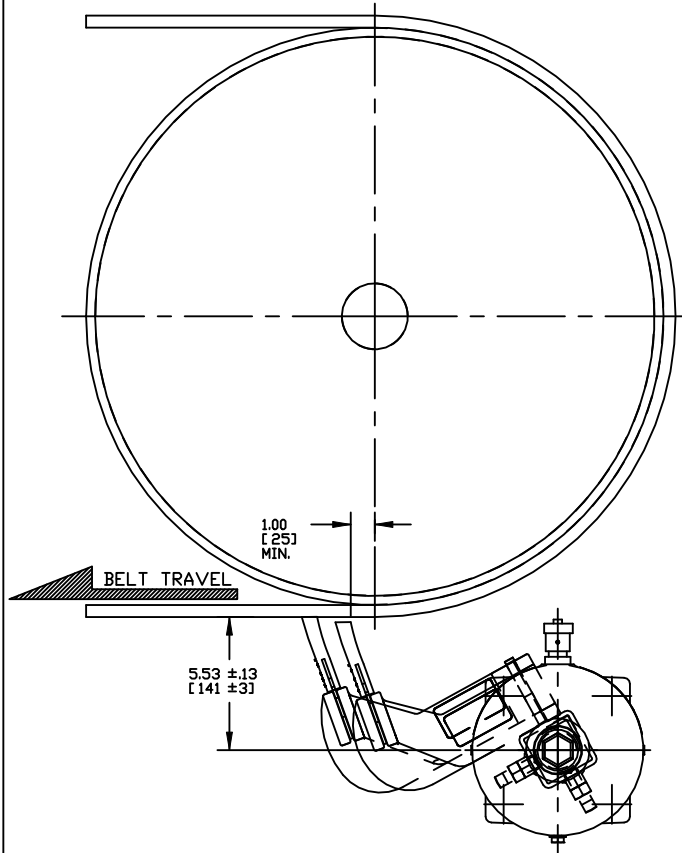
ASSEMBLY PART NO.	DIM 'A' BLD COVERAGE	DIM 'B' MAX FRAME LG	TENSIONER PART NO.	SHORT ARM QTY	LONG ARM QTY	BLADE QTY
37144-18UXX-X	14.00 [356]	40.00 [1016]	38850	1	1	2
37144-24UXX-X	20.00 [508]	46.00 [1168]	38850	2	1	3
37144-30UXX-X	26.00 [660]	58.00 [1473]	38850	2	2	4
37144-36UXX-X	32.00 [813]	64.00 [1626]	38850	3	2	5
37144-42UXX-X	38.00 [965]	70.00 [1778]	38850	3	3	6
37144-48UXX-X	44.00 [1118]	76.00 [1930]	38850	4	3	7
37144-54UXX-X	50.00 [1270]	82.00 [2083]	38850-2	4	4	8
37144-60UXX-X	56.00 [1422]	94.00 [2388]	38850-2	5	4	9
37144-66UXX-X	62.00 [1575]	100.00 [2540]	38850-2	5	5	10
37144-72UXX-X	68.00 [1727]	106.00 [2692]	38850-2	6	5	11
37144-78UXX-X	74.00 [1880]	117.00 [2972]	38850-2	6	6	12
37144-84UXX-X	80.00 [2032]	123.00 [3124]	38850-2	7	6	13
37144-96UXX-X	92.00 [2337]	135.00 [3429]	38850-2	8	7	15

BLADE CHART	
ASSEMBLY P/N	URETHANE BLADE MATERIAL AND INSERT DESCRIPTION
37144-XXUSS-X	ORANGE URETHANE BLD W/ST STL INSERT
37144-XXUMS-X	ORANGE URETHANE BLD W/MILD STL INSERT
37144-XXUBR-X	BROWN URETHANE BLD W/ST STL INSERT
37144-XXUGR-X	GREEN URETHANE BLD W/ST STL INSERT

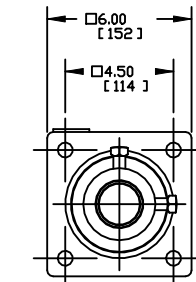
ITEM	QTY.	DESCRIPTION	PART NUMBER
1	1	DURT HAWG® HAWG BONE™ SEC ASM	37144-XXUXX-X
2	1	TWIST TENSIONER ASSEMBLY	SEE CHART



TENSIONER CHUTE WALL CUTOUT DETAIL  
SCALE 3/8



ISOMETRIC VIEW  
(CLEANER ONLY)  
SCALE 3/16



- NOTES:
- ALL DIMENSIONS ARE GIVEN IN INCHES (MM) AND ARE FOR REFERENCE ONLY.
  - HAWG BONE® LONG AND SHORT ARMS ARE TO BE STAGGERED ON MAINFRAME AS SHOWN ALWAYS STARTING WITH A SHORT ARM.
  - IN THE ASSEMBLY PART NUMBER THE FIRST TWO XX'S INDICATES BELT WIDTH. THE U INDICATES URETHANE BLADE TYPE. THE NEXT TWO XX'S INDICATE BLADE TYPE AND ARM COLOR (SEE CHART). THE LAST X INDICATES TWIST TENSIONER (T) INCLUDED. LEAVE BLANK FOR NO TENSIONER.
  - WHERE EXTREME OR UNUSUAL CONDITIONS EXIST, OR SPECIAL MAINFRAME LENGTHS ARE REQUIRED, CONTACT MARTIN.

- NOTES:
- BLADE COVERAGE WILL BE LESS THAN BELT WIDTH DUE TO POSSIBLE MISTRACKING OR DAMAGED EDGES OF BELT.
  - TENSIONER ASSEMBLY MAY BE BOLTED OR WELDED IN PLACE. MARTIN® ENGINEERING RECOMMENDS BOLTING WHEN APPLICABLE FOR EASIER MAINTENANCE AND ACCESSIBILITY. IF WELDING IS REQUIRED USE TWIST TENSIONER ASSEMBLY P/N 38850-2A FOR DUAL TENSIONERS OR P/N 38850-A FOR SINGLE TENSIONER.
  - IN SEVERE APPLICATIONS THE TWIST TENSIONER ADAPTER MAY REQUIRE TO BE WELDED TO THE MAINFRAME.
  - REFER TO OPERATOR'S MANUAL'S, FOR INSTALLATION AND TENSIONING INSTRUCTIONS.
  - CLEANER IS SHOWN IN UNTENSIONED POSITION.
  - FRAME IS ADJUSTABLE TO DESIRED LENGTH.

©Copyright 2011 Martin Engineering. All rights reserved. Covered by U.S. and Foreign patents pending and issued. ® and TM indicate trademarks of Martin Engineering.

**MARTIN ENGINEERING** NEPONSET ILLINOIS USA

TITLE	DATE	BY	CHKD
DURT HAWG® HAWG BONE™ URETHANE SECONDARY ASM WITH TWIST TENSIONER	04/06/11	JAH	RND
SALES DRAWING	04/06/11		
APPROVED BY	04/06/11		
SCALE	1/4		

NO.	DESCRIPTION	ECN	DATE	BY
	REVISION			