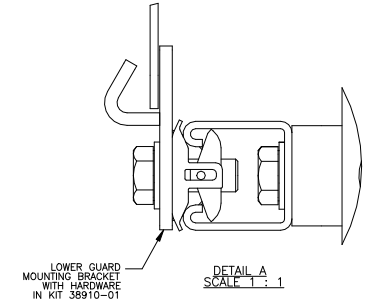
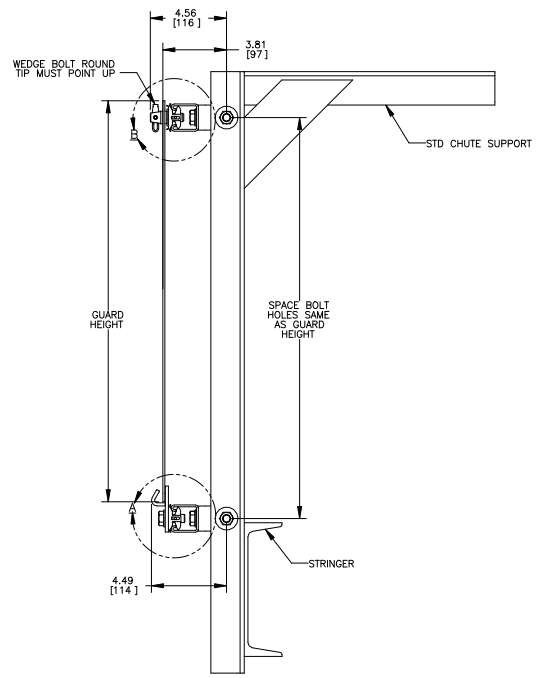
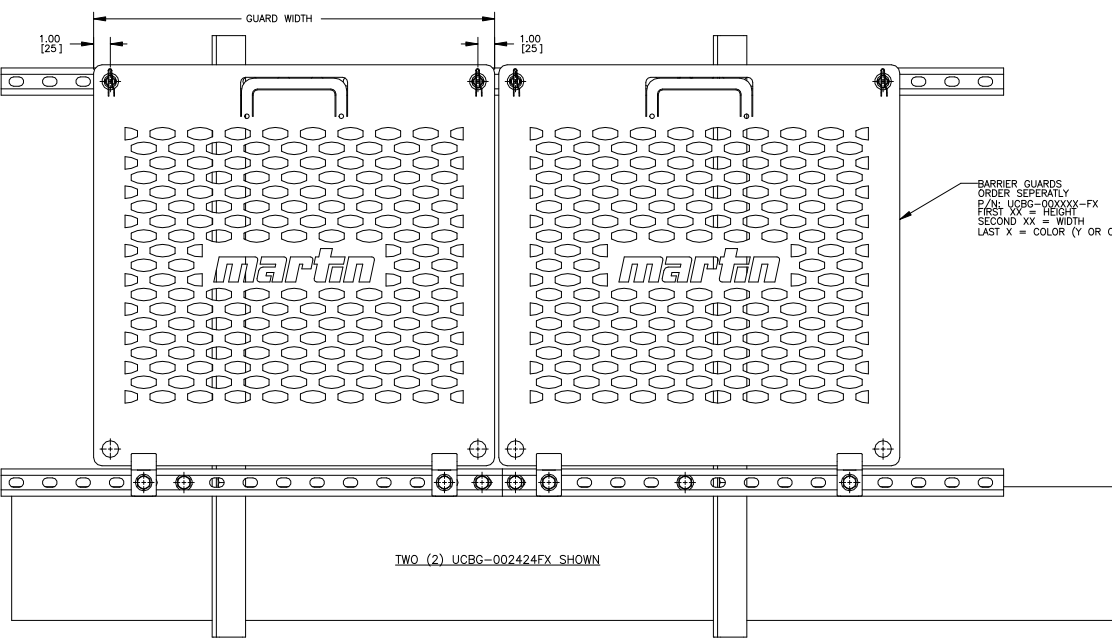
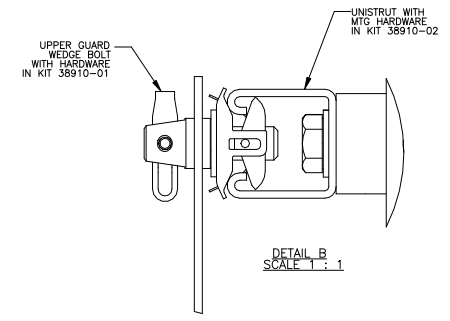
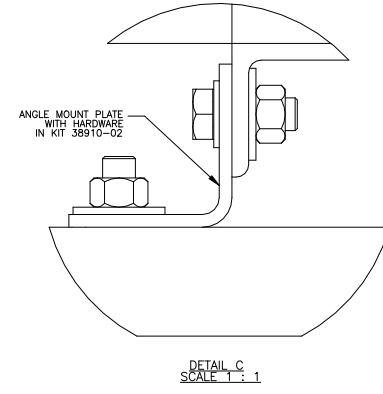
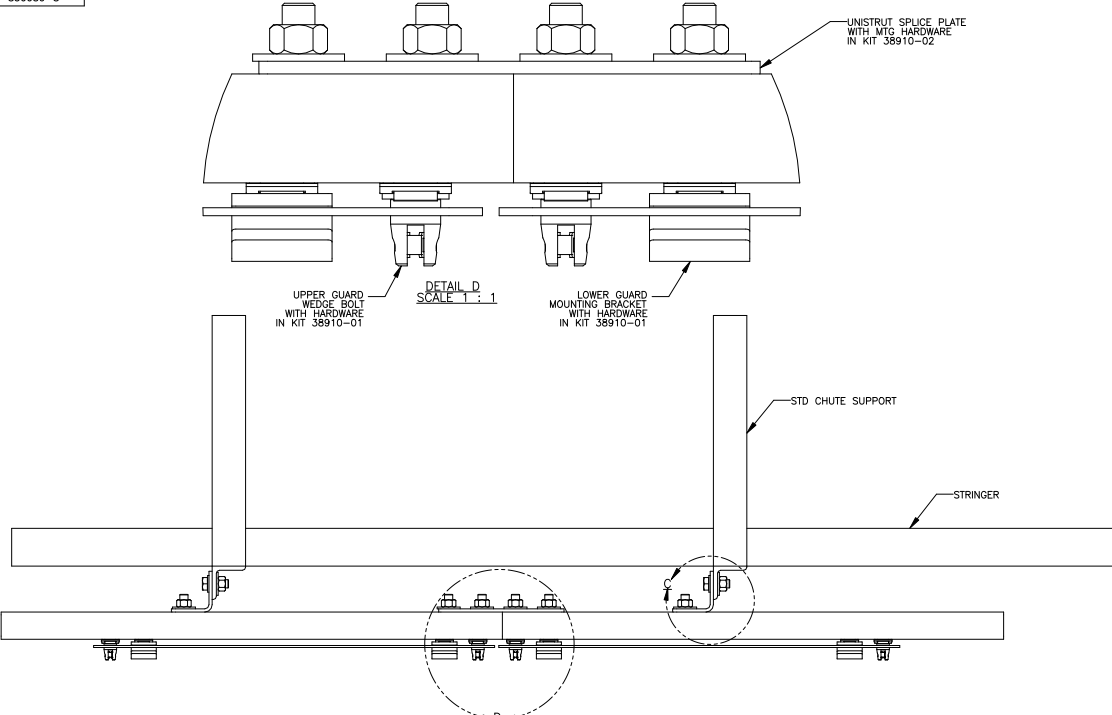


ITEM	QTY	DESCRIPTION	PART NUMBER
1	S/N	BARRIER GUARD UNISTRUT MTG HARDWARE	38910-01
2	S/N	BARRIER GUARD UNISTRUT AND HARDWARE	38910-02

S/N = SEE NOTE 4



- NOTES:
- 1) ALL DIMENSIONS ARE GIVEN IN INCHES [MM].
 - 2) ALL DIMENSIONS ARE FOR REFERENCE ONLY.
 - 3) INTEGRATED HANDLES ARE FIELD MODIFIABLE TO BE BENT UP INTO WORKING POSITION.
 - 4) ONE (1) P/N 38910-01 REQUIRED FOR EVERY BARRIER GUARD. ONE (1) P/N 38910-02 REQUIRED FOR EVERY 10 FEET OF GUARDING REQUIRED.

© Copyright 2011 North Engineering. All rights reserved. Covered by U.S. and foreign patents pending and issued. ® and TM indicate trademarks of North Engineering.

		USA BUSINESS UNIT
		TITLE
BARRIER GUARD UNISTRUT INSTALLATION ON STD CHUTE SUPPORTS		DRAWN AND CHECKED
		ENG. DATE
		APPROVED DATE
SALES DRAWING		PR12125
S50080-S		SCALE 1/4

NO.	DESCRIPTION	ECN	DATE	BY
	REVISION			