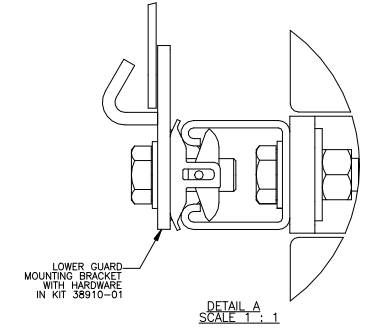
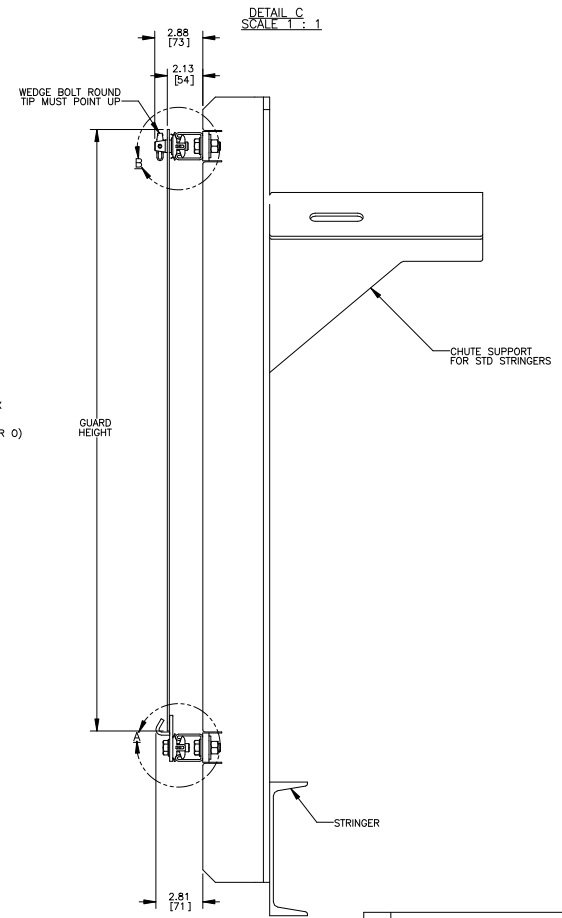
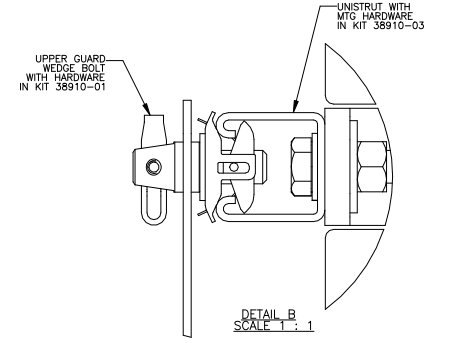
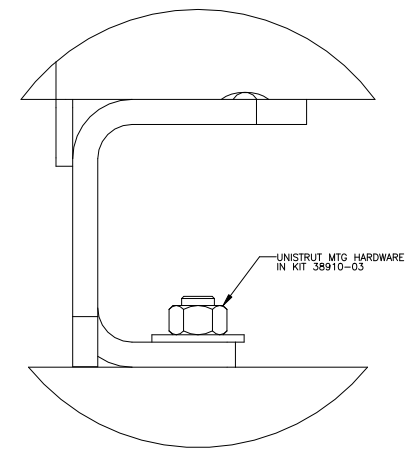
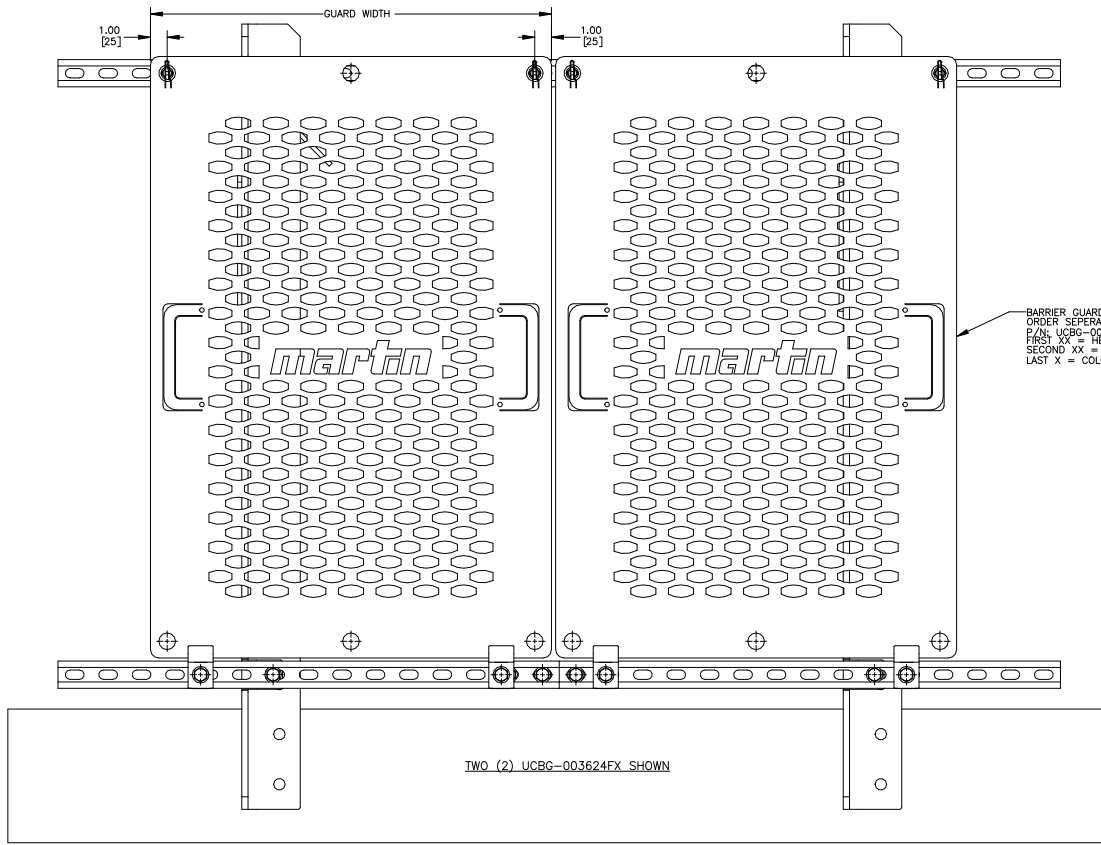
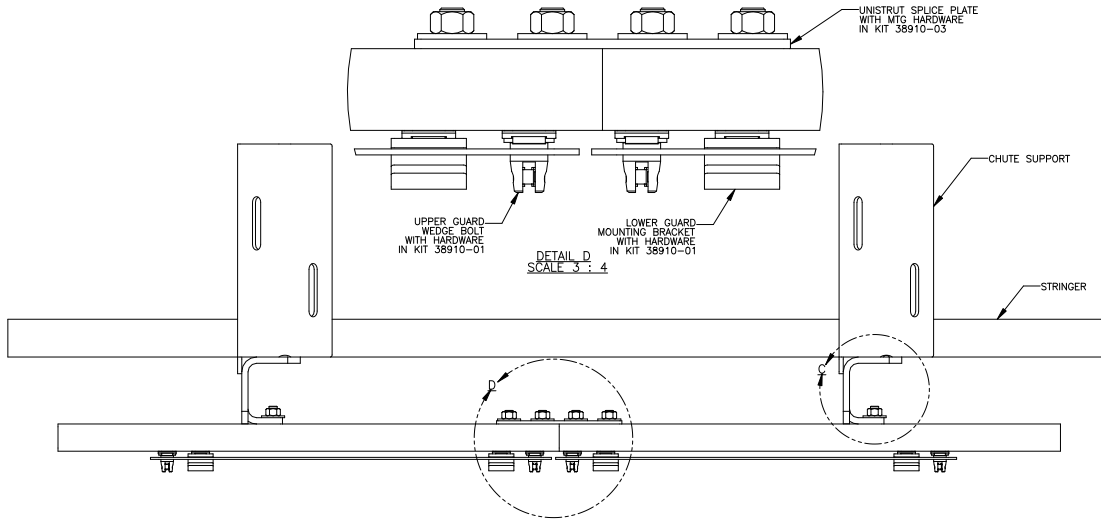


ITEM	QTY	DESCRIPTION	PART NUMBER
1	S/N	BARRIER GUARD UNISTRUT MTG HARDWARE	38910-01
2	S/N	BARRIER GUARD UNISTRUT AND HARDWARE	38910-03

S/N = SEE NOTE 4



- NOTES:
- 1) ALL DIMENSIONS ARE GIVEN IN INCHES [MM].
 - 2) ALL DIMENSIONS ARE FOR REFERENCE ONLY.
 - 3) INTEGRATED HANDLES ARE FIELD MODIFIABLE TO BE BENT UP INTO WORKING POSITION.
 - 4) ONE (1) P/N 38910-01 REQUIRED FOR EVERY BARRIER GUARD. ONE (1) P/N 38910-03 REQUIRED FOR EVERY 10 FEET OF GUARDING REQUIRED.

© Copyright 2011 North Engineering. All rights reserved. Covered by U.S. and foreign patents pending and issued. ® and TM indicate trademarks of North Engineering.

NE NORTH ENGINEERING USA BUSINESS UNIT

TITLE	BARRIER GUARD UNISTRUT INSTALLATION ON CHUTE SUPPORTS	DRAWN RND DATE 09/08/11
CHECKED		CHECKED
ENG. DATE 09/15/11		DATE 09/15/11
APPROVED J.M.		SCALE 1/4
DATE 09/16/11		

NO.	DESCRIPTION	ECN	DATE	BY
SOLDWORKS	REVISION			

SALES DRAWING PH12125 S50080-E