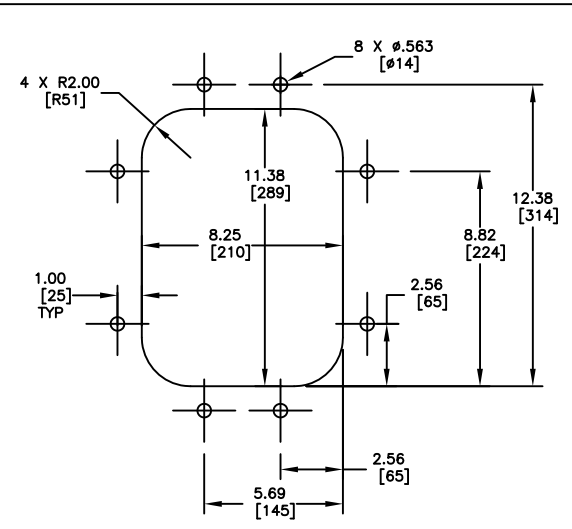
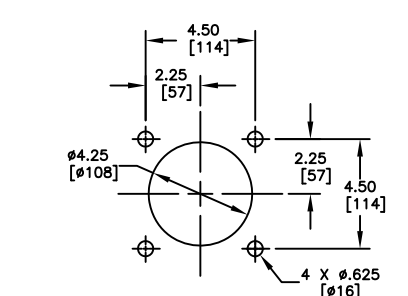


PART NUMBER	BELT WIDTH	DIMENSION "A" BLADE COVERAGE	DIMENSION "B" FRAME LENGTH
38556-541X46XX	54.00 [1400-1600]	46.00 [1168]	84.00 [2134]
38556-541X48XX	54.00 [1400-1600]	46.00 [1168]	84.00 [2134]
38556-541X52XX	54.00 [1400-1600]	52.00 [1321]	84.00 [2134]
38556-601X52XX	60.00 [1600-1800]	52.00 [1321]	90.00 [2286]
38556-601X54XX	60.00 [1600-1800]	54.00 [1372]	90.00 [2286]
38556-601X58XX	60.00 [1600-1800]	58.00 [1473]	90.00 [2286]
38556-661X58XX	66.00 [1600-1800]	58.00 [1473]	96.00 [2438]
38556-661X60XX	66.00 [1600-1800]	60.00 [1524]	96.00 [2438]
38556-661X64XX	66.00 [1600-1800]	64.00 [1626]	96.00 [2438]
38556-721X64XX	72.00 [1800-2000]	64.00 [1626]	102.00 [2591]
38556-721X66XX	72.00 [1800-2000]	66.00 [1676]	102.00 [2591]
38556-721X70XX	72.00 [1800-2000]	70.00 [1778]	102.00 [2591]
38556-781X70XX	78.00 [1800-2000]	70.00 [1778]	108.00 [2743]
38556-781X72XX	78.00 [1800-2000]	72.00 [1829]	108.00 [2743]
38556-781X76XX	78.00 [1800-2000]	76.00 [1930]	108.00 [2743]
38556-841X76XX	84.00 [2000-2200]	76.00 [1930]	114.00 [2896]
38556-841X78XX	84.00 [2000-2200]	78.00 [1981]	114.00 [2896]
38556-841X82XX	84.00 [2000-2200]	82.00 [2083]	114.00 [2896]



MOUNTING LOCATION CHART	
DIM. "C"	DIM. "D"
HEAD PULLEY DIAMETER *	
12.00 [305] THRU 15.00 [381]	4.00 [102]
16.00 [406] AND OVER	3.50 [89]

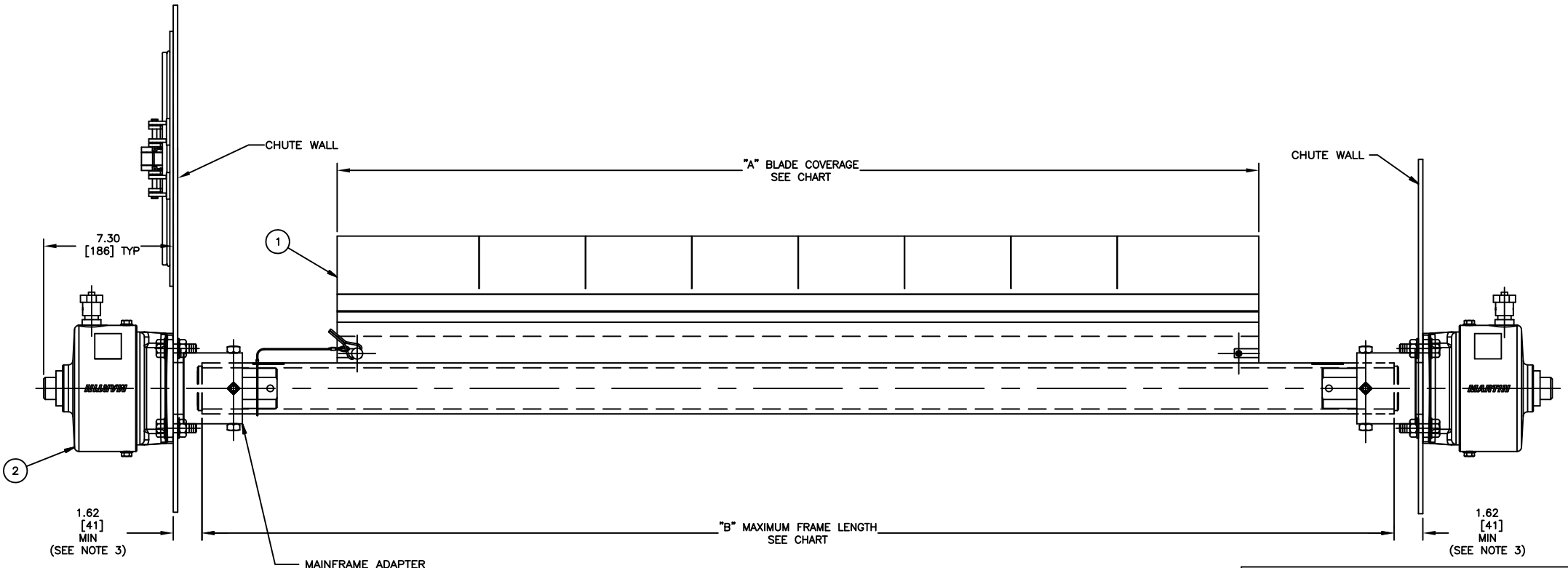
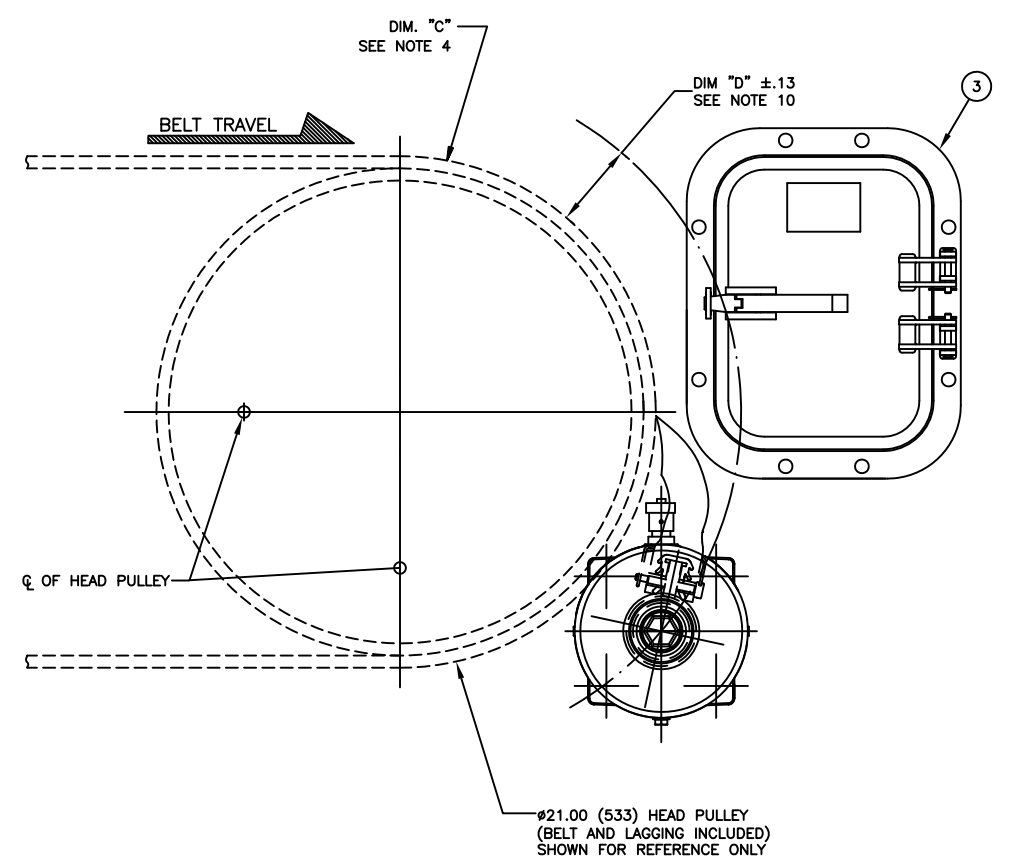
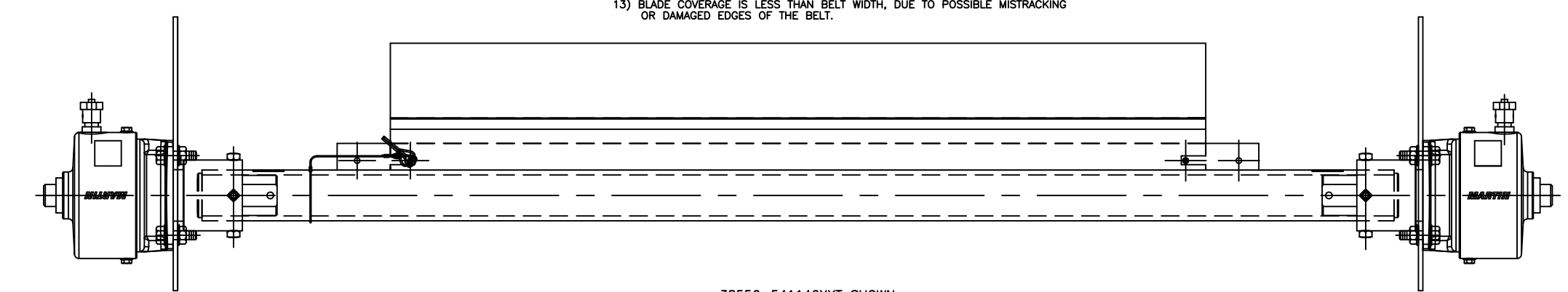
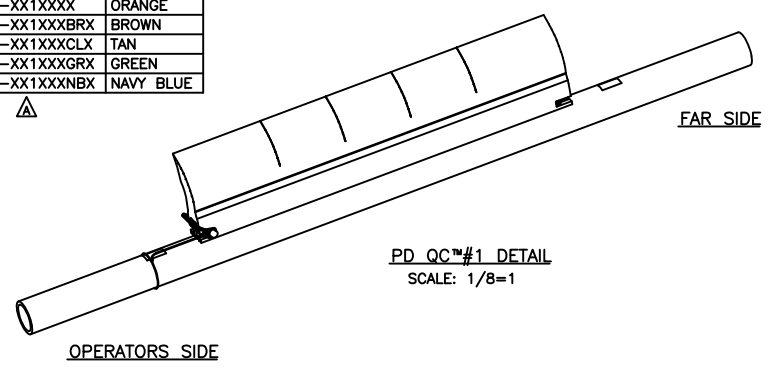
* INCLUDES BELT AND LAGGING



- NOTES:
- ALL DIMENSIONS ARE GIVEN IN INCHES [MM] AND ARE FOR REFERENCE ONLY.
 - IN THE 38556-XX1XXXXX PART NUMBER THE FIRST TWO XX'S INDICATE BELT WIDTH. THE 1X INDICATES BLADE TYPE:
 10 = BLADE WITH SEGMENTS OR 11 = BLADE WITHOUT SEGMENTS
 THE NEXT TWO XX'S INDICATE BLADE COVERAGE.
 THE NEXT TWO XX'S INDICATE BLADE COLOR (SEE CHART).
 THE LAST X INDICATES IF A TENSIONER IS INCLUDED.
 EXAMPLES:
 38556-541146BRT = 54" BELT WIDTH, 46" BROWN BLADE WITHOUT SEGMENTS, WITH A TWIST TENSIONER.
 38556-541052 = 54" BELT WIDTH, 52" ORANGE BLADE WITH SEGMENTS.
 38556-541152GRT = 54" BELT WIDTH, 52" GREEN BLADE WITHOUT SEGMENTS, WITH A TWIST TENSIONER.
 - CUT MAINFRAME TO LENGTH. WITH BLADE CENTERED ON THE BELT MEASURE HOW FAR THE MAINFRAME IS OUTSIDE THE CHUTE WALL AND ADD 1.63 [41] MINIMUM TO CUT OFF.
 - THE PRE-CLEANER BLADE IS DESIGNED FOR HEAD PULLEY'S WITH A MINIMUM EFFECTIVE DIAMETER OF 12.00 [305].
 - CLEANER IS SHOWN IN RECOMMENDED WORKING POSITION.
 - WHERE EXTREME OR UNUSUAL CONDITIONS EXIST, OR SPECIAL MAINFRAME LENGTHS ARE REQUIRED CONTACT MARIN ENGINEERING.
 - TWIST TENSIONER MAY BE BOLTED OR WELDED IN PLACE. MARTIN ENGINEERING RECOMMENDS BOLTING WHEN APPLICABLE FOR EASIER MAINTENANCE AND ACCESSIBILITY.
 - REFER TO OPERATOR'S MANUAL M3798 FOR COMPLETE INSTALLATION INSTRUCTIONS.
 - FOR BELT WIDTHS 48.00 [1200-1400] AND UNDER, MARTIN ENGINEERING RECOMMENDS USING A TWIST TENSIONER (P/N 38554). SEE S50068-S.
 - CLEANER CAN BE LOCATED ANYWHERE ALONG THE ARC, AS LONG AS THE MAINFRAME IS OUT OF MATERIAL TRAJECTORY AND THE BLADE TIPS ARE BELOW THE HORIZONTAL CENTERLINE OF THE HEAD PULLEY.
 - THE PD QC #1 PRE-CLEANER BLADES ARE DESIGNED TO REMOVE HEAVY CARRYBACK ONLY. DO NOT OVERTENSION.
 - FOR SEVERE APPLICATIONS WELD THE MAINFRAME ADAPTER DIRECTLY TO MAINFRAME.
 - BLADE COVERAGE IS LESS THAN BELT WIDTH, DUE TO POSSIBLE MISTRACKING OR DAMAGED EDGES OF THE BELT.

ITEM	QTY.	DESCRIPTION	PART NUMBER
1	1	MARTIN®PD QC™#1 BLADE MAINFRAME ASM	38556-XX1XXXXX
2	1	MARTIN®TWIST™ DUAL TENSIONER ASM	38554-2
3	1	MARTIN®LOW PROFILE STL DOOR 9X12	CYA-0912

ASSEMBLY PART NO.	COLOR
38556-XX1XXXX	ORANGE
38556-XX1XXBRX	BROWN
38556-XX1XXCLX	TAN
38556-XX1XXGRX	GREEN
38556-XX1XXNBX	NAVY BLUE



© Copyright 2012 Martin Engineering. All rights reserved. Covered by U.S. and foreign patents pending and issued. ® and TM indicate trademarks of Martin Engineering.

MARTIN ENGINEERING-USA
NEPONSET, IL USA

TITLE	MARTIN®PERFORMANCE DUTY QC™#1 ASM WITH TWIST™TENSIONER ASM 9 X 12 STEEL DOOR	DRAWN RND	DATE 08/13/09
NO.	DESCRIPTION	ECN	DATE
AutoCAD	REVISION		

SALES DRAWING PR11517 S50068-D SCALE 1/4=1

A	CHGD P/N 38556-XXXXXXX TO 38556-XX1XXXXX IN BOM, CHARTS & P/N NOTE / RMD WITH SLITS (Ø) OPTION FROM P/N NOTE / ADDED 6" LESS BW P/N TO CHART	15863B	03/25/21	JAH
---	--	--------	----------	-----