

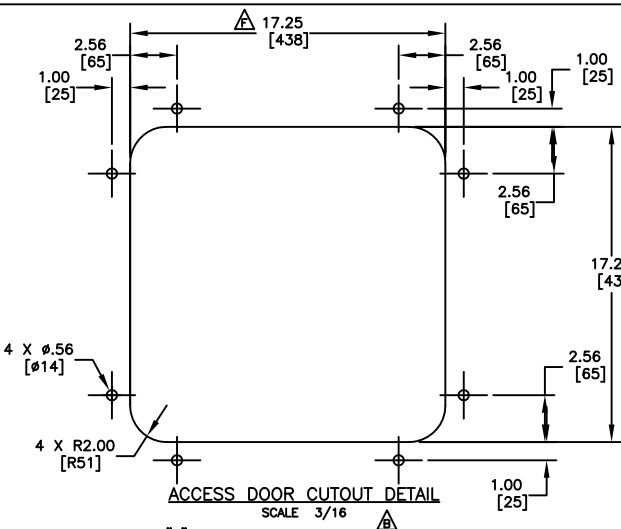
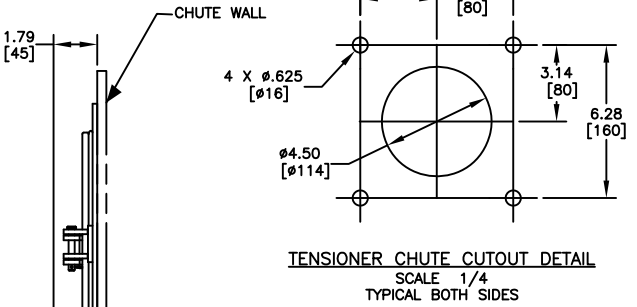
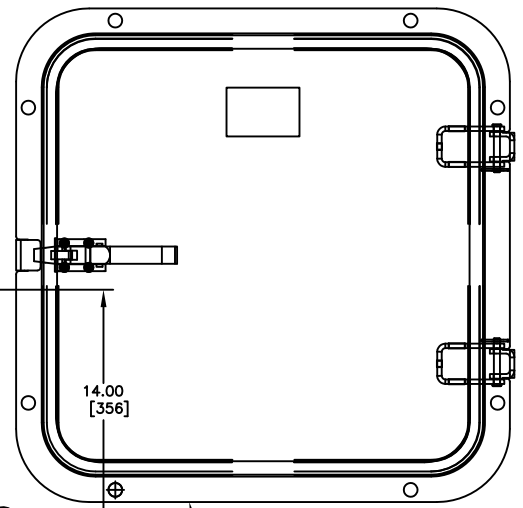
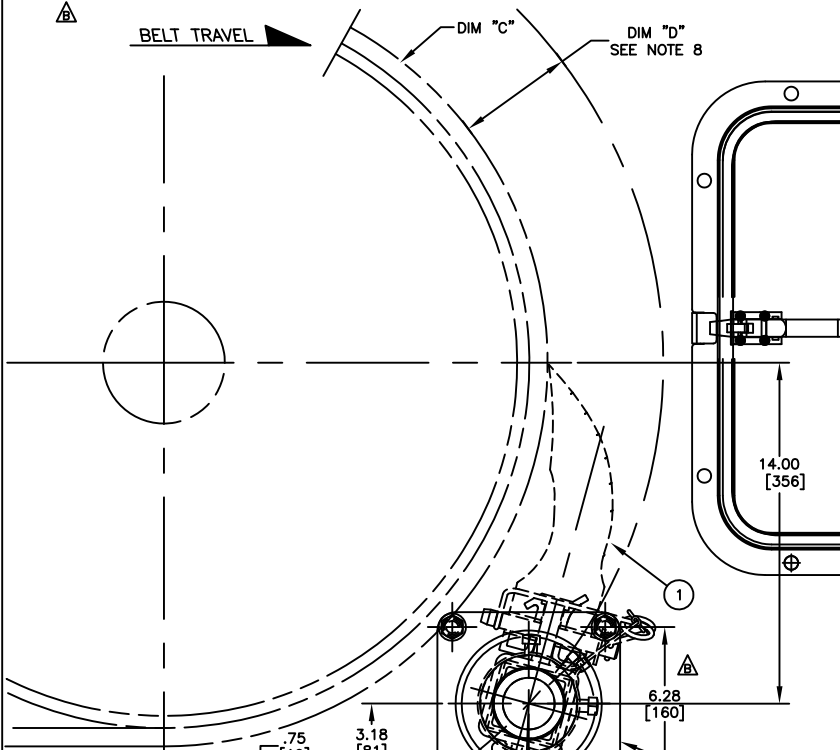
PART NO.	BELT WIDTH	DIM "A" FRAME LENGTH	DIM "B" BLADE COVERAGE	AIR PRESSURE PSI [kPa]	TENSIONER P/N
35899-18XX12XX	18.00 [400-500]	66.00 [1676]	12.00 [457]	18 [124]	32135
35899-24XX18XX	24.00 [500-650]	72.00 [1829]	18.00 [610]	19 [131]	32135
35899-30XX24XX	30.00 [650-800]	78.00 [1981]	24.00 [762]	26 [179]	32135
35899-36XX30XX	36.00 [800-1000]	84.00 [2134]	30.00 [914]	32 [221]	32135
35899-42XX36XX	42.00 [1000-1200]	90.00 [2286]	36.00 [1067]	38 [262]	32135
35899-48XX42XX	48.00 [1200-1400]	96.00 [2438]	42.00 [1067]	31 [214]	32135-2R
35899-54XX48XX	54.00 [1400-1600]	102.00 [2591]	48.00 [1219]	31 [214]	32135-2R
35899-60XX54XX	60.00 [1600-1800]	108.00 [2743]	54.00 [1372]	40 [276]	32135-2R
35899-66XX60XX	66.00 [1600-1800]	114.00 [2896]	60.00 [1524]	40 [276]	32135-2R
35899-72XX66XX	72.00 [1800-2000]	120.00 [3048]	66.00 [1676]	45 [310]	32135-2R

MOUNTING LOCATION CHART	
DIM "C" HEAD PULLEY DIAMETER *	DIM "D"
16 [400]	5.75 [146]
20 [500]	5.50 [140]
24 [600]	5.25 [133]
28 [700]	5.00 [127]
30-120 [750-3000]	4.75 [120]

* INCLUDES BELT AND LAGGING

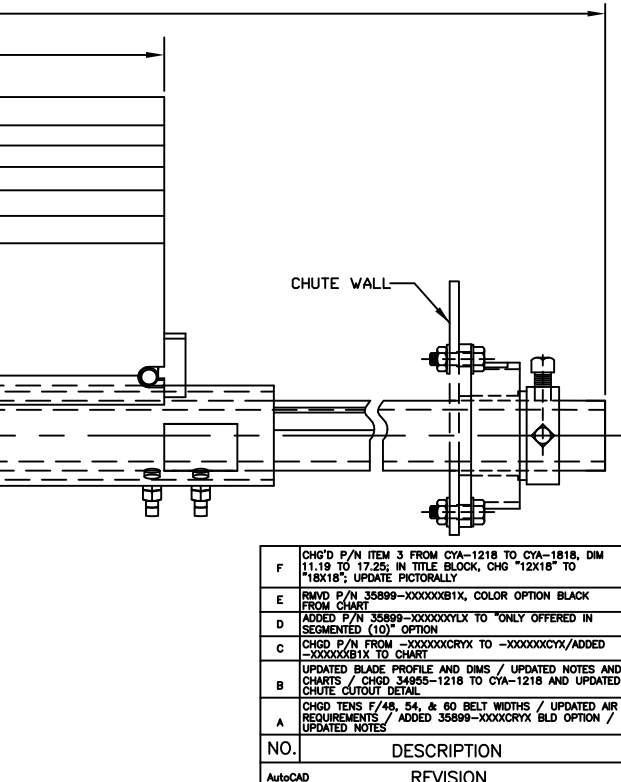
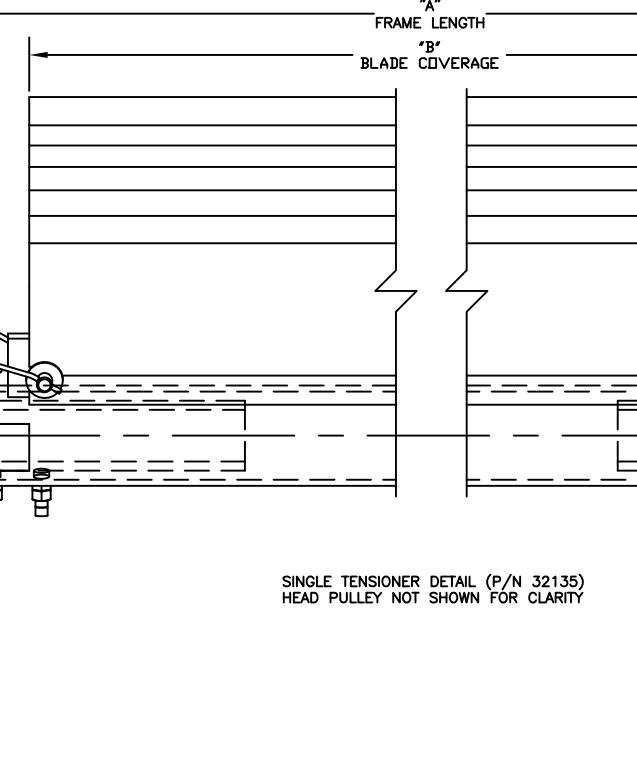
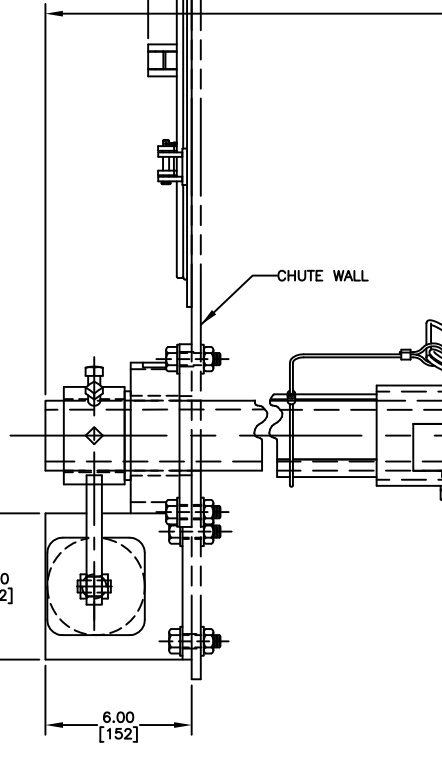
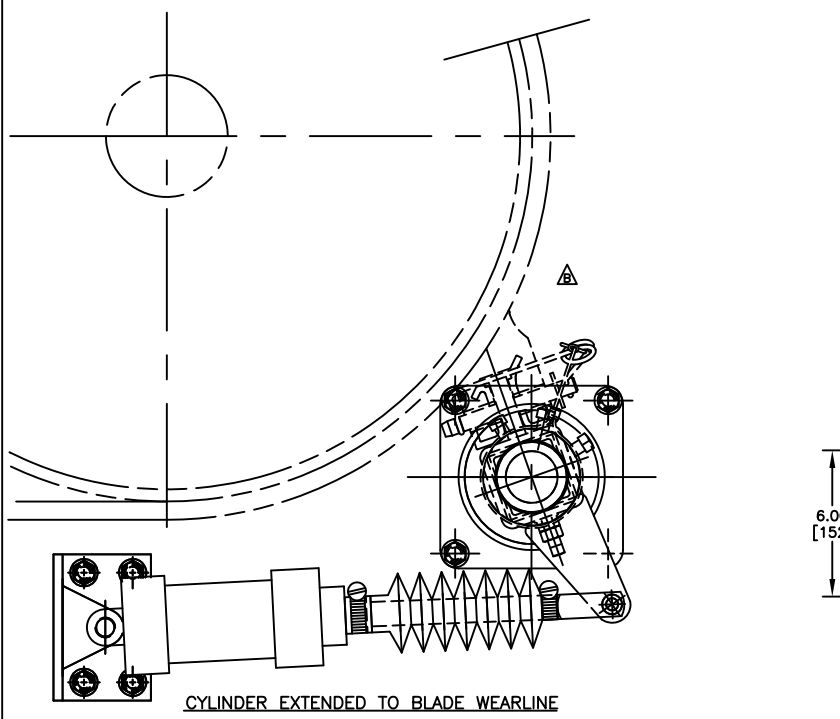
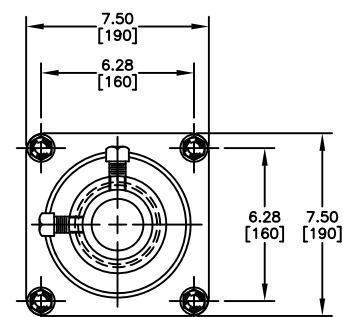
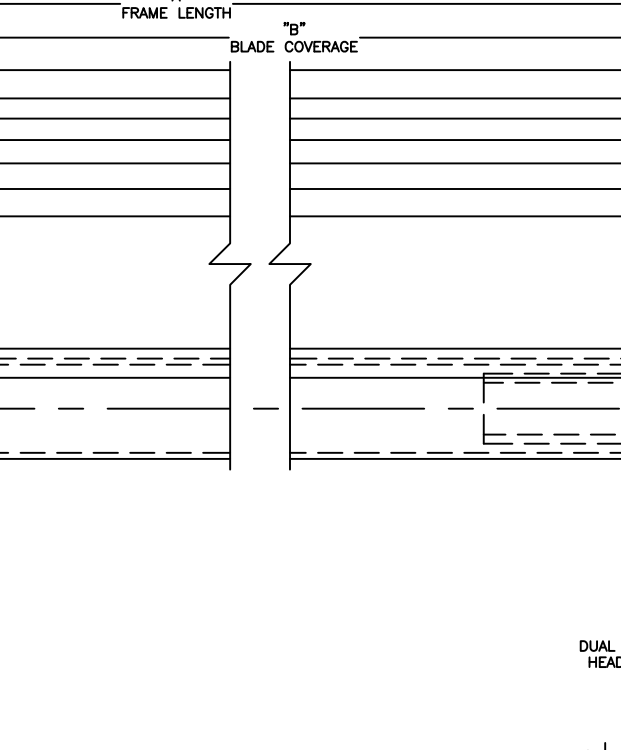
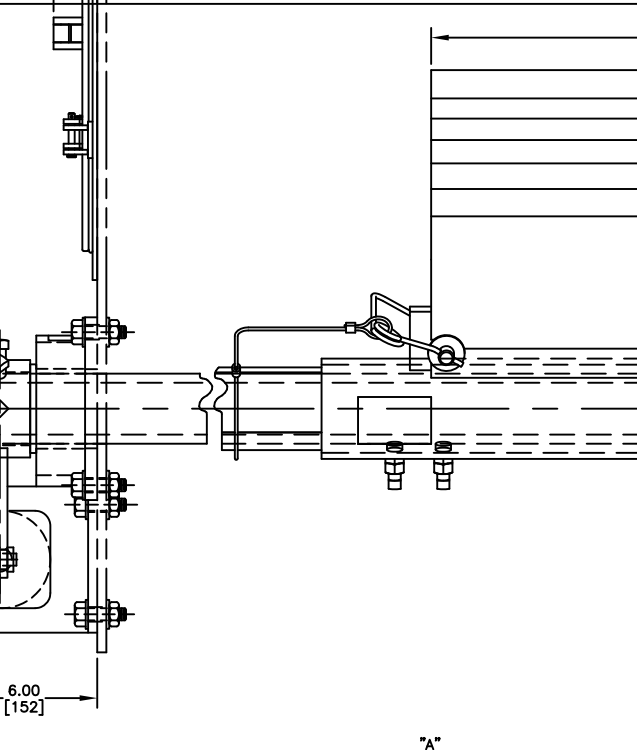
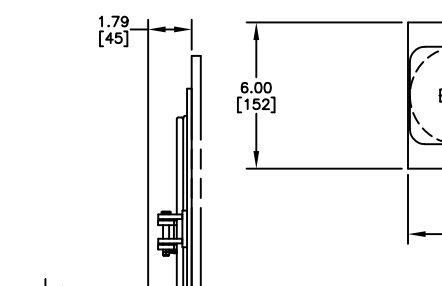
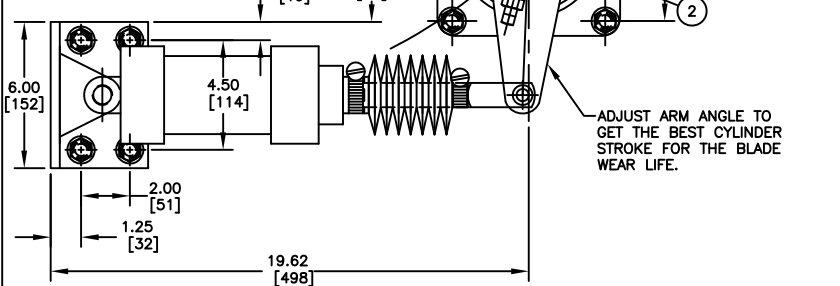
ASSEMBLY PART NO.	COLOR
35899-XXXXXX	DRANGE
35899-XXXXXXBRX	BRDWN
35899-XXXXXXCLX	CLEAR
35899-XXXXXXGRX	GREEN
35899-XXXXXXNBX	NAVY BLUE
35899-XXXXXXCYX	YELLOW W/BEADS
35899-XXXXXXYLX	YELLOW

* ONLY OFFERED IN SEGMENTED (10)



ITEM	QTY.	DESCRIPTION	PART NUMBER
1	1	MARTIN QC#1 XHD CLEANER ASM	SEE CHART
2	1	MARTIN XHD AIR CYLINDER TENSIONER	SEE CHART
3	1	MARTIN LOW PROFILE ACCESS DOOR	CYA-1818

- NOTES:
- ALL DIMENSIONS ARE GIVEN IN INCHES [MM].
 - ALL DIMENSIONS ARE FOR REFERENCE ONLY.
 - FOR EASY ACCESSIBILITY AND MAINTENANCE, MARTIN ENGINEERING RECOMMENDS BOLTING CLEANER TO EXISTING STRUCTURE WHEN APPLICABLE.
 - CLEANER IS SHOWN IN RECOMMENDED WORKING POSITION.
 - WHERE EXTREME OR UNUSUAL CONDITIONS EXIST, OR SPECIAL MAINFRAME LENGTHS ARE REQUIRED CONTACT MARTIN ENGINEERING.
 - REFER TO OPERATOR'S MANUAL M3504 & M3512 FOR INSTALLATION INSTRUCTIONS.
 - FOR BELT WIDTHS 42.00 [1000-1200] AND SMALLER, MARTIN ENGINEERING RECOMMENDS USING A SINGLE AIR CYLINDER TENSIONER.
 - CLEANER CAN BE LOCATED ANYWHERE ALONG THE ARC, AS LONG AS THE MAINFRAME IS OUT OF MATERIAL TRAJECTORY AND THE BLADE TIPS ARE BELOW THE HORIZONTAL CENTERLINE OF THE HEAD PULLEY.
 - THE QC#1 XHD PRE-CLEANER BLADES ARE DESIGNED TO REMOVE HEAVY CARRYBACK ONLY. DO NOT OVERTENSION.
 - BLADE COVERAGE IS LESS THAN BELT WIDTH, DUE TO POSSIBLE MISTRACKING OR DAMAGED EDGES OF THE BELT.
 - FIRST TWO XX'S INDICATE BELT WIDTH, THE THIRD X INDICATES SOLID (1) OR SLIT (0) BLD. THE FOURTH X INDICATES SOLID (1), SEGMENTED FULL LG (0), OR SEGMENTED AT ENDS ONLY (2) BLD. THE NEXT TWO XX'S INDICATE BLADE COLOR/MATERIAL.
EXAMPLE:
35899-4800 = 48" BELT, SLIT AND SEGMENTED ORANGE BLD
35899-3610BR = 36" BELT, SEGMENTED BROWN BLADE.



NO.	DESCRIPTION	ECN	DATE	BY
F	CHG'D P/N ITEM 3 FROM CYA-1218 TO CYA-1818, DIM 11.18 TO 17.25; IN TITLE BLOCK, CHG "12X18" TO "18X18"; UPDATE PICTORALLY	16025	01/03/22	JRB
E	RWD P/N 35899-XXXXXXB1X, COLOR OPTION BLACK FROM CHART	15647	04/17/20	JAH
D	ADDED P/N 35899-XXXXXXYLX TO "ONLY OFFERED IN SEGMENTED (10)" OPTION	15172	08/16/18	JAH
C	CHG'D P/N FROM -XXXXXXCYX TO -XXXXXXCYX/ADDED -XXXXXXB1X TO CHART	----	04/27/12	MJB
B	UPDATED BLADE PROFILE AND DIMS / UPDATED NOTES AND CHARTS / CHG'D 34895-1218 TO CYA-1218 AND UPDATED CHUTE CUTOUT DETAIL	12574	03/04/09	JAP
A	CHG'D TENS F/48, 54, & 60 BELT WIDTHS / UPDATED AIR REQUIREMENTS / ADDED 35899-XXXXXXRYX BLD OPTION / UPDATED NOTES	----	02/14/07	RND

TITLE	SALES DRAWING	REVISION
MARTIN QC#1 XHD W/AIR CYLINDER TENS & 18 X 18 ACCESS DOOR	S50046	

DRAWN	DATE	CHECKED	DATE	APPROVED	DATE	SCALE
RND	02/08/07	JRB	02/08/07	JRB	02/13/07	1/4

© Copyright 2022 Martin Engineering. All rights reserved. Covered by U.S. and foreign patents pending and issued. ® and TM indicate trademarks of Martin Engineering.

MARTIN ENGINEERING
NEPONSET ILLINOIS USA