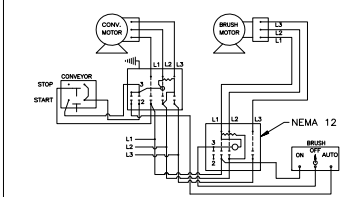


ASSEMBLY PART NO.	BELT WIDTH	BRUSH LENGTH	SHAFT LENGTH
32875-18XX	18.00 (400-500)	15.00 (381)	42.00 (1066)
32875-24XX	24.00 (500-600)	21.00 (533)	48.00 (1219)
32875-30XX	30.00 (650-800)	27.00 (686)	54.00 (1317)
32875-36XX	36.00 (800-1000)	33.00 (838)	60.00 (1529)
32875-42XX	42.00 (1000-1200)	38.00 (965)	66.00 (1676)
32875-48XX	48.00 (1200-1400)	44.00 (1118)	72.00 (1829)
32875-54XX	54.00 (1400-1600)	50.00 (1270)	78.00 (1981)
32875-60XX	60.00 (1600-1800)	56.00 (1422)	84.00 (2134)
32875-72XX	72.00 (1800-2000)	68.00 (1727)	96.00 (2438)

ASSEMBLY PART NO.	BRISTLE DIAMETER	BRISTLE MATERIAL
32875-XXN1	Ø .014 (.35)	NYLON
32875-XXN2	Ø .020 (.51)	NYLON
32875-XXN3	Ø .028 (.71)	NYLON
32875-XXP1	Ø .014 (.35)	POLYPROPYLENE
32875-XXP2	Ø .020 (.51)	POLYPROPYLENE
32875-XXP3	Ø .028 (.71)	POLYPROPYLENE
32875-XXP4	Ø .038 (.96)	POLYPROPYLENE

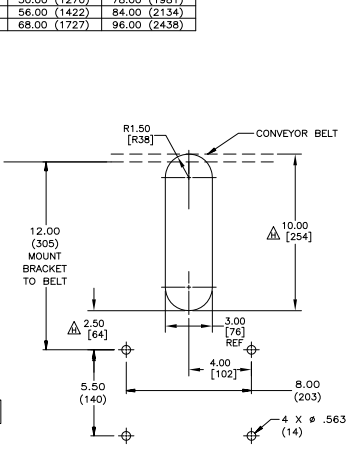


TO OPERATE CONVEYOR AND BRUSH CLEANER:
BRUSH CONTROL AUTO

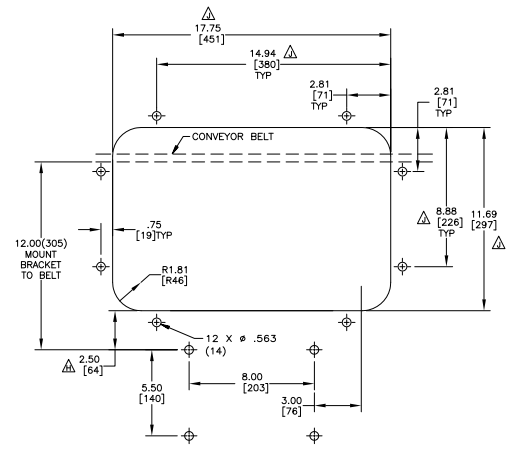
TO OPERATE CONVEYOR ONLY:
BRUSH CONTROL - OFF pos.

TO OPERATE BRUSH CLEANER ONLY:
BRUSH CONTROL - ON pos.

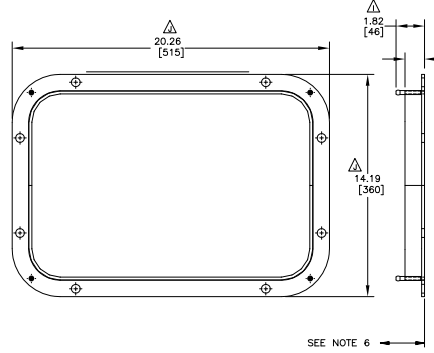
TYPICAL WIRING DIAGRAM
(CONTROLS NOT INCLUDED)



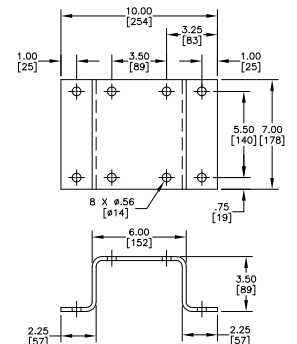
FAR SIDE CHUTE CUTOUT DETAIL
(WHEN ACCESS DOOR IS NOT USED)



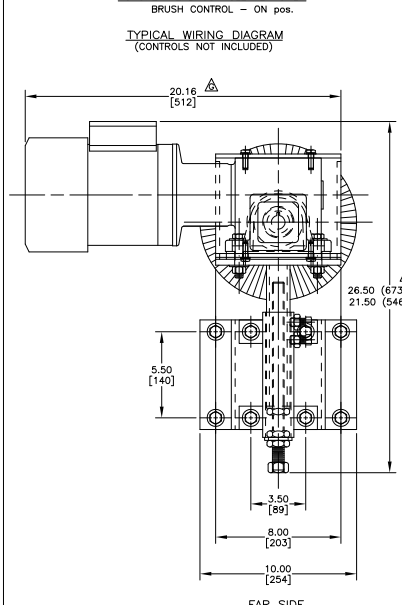
OPERATORS SIDE CHUTE CUTOUT DETAIL
(WHEN ACCESS DOOR IS USED WITH MOUNT BRACKET)



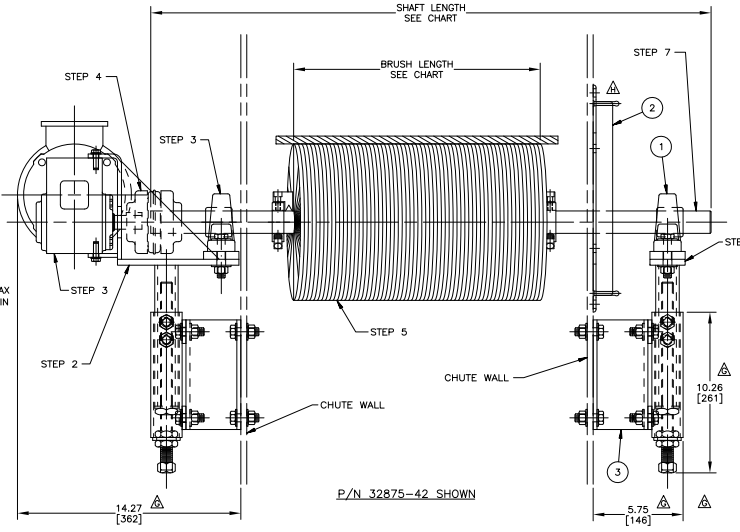
12.00 X 18.00 ACCESS DOOR DETAIL
(OPTIONAL RECOMMENDED EQUIPMENT)
SEE NOTE 7



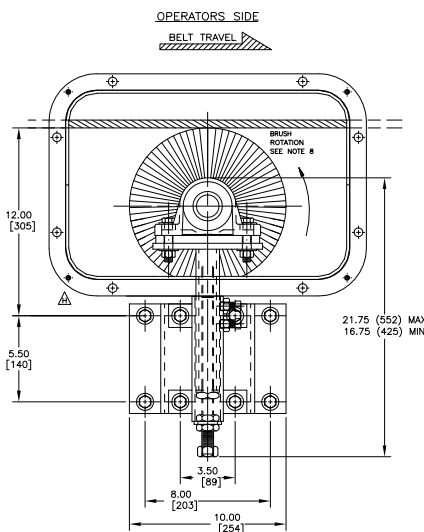
BRUSH CLEANER MOUNT BRACKET
32880
(RECOMMENDED OPTIONAL EQUIPMENT)
USED IN CONJUNCTION WITH CYA® DOOR
SEE NOTE 7



FAR SIDE



P/N 32875-42 SHOWN



OPERATORS SIDE
BELT TRAVEL

- NOTES:
- 1) ALL DIMENSIONS ARE GIVEN IN INCHES (MM).
 - 2) ALL DIMENSIONS ARE FOR REFERENCE PURPOSES UNLESS OTHERWISE SPECIFIED.
 - 3) IN ASSEMBLY PART NUMBER, THE FIRST TWO X'S INDICATE BELT WIDTH, THE THIRD X INDICATES BRISTLE MATERIAL, AND THE LAST X INDICATES THE BRISTLE DIAMETER. EXAMPLE: 32875-24P3 INDICATES: 24.00 (610) BELT WIDTH POLYPROPYLENE MATERIAL Ø.028 (.71) BRISTLE DIAMETER
 - 4) BRUSH KEYSHAFT CAN BE CUT IN THE FIELD IF REQUIRED.
 - 5) A COPY OF DRAWING S32909 IS TO BE INCLUDED WITH ASSEMBLY IN ADDITION TO OR AS A REPLACEMENT OF THE OPERATOR'S MANUAL.
 - 6) WHEN USING AN ACCESS DOOR, A MINIMUM OF 2.50 (64) IS REQUIRED FOR REMOVAL OF DOOR.
 - 7) MARTIN ENGINEERING RECOMMENDS THE USE OF AN ACCESS DOOR AND MOUNT BRACKET FOR EASY ACCESSIBILITY AND MAINTENANCE.
 - 8) BRUSH TO ROTATE IN OPPOSITE DIRECTION OF BELT TRAVEL.
 - 9) NO WARRANTY ON BRUSH WHEN SOLD LESS MOTOR.

- INSTALLATION INSTRUCTIONS:
- STEP 1) MAKE CUTOUTS IN CHUTE FOR OPERATORS SIDE AND FAR SIDE. (SEE CUTOUT DETAILS)
 - STEP 2) INSTALL MOTOR MOUNT TO CHUTE WALL ON FAR SIDE.
 - STEP 3) ATTACH MOTOR TO MOTOR MOUNT AND INSERT BRUSH SHAFT INTO BEARING.
 - STEP 4) ATTACH COUPLING TO MOTOR SHAFT AND BRUSH SHAFT.
 - STEP 5) CENTER BRUSH UNDER BELT AND LOCK BRUSH TO SHAFT USING HUBS AND BRUSH CLAMPS.
 - STEP 6) ATTACH OPERATOR'S SIDE MOUNT BY SLIDING MOUNT OVER BRUSH SHAFT AND ATTACH TO CHUTE WALL. (IF OPTIONAL ACCESS DOOR IS USED, MOUNT BRACKET P/N: 32880 TO BE USED IN CONJUNCTION WITH OPERATOR'S SIDE MOUNT.)
 - STEP 7) LOCK BEARINGS ONTO BRUSH SHAFT AND CUT EXCESS SHAFT ON OPERATOR'S SIDE.

© Copyright 2008 Martin Engineering. All rights reserved. Covered by U.S. and foreign patents pending and issued. ® and TM indicate trademarks of Martin Engineering.

		NEPONSET ILLINOIS USA
TITLE	MOUNTING DETAIL & MNT LOCATIONS FOR STD Ø10.00 BRUSH CLNR	DRAWN: JNH DATE: 12/07/09 CHECKED: JNH DATE: 01/19/09 APPROVED: JNH DATE: 01/19/09 SCALE: 1 = 1
K	ADDED NOTE # (NO WARRANTY ON BRUSH.) FOR ASM'S ENDING WITH 147	15882 04/21/21 MH
NO.	DESCRIPTION	ECN DATE BY SALES DRAWING
AW/CAD	REVISION	SUPERCEDES SAME SIZE SAME DATE