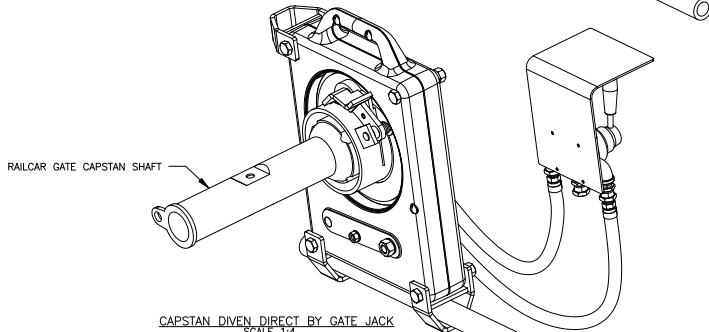
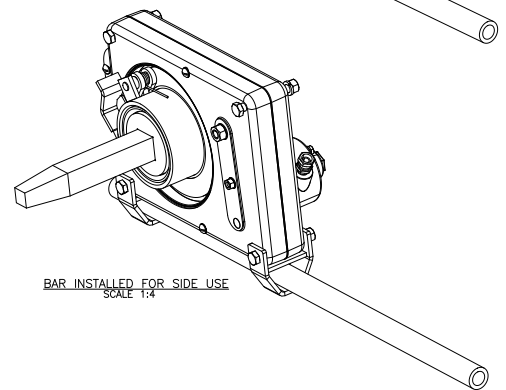


EXPLODED VIEW  
SCALE 1:4

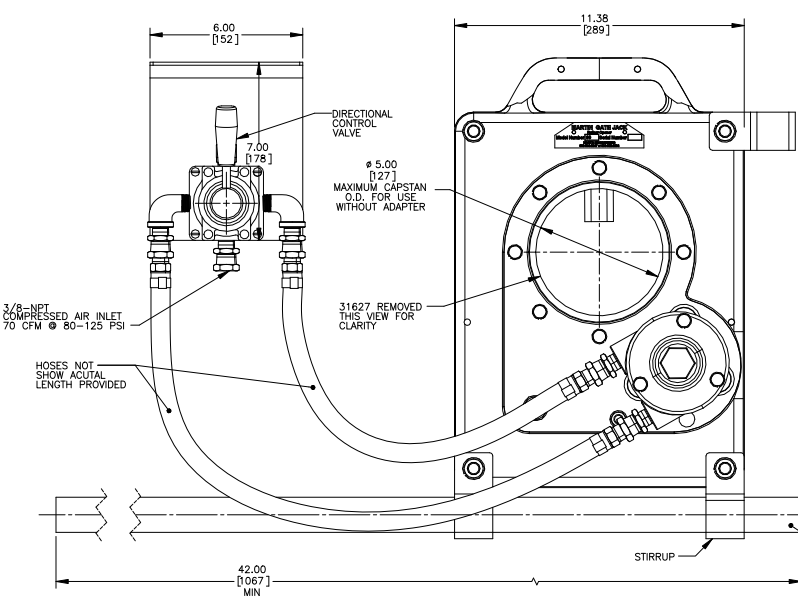


CAPSTAN DIVEN DIRECT BY GATE JACK  
SCALE 1:4

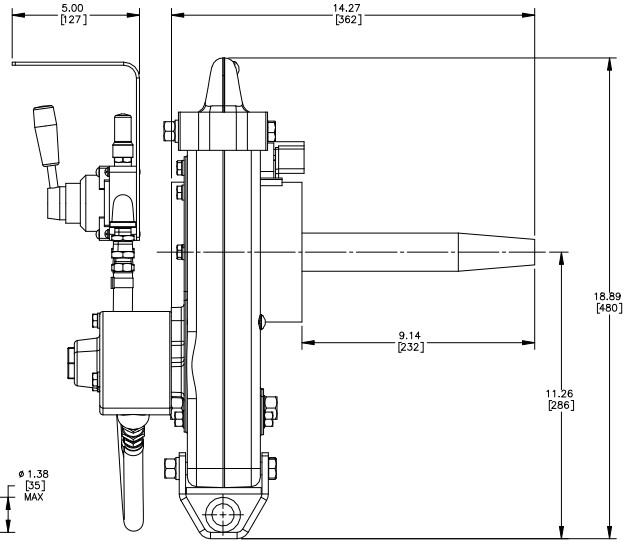


BAR INSTALLED FOR SIDE USE  
SCALE 1:4

ROTATE STIRRUP FOR ALTERNATE SIDE USE  
ALTERNATE STIRRUP LOCATION



DEFAULT STIRRUP LOCATION



- NOTES:
- 1) REFER TO OPERATORS MANUAL M3203 FOR OPERATING INSTRUCTIONS.
  - 2) THE LONGEST PROTRUDING END OF THE SUPPORT ROD OR TUBING NEEDS TO EXTEND ON THE OPPOSITE SIDE OF THE DIRECTION THAT THE GATE JACK IS ROTATING.
  - 3) UNIT WEIGHT (LESS SUPPORT ROD OR TUBE): 75 LBS

© Copyright 2023 Martin Engineering. All rights reserved. Covered by U.S. and foreign patents pending and issued. RD and TM indicate trademarks of Martin Engineering.

MARTIN ENGINEERING  
NEPONSET, IL USA

TITLE	MARTIN® GATE JACK™
DRAWN	JMP
DATE	03/07/23
CHECKED	
ENG.	4/28
DATE	03/12/23
APPROVED	
DATE	03/31/23

A	REVISION IN SOLIDWORKS/CHGD DRW NO FROM 31725 TO 31725	16280	03/07/23	JMP
NO.	DESCRIPTION	ECH	DATE	BY
SOLIDWORKS	REVISION	SUPERSEDES SAME DATED	11/13/89	

SALES DRAWING

S31725 SCALE 3/8