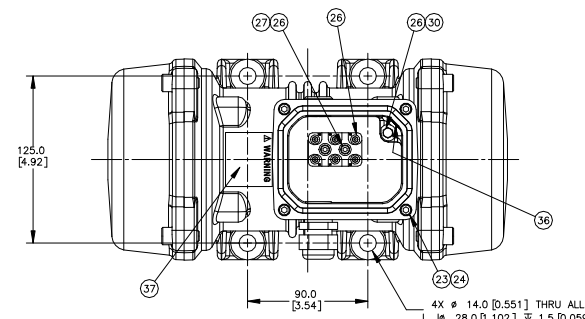
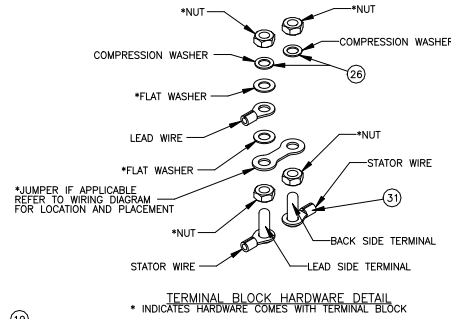
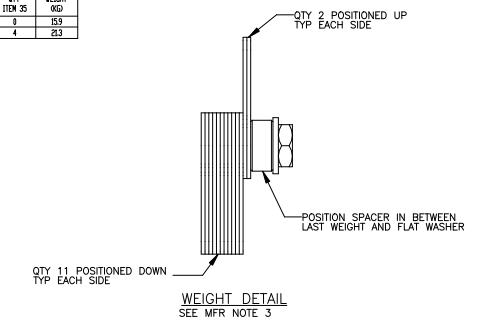
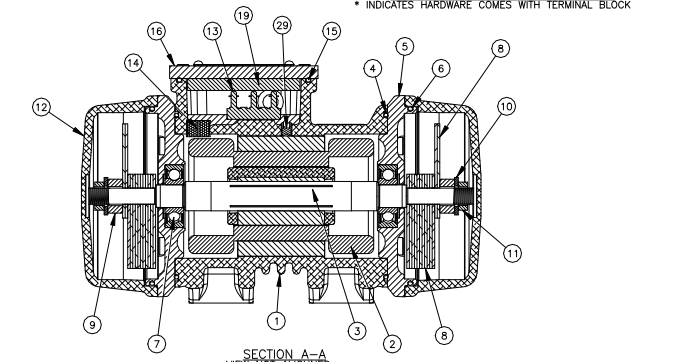


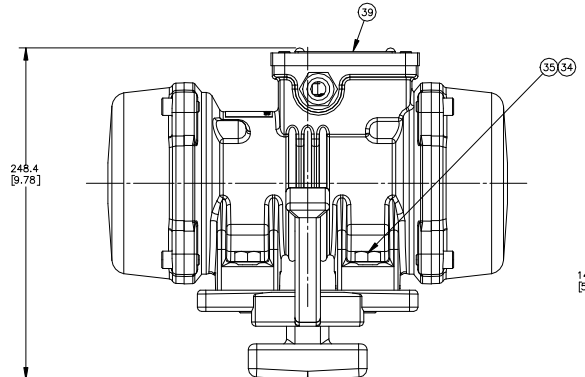
PART NUMBER	DESCRIPTION	P/N ITEM 28	QTY ITEM 28	QTY ITEM 34	QTY ITEM 35	WEIGHT QSG
MHF10UC2-S-O	MHF-1500 120V 60-100HZ 2PH 2 POLE STD SPEED NO WEDGE MFR	V-862807	0	0	0	15.9
MHF10UC2-S-W	MHF-1500 120V 60-100HZ 2PH 2 POLE STD SPEED W/ WEDGE MFR	V-862807	1	4	4	23.3



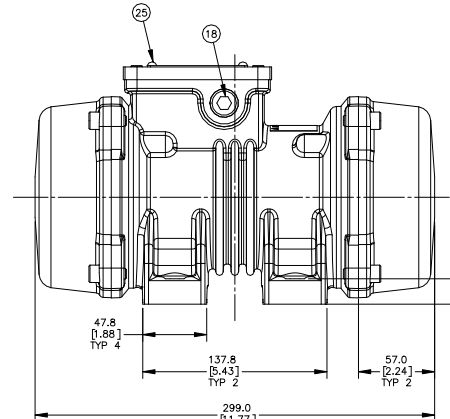
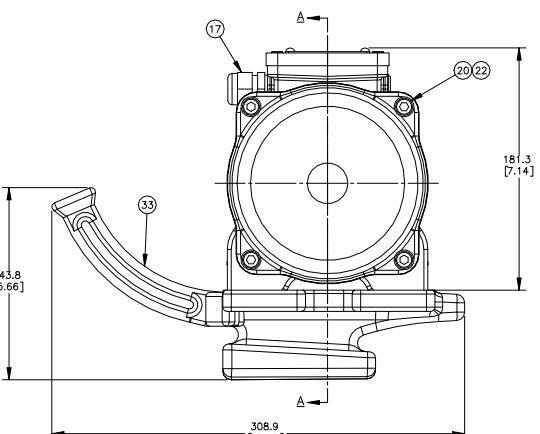
TERMINAL BOX COVER AND NAMEPLATE
REMOVED FOR CLARITY



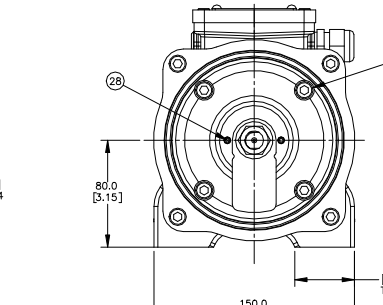
SECTION A-A
VIEW NOT ALIGNED



P/N MHF10UC02-S-W
SHOW IN FRONT VIEW AND RIGHT VIEW



P/N MHF10UC02-S-O
SHOW IN BACK VIEW, LEFT VIEW, AND TOP VIEW



WEIGHT COVER AND WEIGHTS
REMOVED FOR CLARITY

ITEM	QTY.	DESCRIPTION	PART NUMBER	ITEM TYPE
1	1	CASE MACHINED 4 BOLT 10 FR	801030	P
2	1	STATOR 220-230/380-460V 50/60HZ 3 PH 2 POLE 10 FR	810030-02	P
3	1	SHAFT ASSEMBLY WITH ROTOR 2 & 4 POLE 10 FR	803030	P
4	2	O-RING #247 4.609 ID X .139 CS VITON 75A	818012-V	P
5	2	BEARING FLANGE MACHINED 10 FR	802030	P
6	2	O-RING #250 4.984 ID X .139 CS N 70A	818011	P
7	2	BEARING RADIAL BALL 6303.2ZTRC3	815030	P
8	26	WEIGHT ECCENTRIC FIXED MHF 10 FRAME	V-807093	N
9	2	SPACER FOR ECCENTRIC WEIGHT 10 FR	CG-100471	N
10	2	WASHER FLAT M14 NARROW TYPE A ZP (P)	39587	P
11	2	NUT HEX JMW M14 X 1.5 CLASS 04 ZP (P)	CG-100463	P
12	2	WEIGHT COVER 10 FR	805030	P
13	1	TERMINAL BLOCK 6 STUD 40 X 25 X 10MM	812003	P
14	1	CABLE PROTECTION SHEATH 25MM X 25MM	814005	P
15	1	O-RING #240 3.734 ID X .139 CS VITON 75A	34687	P
16	1	TERMINAL BOX COVER 10 FR	806030	P
17	1	CORD GRIP LIQUID TIGHT NYLON 1/2NPT	194851	P
18	1	PLUS 1/2 NPT INTERNAL HEX ZP	39268	P
19	1	FOAM RUBBER STRIP 9.00 X 3.00 X 1.00	813003	P
20	16	WASHER COMP D8 SER SAFETY SCHNORR "VS" MAGNI 565	513004	P
21	8	SCREW SHC L8 W PROFILE HD M8 X 1.25 X 20 CL 8.8 BO (P)	39588	P
22	8	SCREW SHC M8 X 1.25 X 20 CL 12.9 GEO 321 (P)	515907	P
23	4	WASHER COMP D5 SER SAFETY SCHNORR "VS" MAGNI 565	CG-100460	P
24	4	SCREW SHC M5 X 0.8 X 14 CL 12.9 GEO 321 (P)	822021	P
25	4	SCREW DRIVE NO. 7 X 1/4 LG ZP (B)	32873	P
26	9	WASHER COMP D4 SER SAFETY SCHNORR "S" ZPY	513001	P
27	2	SCREW SHC M4 X 0.7 X 10 CL 12.9 BO (P)	515972	P
28	4	SCREW SS FLAT POINT M5 X 0.8 X 5 ALLOY STEEL BO (P)	CG-100461	P
29	1	SCREW SET HSCP M8 X 1.25 X 10 ALLOY STL BLACK (P)	509010	P
30	1	SCREW HHC M4 X 0.7 X 10 CL 8.8 ZP GREEN (P)	CG-100462	P
31	6	RING TRMNL CRIMP #8 STUD 20-18 AWG NON-INSUL (P)	SUS10071	P
NS	32	1 SWITCHBOX VFD FOR MHF10 VIBRATOR	SEE CHART	N
NS	33	S/C WEDGE BRACKET	223014	N
NS	34	S/C WASHER COMP BELLEVILLE 1/2: OD 1.00: THK .082 ZP	517702	N
NS	35	S/C SCREW HHC 1/2-13NC X 1-1/2 GR 5 ZP	11765	N
NS	36	1 STICKER GROUND SYMBOL	821001	P
NS	37	1 LABEL WARNING EXP ATMOSPHERE	821002	P
NS	38	1 WIRING DIAGRAM TAG	518213	P
NS	39	1 NAMEPLATE MARTIN SS	820003	N
NS	40	1 OPERATOR'S MANUAL	M3910	N

TERMINAL BLOCK HARDWARE DETAIL
* INDICATES HARDWARE COMES WITH TERMINAL BLOCK

NS = NOT SHOWN
S/C = SEE CHART

ITEM TYPE "P" EXIST IN PHANTOM BOM (MHF10XX02)
ITEM TYPE "N" IS A NORMAL ITEM UNDER INDIVIDUAL ASM P/N

- NOTES:
- 1) ALL DIMENSIONS ARE GIVEN IN MILLIMETERS, [INCHES].
 - 2) ALL DIMENSIONS ARE FOR REFERENCE ONLY.
 - 3) IN THE PART NUMBER THE "MHF" INDICATES A MARTIN HIGH FREQUENCY STYLE VIBRATOR WITH MM MOUNTING HOLE PATTERN. THE "10" INDICATES A 10 FRAME VIBRATOR. THE "UC" INDICATES THE VOLTAGE/HERTZ. UC = 120 VOLTS/60 HZ. THE "02" INDICATES A 2 POLE VIBRATOR. THE FIRST "X" INDICATES SPEED: -S = STANDARD SPEED -V = VARIABLE SPEED -W = WITH WEDGE -O (ZERO) = WITHOUT WEDGE.
 - 4) MOUNTING SURFACE OF EQUIPMENT FOR VIBRATOR IS TO BE FLAT WITHIN .5MM (.02) AND MUST BE ISO 10.
 - 5) OVERLOAD PROTECTION REQUIRED. REFER TO NATIONAL ELECTRICAL CODE ARTICLE 430 OR CONTACT MARTIN ENGINEERING.
 - 6) WEIGHT: SEE CHART.

- MANUFACTURING NOTES:
- 1) REFER TO WIRING DIAGRAM (P/N 518213) FOR WIRING OF STATOR WIRES AND LEAD WIRES TO THE TERMINAL BLOCK. REFERENCE "TERMINAL BLOCK HARDWARE DETAIL".
 - 2) FOLD AND PLACE WIRING DIAGRAM INSIDE THE TERMINAL BLOCK.
 - 3) ASSEMBLE ECCENTRIC WEIGHTS PER THE WEIGHT DETAIL. STANDARD WEIGHT SETTING: (1) WEIGHTS DOWN, 2 WEIGHTS UP) 4) STANDARD PAINT SCHEME: CASE: BLACK (PREPAINED) BEARING FLANGES: BLACK (PREPAINED). WEIGHT COVERS: MARTIN ORANGE (PREPAINED). TERMINAL BOX COVER: MARTIN ORANGE (PREPAINED).

NAMEPLATE STAMPING DETAIL																		
PART NUMBER	TYPE	SERIES	FORCE-LBS	RPM	HZ	VOLT	AMP	PH	KW	IN	HP	DUTY	DIAGRAM	LR CODE	CAP UP	INS CLASS	MAX AMB	IP
MHF10UC02-X-X	MHF-1500		1500	6000	60-100HZ	230	1.59	3	.21	.25	CONT	2A	P			F	40°C	IP66

NO.	DESCRIPTION	ECN	DATE	BY	DRAWING NUMBER	SCALE
1	NAMEPLATE STAMPING DETAIL - CHGD "TM"	16397	06/13/23	MJB	PR14470	MHF10UC02-X-X

© Copyright 2023 Martin Engineering. All rights reserved. Covered by U.S. and foreign patents pending and issued. 80 Days 144 inducible trademarks of Martin Engineering.

MARTIN ENGINEERING
NEPONSET, IL USA

TITLE: MHF-1500 120V 60 HZ 2 PH 2 POLE 10 FR STD OR VARIABLE SPEED W/ OR W/O WEDGE

DATE: 03/24/23
DRAWN: JLD
CHECKED: [Signature]
ENG: JAK
DATE: 05/08/23
I.E.: [Signature]
DATE: 05/08/23
APPROVED: JAK
DATE: 05/08/23