

martin®

Martin® ***QC1***™ ***Cleaner***
HD Max

[Go to Martin® QC1™ Cleaner HD Max web page](#)



Operator's Manual
M3886

Important

MARTIN ENGINEERING HEREBY DISCLAIMS ANY LIABILITY FOR: DAMAGE DUE TO CONTAMINATION OF THE MATERIAL; USER'S FAILURE TO INSPECT, MAINTAIN AND TAKE REASONABLE CARE OF THE EQUIPMENT; INJURIES OR DAMAGE RESULTING FROM USE OR APPLICATION OF THIS PRODUCT CONTRARY TO INSTRUCTIONS AND SPECIFICATIONS CONTAINED HEREIN. MARTIN ENGINEERING'S LIABILITY SHALL BE LIMITED TO REPAIR OR REPLACEMENT OF EQUIPMENT SHOWN TO BE DEFECTIVE.

Observe all safety rules given herein along with owner and Government standards and regulations. Know and understand lockout/tagout procedures as defined by American National Standards Institute (ANSI) z244.1-1982, *American National Standard for Personnel Protection - Lockout/Tagout of Energy Sources - Minimum Safety Requirements* and Occupational Safety and Health Administration (OSHA) Federal Register, Part IV, 29 CFR Part 1910, *Control of Hazardous Energy Source (Lockout/Tagout); Final Rule*.

The following symbols may be used in this manual:



Danger: Immediate hazards that will result in severe personal injury or death.



Warning: Hazards or unsafe practices that could result in personal injury.



Caution: Hazards or unsafe practices that could result in product or property damages.



Important: Instructions that must be followed to ensure proper installation/operation of equipment.



Note: General statements to assist the reader.

Table of Contents

Section	Page
List of Figures	ii
Introduction	1
General	1
Installations without chutework	1
Belt cleaner inspection access	1
References	1
Materials Required	1
Urethane Shelf Life	2
Safety	3
Before Installing Belt Cleaner	4
Installing Belt Cleaner and Tensioner	7
Locating belt cleaner mainframe	7
Removing blade	8
Installing tensioner	8
Installing blade	8
After Installing Belt Cleaner	9
Weekly Maintenance	10
Troubleshooting	11
Part Numbers	12

List of Figures

Figure	Title	Page
1	Belt Cleaner Mounting Locations	5
2	Belt Cleaner Mainframe Location & Chute Wall Cutouts	7
3	Removing and Installing Blade.	8
4	Martin® QC1™ Cleaner HD Max Assembly, P/N 38926-XXXXXXXX	13
5	Martin® QC1™ Cleaner HD Max Dual Blade Assembly, P/N 38926DXXXXXXXX.	15

List of Tables

Table	Title	Page
I	Martin® QC1™ Cleaner HD Max Blade Colors, Materials, and Specifications	2
II	Urethane Shelf Life.	2
III	Martin® QC1™ Cleaner HD Max Assembly Part Numbers	14
IV	Martin® QC1™ Blade HD Max	14
V	Martin® QC1™ Cleaner HD Max Dual Blade Assembly Part Numbers.	16
VI	Dual Martin® QC1™ Blade HD Max	16

Introduction

General

The Martin® QC1™ Cleaner HD Max combines effective removal of carryback with a long-lasting, one-piece blade. To introduce product back into the product flow, the Martin® QC1™ Cleaner HD Max is installed on the face of the head pulley. On a dual-cleaner system, a Secondary Cleaner is installed immediately following the Pre-Cleaner to remove stubborn material left on the conveyor belt. If a Pre-Cleaner cannot be used because of space limitations, Secondary Cleaners can be installed alone. Multiple Pre-Cleaners and/or Secondary Cleaners may be required to clean the belt. If the material-handling process or product could be affected by contamination from the use of these belt cleaners, the user is responsible for taking the necessary steps to prevent contamination. Consult Martin Engineering or a representative for alternate belt cleaners or belt cleaner locations to use where contamination may be an issue.

Installations without chutework

These procedures were written for equipment that is being installed on enclosed pulley chutework. If the pulley is not enclosed, the equipment should be installed using the best available field resources and methods to ensure that the critical dimensions are followed for proper installation.

Belt cleaner inspection access

If the belt cleaner is installed on enclosed pulley chutework, at least one Martin® Inspection Door should be installed. Martin® Inspection Doors are available from Martin Engineering or a representative.

References

The following documents are referenced in this manual:

- American National Standards Institute (ANSI) z244.1-1982, *American National Standard for Personnel Protection - Lockout/Tagout of Energy Sources - Minimum Safety Requirements*, American National Standards Institute, Inc., 1430 Broadway, New York, NY 10018.
- Federal Register, Volume 54, Number 169, Part IV, 29 CFR Part 1910, *Control of Hazardous Energy Source (Lockout/Tagout); Final Rule*, Department of Labor, Occupational Safety and Health Administration (OSHA), 32nd Floor, Room 3244, 230 South Dearborn Street, Chicago, IL 60604.
- Martin® *Inspection Door Operator's Manual*, P/N M3891
- Martin® *Universal Spring Tensioner XHD, HD Max and PD Operator Manual*, P/N M3512

Materials required

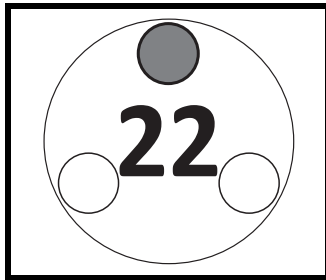
Installation of this equipment requires the use of standard hand tools, grinder, welder, and cutting torch.

Table I. Martin® QC1™ Cleaner HD Max Blade Colors, Materials and Specifications

URETHANE SELECTION	APPLICATION DESCRIPTION	TYPICAL MATERIALS	CONTINUOUS TEMPERATURE
Orange	Standard Martin® Urethane Suitable for 80% or more of all belt cleaner applications, including abrasive conditions. Best choice for exposure to solvents or oil.	Bauxite, Coke, Coal, Overburden Refuse Steel/Ore, All Other	-20° to 160°F (-29° to 71°C)
Brown (BR)	Chemical-Resistant Urethane Improves resistance to chemicals; reduced absorption of water in high-moisture environments.	Limestone	-40° to 160°F (-40° to 71°C)
Green (GR)	High-Temperature Urethane For exposure to intermittent temperatures up to 350°F (177°C).	Clinker	-40° to 300°F (-40° to 149°C)
Clear (CL)	Low-Rigidity Urethane For dry products such as sand and gravel.	Gravel, Dry Sand	-20° to 160°F (-29° to 71°C)
Navy Blue (NB)	Low-Adhesion Urethane For sticky or tacky materials.	Cement, Glass, Wood Chips	-20° to 160°F (-29° to 71°C)

IMPORTANT*Urethane shelf life*

Urethane put in service after exceeding it's shelf life may wear differently and deteriorate quicker than normal urethane.

NOTE

Code Date is written near bottom of blade as mm/dd/yy-x. In addition to or in place of this date, you may see an imprinted date medallion similar to the example shown. In this example, “22” stands for the year 2022. The small circles represent the quarter of the year. If three circles are “punched” the blade was produced in the first quarter. If none of the circles are “punched” the blade was produced in the fourth quarter. If code date on your blade(s) is not legible or is missing, contact Martin Engineering or a representative.

Table II. Urethane Shelf Life

Blade Color	Shelf Life
Blue	1 Year from Code Date
Brown	2 Years from Code Date
Clear	1 Year from Code Date
Green	2 Years from Code Date
Orange	1 Year from Code Date

Safety

All safety rules defined in the above documents and all owner/employer safety rules must be strictly followed when working on the belt cleaner.



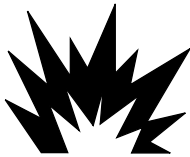
⚠ DANGER

Do not touch or go near the conveyor belt or conveyor accessories when the belt is running. Your body or clothing can get caught and you can be pulled into the conveyor, resulting in severe injury or death.



⚠ DANGER

Before installing, servicing, or adjusting the belt cleaner, turn off and lockout / tagout / blockout / testout all energy sources to the conveyor and conveyor accessories according to ANSI standards. Failure to do so could result in serious injury or death.



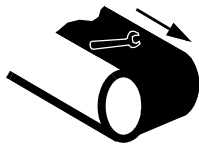
⚠ DANGER

If this equipment will be installed in an enclosed area, test the gas level or dust content before using a cutting torch or welding. Using a torch or welding in an area with gas or dust may cause an explosion resulting in serious injury or death. Follow local confined space procedures.



⚠ WARNING

Before using a cutting torch or welding the chute wall, cover the conveyor belt with a fire retardant cover. Failure to do so can allow the belt to catch fire. Follow local fire watch procedures.



⚠ WARNING

Remove all tools from the installation area and conveyor belt before turning on the conveyor. Failure to do so can cause serious injury to personnel or damage to the belt and conveyor.



⚠ WARNING

Mainframe with blade can be heavy and may require two people to lift. Attempting to lift the belt cleaner without assistance could result in injury.

Before Installing Belt Cleaner

IMPORTANT

The delivery service is responsible for damage occurring in transit. Martin Engineering CANNOT enter claims for damages. Contact your transportation agent for more information.

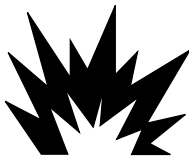
1. Inspect shipping container for damage. Report damage to delivery service immediately and fill out delivery service's claim form. Keep any damaged goods subject to examination.
2. Remove belt cleaner assembly from shipping container.
3. If anything is missing contact Martin Engineering or a representative.



⚠ DANGER

Before installing, servicing, or adjusting the belt cleaner, turn off and lockout / tagout / blockout / testout all energy sources to the conveyor and conveyor accessories according to ANSI standards. Failure to do so could result in serious injury or death.

4. Turn off and lockout / tagout / blockout / testout energy source according to ANSI standards (see "References").



⚠ DANGER

If this equipment will be installed in an enclosed area, test the gas level or dust content before using a cutting torch or welding. Using a torch or welding in an area with gas or dust may cause an explosion resulting in serious injury or death. Follow local confined space procedures.

5. If using a cutting torch or welding, test atmosphere for gas level or dust content. Cover conveyor belt with fire retardant cover.

IMPORTANT

Center the belt cleaner blades to clean an area narrower than the conveyor belt width. This allows for side-to-side movement of the belt and prevents damage to the belt edge.

NOTE

The chute wall that the tensioner will be located on is referred to as the "operator side." The other side of the chute is referred to as the "far side." (If installing dual tensioners, side that is most accessible is "operator side.")

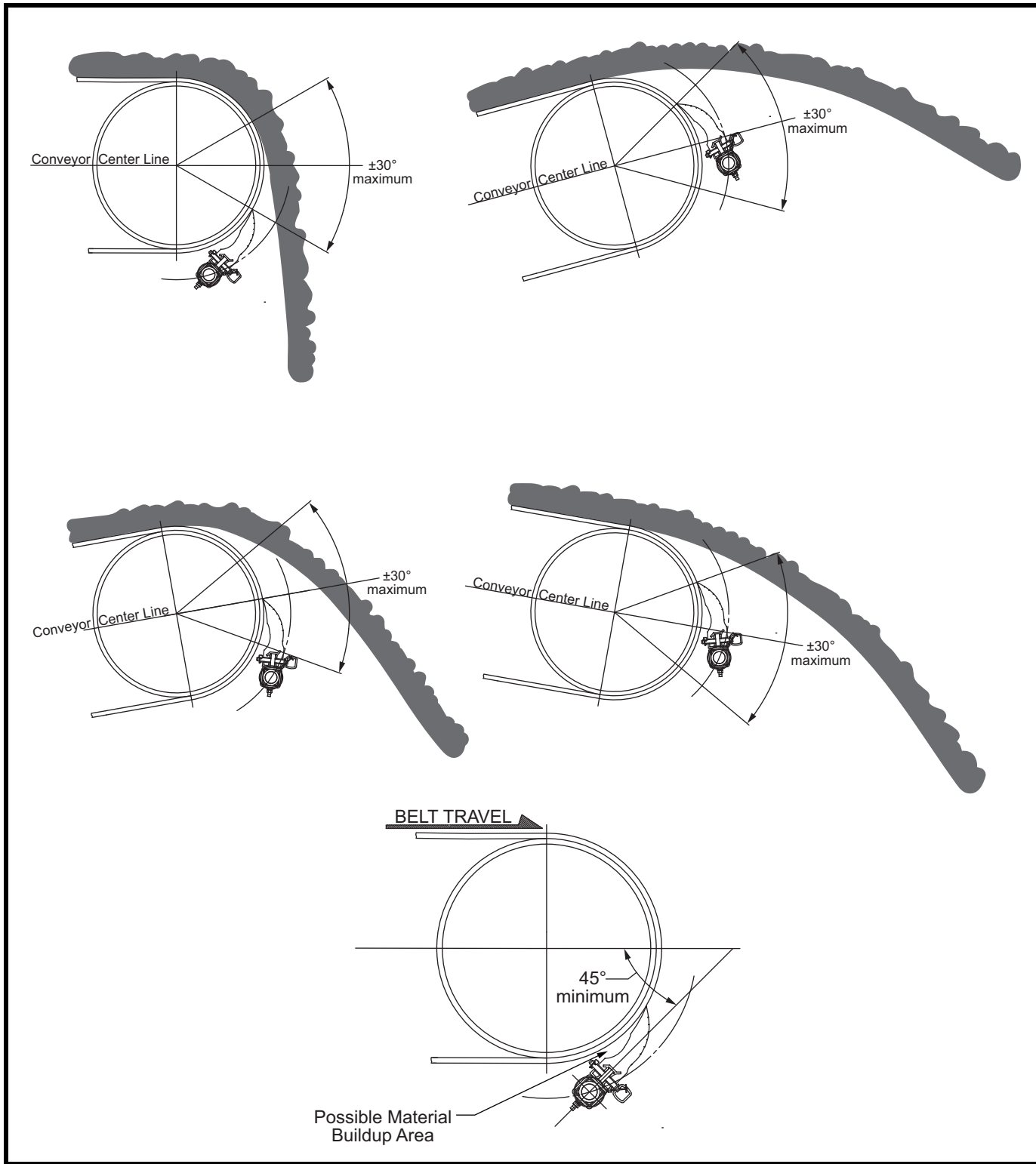


Figure 1. Belt Cleaner Mounting Locations

6. Inspect belt cleaner mounting area for possible obstructions that could interfere with proper mounting. Refer to following guidelines:
 - a. The cleaner can be mounted anywhere on the arc from +30 degrees to -30 degrees from a center line parallel to the belt line as long as:
 - (1) The blade is not in the direct flow of discharging material causing premature blade wear.
 - (2) The diameter of the pulley is big enough that the blade does not trap or hold material between the inside of the blade and the belt.
 - (3) There is at least the equivalent of a 45 degree angle between the blade and belt to prevent material buildup in this space.
 - b. Lack of service is the main cause of poor belt cleaning performance. Follow CEMA guidelines for access:
 - (1) Clearance for service outside the chute must be at least equal to the belt width.
 - (2) Cleaners must have service platforms. CEMA recommends cleaners be mounted at least 24 in. (600 mm) above the work platform.
 - (3) If the belt width is 54 in. (1400 mm) or larger consider access doors on both sides of the chute.
 - c. Refer to “Installing Belt Cleaner and Tensioner” and “Part Numbers” sections of this manual for specific mounting and cleaner dimensions.

Installing Belt Cleaner and Tensioner

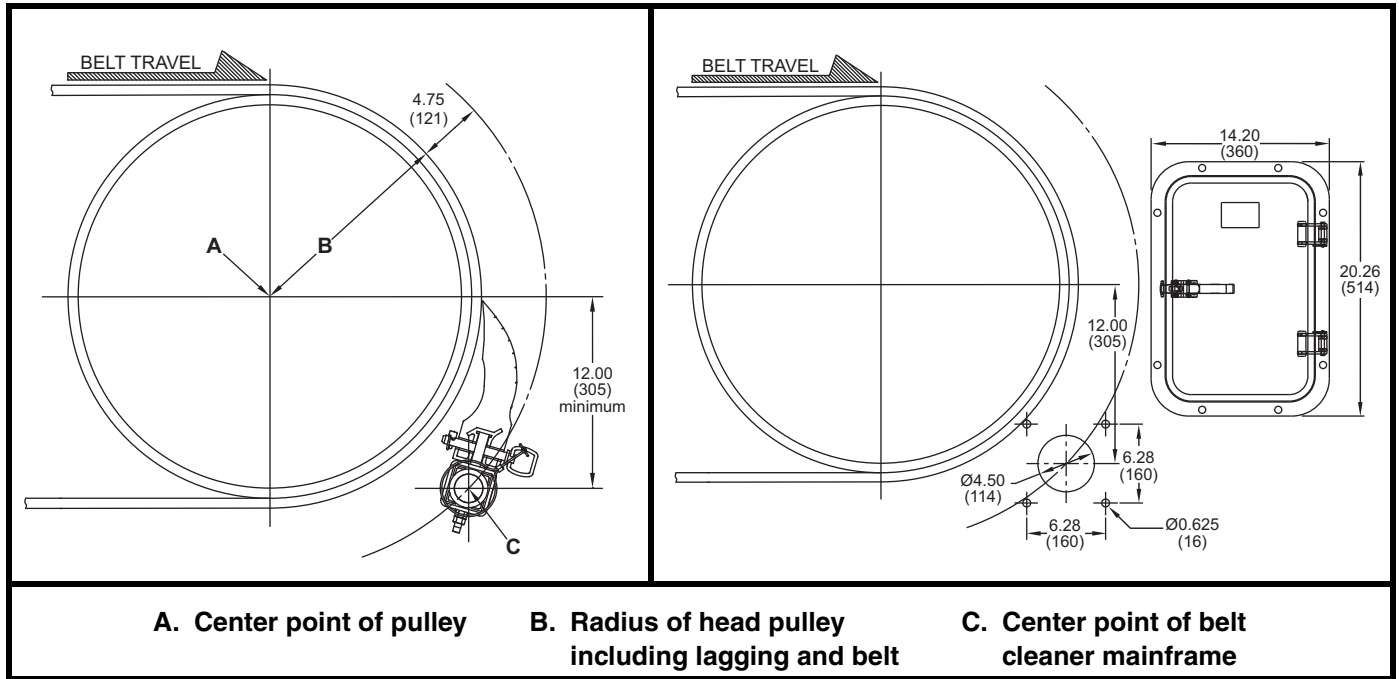


Figure 2. Belt Cleaner Mainframe Location & Chute Wall Cutouts

Locating belt cleaner mainframe

1. On operator side of chute, find pulley center point (A).
2. Measure radius of head pulley including lagging and belt thickness (B). To this dimension, add 4.75 in.
3. Starting from center point (A), measure the total distance calculated in step 2 (B + 4.75 in.) and draw an arc on chute wall.
4. Measure down from pulley's horizontal centerline the distance shown in Figure 2 and draw a horizontal line parallel to it. Locate center point of belt cleaner mainframe (C) where this line intersects the arc on the chute wall.
5. Make sure mainframe and blade do not lie in path of material unloading from conveyor belt.
6. Repeat steps 1 through 5 for far side chute wall.
7. Drill or cut holes for tensioner mounting plates on chute walls as follows:
 - a. If bolting tensioner mounting plates to chute walls, do the following:
 - (1) Drill or cut one 4.50-in. hole for mainframe and four 5/8-in. holes for screws in both operator side and far side chute walls. Remove burrs and sharp edges.
 - b. If welding tensioner mounting plates to chute walls, do the following:
 - (1) Drill or cut one 4.50-in. hole for mainframe in both operator side and far side chute walls. Remove burrs and sharp edges.
8. If using Martin® Inspection Door, cut access door opening and mounting holes according to *Martin® Inspection Door Operator's Manual*, P/N M3891.

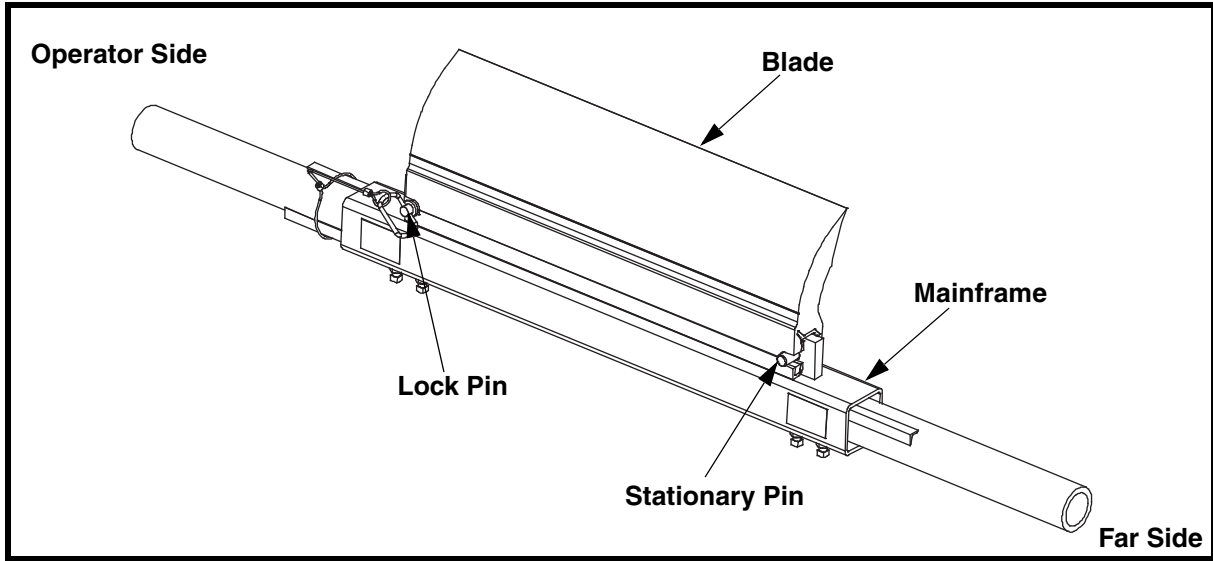


Figure 3. Removing and Installing Blade

Removing blade

1. Disengage lock pin from operator side of mainframe and blade.
2. Pull blade away from stationary pin on far side of mainframe, and remove from mainframe. Make sure lock pin lanyard remains attached to mainframe.

Installing tensioner

1. Install tensioner according to applicable tensioner's manual.
2. If using Martin® Inspection Door, install according to *Martin® Inspection Door Operator's Manual*, P/N M3891.

Installing blade

1. Position blade on mainframe with blade curve facing conveyor belt. Push far side end of blade against stationary pin until it locks.
2. Insert lock pin in mainframe and blade.
3. Make sure blades are centered on belt and mainframe is parallel to belt.
4. Tension belt cleaner according to applicable tensioner's manual.

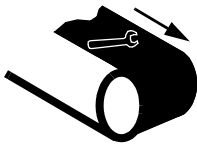
After Installing Belt Cleaner



1. Thoroughly wipe chute wall clean above tensioner.
2. Place Conveyor Products Warning Label (P/N 23395) on outside chute wall visible to belt cleaner operator.
3. Additional safety labels are available from CEMA. For more information regarding CEMA safety labels visit www.cemanet.org.

⚠ WARNING

Failure to remove tools from installation area and conveyor belt before turning on energy source can cause serious injury to personnel and damage to belt.



⚠ DANGER

Do not touch or go near conveyor belt or conveyor accessories when conveyor belt is running. Body or clothing can get caught and pull body into conveyor belt, causing severe injury or death.



4. Turn on conveyor belt for 1 hour, then turn off.

⚠ DANGER

Before installing, servicing, or adjusting the belt cleaner, turn off and lockout / tagout / blockout / testout all energy sources to the conveyor and conveyor accessories according to ANSI standards. Failure to do so could result in serious injury or death.



- a. Make sure all fasteners are tight. Tighten if necessary.
- b. Inspect belt cleaner for the following:
 - (1) Wear. (A small amount of “break-in” wear may be found. This will stop once blades wear to conveyor belt contour.)
 - (2) Material buildup. (No material between blades and return side of conveyor belt should be found.)
- c. If wear, material buildup, or some other problem exists, see “Troubleshooting.”

Weekly Maintenance

IMPORTANT

Read entire section before beginning work.

NOTE

Maintenance inspection should be performed no less than weekly. Some applications may require more frequent maintenance inspections.



⚠ DANGER

Before installing, servicing, or adjusting the belt cleaner, turn off and lockout / tagout / blockout / testout all energy sources to the conveyor and conveyor accessories according to ANSI standards. Failure to do so could result in serious injury or death.

1. Remove any material from belt cleaner.
2. Make sure all fasteners are tight. Tighten if necessary.
3. Check tension on cleaner. Re-tension if necessary.
4. Wipe all labels clean. If labels are not readable, contact Martin Engineering or a representative for replacements.
5. Check blades for excessive wear. Replace if necessary.
6. Remove equipment from service if there is any indication it is not functioning properly. Call Martin Engineering or a representative for assistance. Do NOT return equipment to operation until the cause of the problem has been identified and corrected.

⚠ WARNING

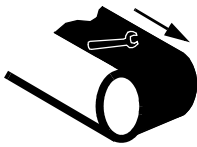
Failure to remove tools from maintenance area and conveyor belt before turning on energy source can cause serious injury to personnel and damage to belt.

7. Remove all tools from maintenance area.

⚠ DANGER

Do not touch or go near conveyor belt or conveyor accessories when conveyor belt is running. Body or clothing can get caught and pull body into conveyor belt, causing severe injury or death.

8. Start conveyor belt. Observe belt cleaner operation for several revolutions of the belt. Service or adjust belt cleaner as necessary to ensure proper belt cleaner operation.



Troubleshooting

Symptom	Corrective Action
Insufficient cleaning and carryback.	<ul style="list-style-type: none"> • Tension of cleaner on belt is set too low or too high. Increase or decrease tensioner setting. • Blades are worn. Check blades and replace if necessary.
Blade wears only in the center.	<ul style="list-style-type: none"> • Use a segmented style blade for crown pulleys. • Consider narrowing the blade width to clean the middle of the belt.
Noise or vibration.	Tension is not sufficient or is set too high. Correct tension as necessary. If this does not correct problem, blade urethane may not match application. Contact Martin Engineering or representative.
High blade wear rate.	Tension of cleaner on belt is set too high. Reduce tensioner setting.
Unusual wear or damage to blades.	Check belt splice(s) and repair as necessary.
Bent or broken mainframe or support frame due to blade slipping through.	If blades are worn to or past the wear line, replace blades. If blades are not worn, check mainframe location.
Corrosion or chemical degradation.	Blade urethane may not match application. Contact Martin Engineering or a representative.

NOTE

Conveyor equipment such as conveyor belt cleaners are subject to a wide variety of bulk materials characteristics and often have to perform under extreme operating or environmental conditions. It is not possible to predict all circumstances that may require troubleshooting. Contact Martin Engineering or a representative if you are experiencing problems other than those listed in the “Troubleshooting” chart above. Do not return the equipment to operation until the problem has been identified and corrected.

Installation checklist

If after taking the corrective actions suggested under “Troubleshooting” you are still experiencing problems, check for the following:

Installation Checklist
✓ Pre-Cleaner mainframe is proper distance from belt surface on both ends of mainframe and parallel to the pulley shaft.
✓ Pre-Cleaner blade tip does not lie in path of material flow.
✓ Blades are centered on belt.

Part Numbers

This section provides product names and corresponding part numbers for Martin® QC1™ Cleaner HD Max and related equipment. Please reference part numbers when ordering parts:

Martin® QC1™ Cleaner HD Max

Martin® QC1™ Cleaner HD Max Assembly:
P/N 38926-XXXXXXX. See Figure 4.

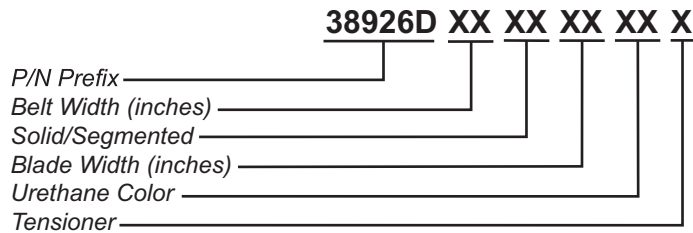
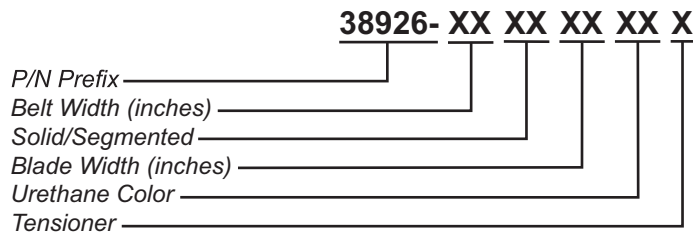
Martin® QC1™ Cleaner HD Max Assembly:
P/N 38926DXXXXXXXXX. See Figure 5.

Recommended Tensioners

Martin® Spring Tensioner HD Max Assembly: P/N 38947.

Dual Martin® Spring Tensioner HD Max Assemblies: P/N 38947-2.

NOMENCLATURE



SOLID/SEGMENTED

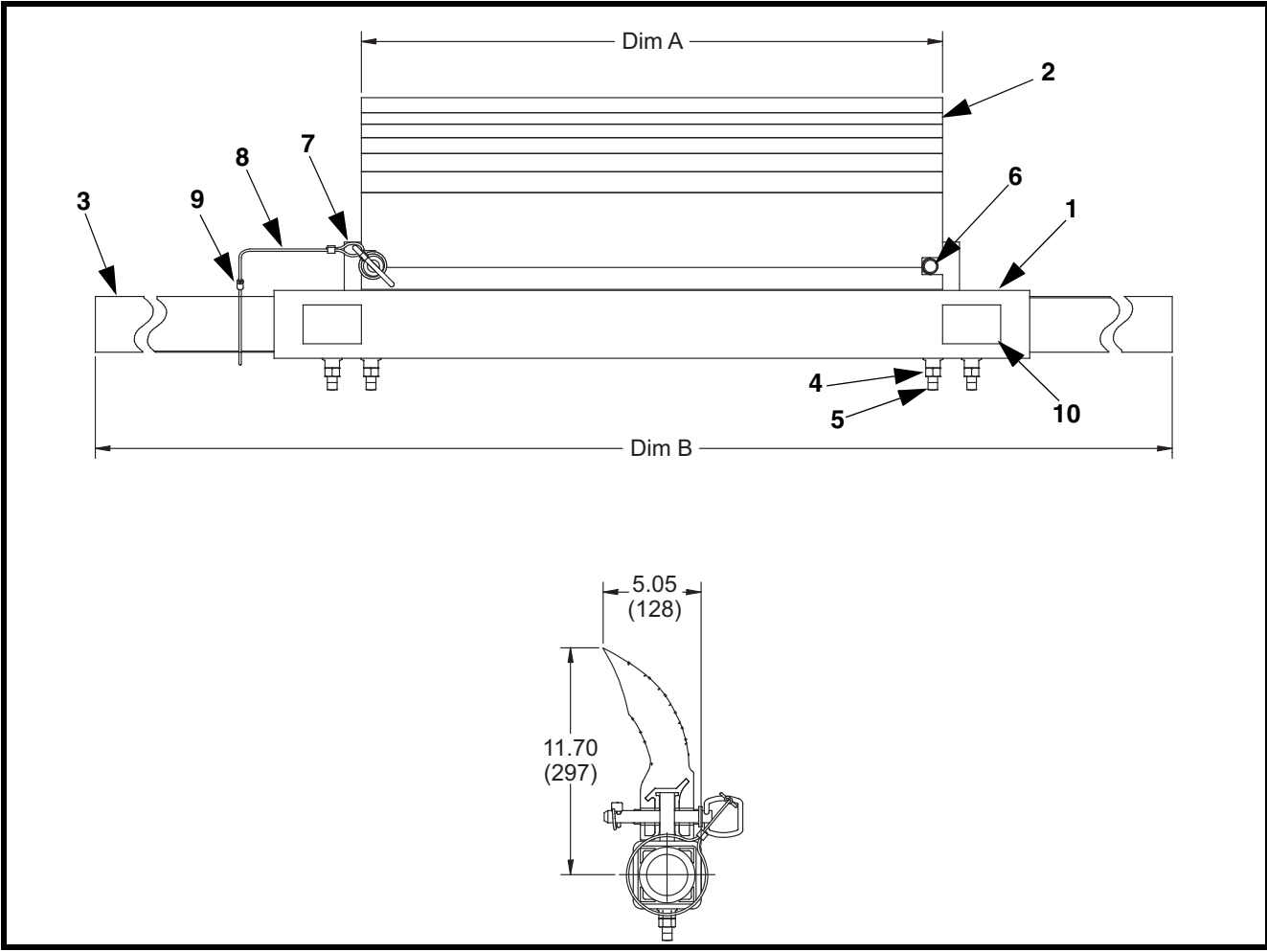
- 11 Solid Blade
- 10 Segmented Blade

URETHANE COLOR

- BR for Brown
- CL for Tan
- GR for Green
- NB for Navy Blue
- Blank for Orange

TENSIONER

- T for Martin® Spring Tensioner HD Max



Item	Description	Part no.	Qty
1	Mainframe Weldment	Table III	1
2	Blade	Table III	1
3	End Weldment	Table III	2
4	Nut Hex 1/2-13NC ZP	11771	4
5	Screw SHS 1/2-13NC x 1-1/2 SS	33190	4
6	Knurled Pin 3/4 Dia. ZP	36046	1
7	Pin Snap Lock 5/8 x 4.00 ZP	36976	1
8	Cable Aircraft 1/8 Dia.	100107	2.5
9	Cable Clip for 1/8 Dia. Cable	23481	2
10	Label Martin® Product	38048	2
NS	Spring Tensioner	Table III	1
NS	Operator's Manual	M3886	1
NS	Label Conveyor Products Warning	23395	2

NS = Not Shown

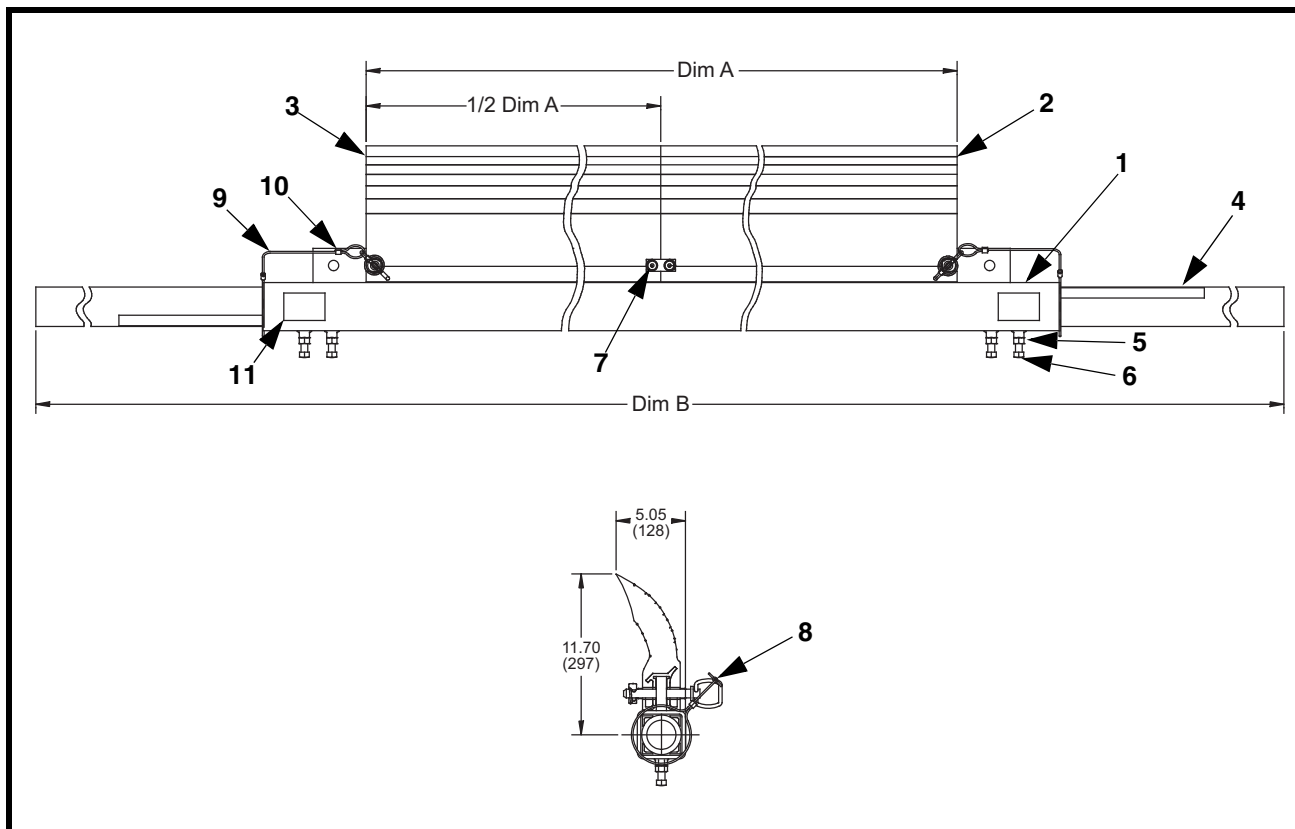
Figure 4. Martin® QC1™ Cleaner HD Max Assembly, P/N 38926-XXXXXXX

Table III. Martin® QC1™ Cleaner HD Max Assembly Part Numbers

Part No.	Dim A Blade Length	Dim B Frame Length	Part No. Item 1	Part No. Item 2	Part No. Item 3	Part No. Item 11
38926-24XX12XXX	12.00 (305)	72.00 (1829)	36231-24	38900-18XXXX	32332-03	38947
38926-24XX18XXX	18.00 (457)	72.00 (1829)	36231-24	38900-24XXXX	32332-03	38947
38926-30XX18XXX	18.00 (457)	78.00 (1981)	36231-30	38900-24XXXX	32332-03	38947
38926-30XX24XXX	24.00 (610)	78.00 (1981)	36231-30	38900-30XXXX	32332-03	38947
38926-36XX24XXX	24.00 (610)	84.00 (2134)	36231-36	38900-30XXXX	32332-04	38947
38926-36XX30XXX	30.00 (762)	84.00 (2134)	36231-36	38900-36XXXX	32332-04	38947
38926-42XX30XXX	30.00 (762)	90.00 (2286)	36231-42	38900-36XXXX	32332-04	38947
38926-42XX36XXX	36.00 (914)	90.00 (2286)	36231-42	38900-42XXXX	32332-04	38947
38926-48XX36XXX	36.00 (914)	96.00 (2438)	36231-48	38900-42XXXX	32332-04	38947
38926-48XX42XXX	42.00 (1067)	96.00 (2438)	36231-48	38900-48XXXX	32332-04	38947-2
38926-54XX42XXX	42.00 (1067)	102.00 (2591)	36231-54	38900-48XXXX	32332-04	38947-2
38926-54XX48XXX	48.00 (1219)	102.00 (2591)	36231-54	38900-54XXXX	32332-04	38947-2
38926-60XX48XXX	48.00 (1219)	108.00 (2743)	36231-60	38900-54XXXX	32332-04	38947-2
38926-60XX54XXX	54.00 (1372)	108.00 (2743)	36231-60	38900-60XXXX	32332-04	38947-2
38926-66XX54XXX	54.00 (1372)	114.00 (2896)	36231-66	38900-60XXXX	32332-04	38947-2
38926-66XX60XXX	60.00 (1524)	114.00 (2896)	36231-66	38900-66XXXX	32332-04	38947-2
38926-72XX60XXX	60.00 (1524)	120.00 (3048)	36231-72	38900-66XXXX	32332-04	38947-2
38926-72XX66XXX	66.00 (1676)	120.00 (3048)	36231-72	38900-72XXXX	32332-04	38947-2

Table IV. Martin® QC1™ Blade HD Max

Assembly Part No.	Color
38926-XXXXX	Orange
38926-XXXXBRX	Brown
38926-XXXXCLX	Tan
38926-XXXXGRX	Green
38926-XXXXNBX	Navy Blue
38926-XXXXYLX	Yellow



Item	Description	Part no.	Qty
1	Mainframe Weldment	Table V	1
2	Blade Right	Table V	1
3	Blade Left	Table V	1
4	End Weldment	Table V	2
5	Nut Hex 1/2-13NC ZP	11771	4
6	Screw SHS 1/2-13NC x 1-1/2 SS	33190	4
7	Knurled Pin 3/4 Dia. ZP	36046	2
8	Pin Snap Lock 5/8 x 4.00 ZP	36976	2
9	Cable Aircraft 1/8 Dia.	100107	5
10	Cable Clip for 1/8 Dia. Cable	23481	4
11	Label Martin® Product	38048	2
NS	Dual Spring Arm Tensioner	38947-2	1
NS	Operator's Manual	M3886	1
NS	Label Conveyor Products Warning	23395	2

NS = Not Shown

**Figure 5. Martin® QC1™ Cleaner HD Max Dual Blade Assembly,
P/N 38926DXXXXXXXXXX**

Table V. Martin® QC1™ Cleaner HD Max Dual Blade Assembly Part Numbers

Part No.	Part No. Item 1	Part No. Item 2	Part No. Item 3
38926D54X148XXX	36231D-54	38900D54X148XXR	38900D54X148XXL
38926D60X154XXX	36231D-60	38900D60X154XXR	38900D60X154XXL
38926D72X166XXX	36231D-72	38900D72X166XXR	38900D72X166XXL
38926D84X172XXX	36231D-84	38900D84X172XXR	38900D84X172XXL
38926D84X178XXX	36231D-84	38900D84X178XXR	38900D84X178XXL
38926D96X184XXX	36231D-96	38900D96X184XXR	38900D96X184XXL
38926D96X190XXX	36231D-96	38900D96X190XXR	38900D96X190XXL
38926D102X196XXX	36231D-102	38900D102X196XXR	38900D102X196XXL
38926D114X1108XXX	36231D-120	38900D114X1108XXR	38900D114X1108XXL
38926D120X1114XXX	36231D-120	38900D120X1114XXR	38900D120X1114XXL

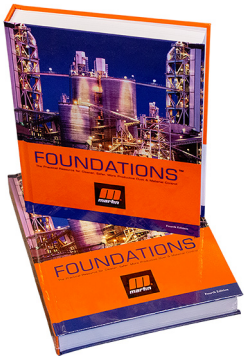
Part No.	Dim A	Dim B
38926D54X148XXX	48.00 (1219)	102.00 (2591)
38926D60X154XXX	54.00 (1372)	108.00 (2743)
38926D72X166XXX	66.00 (1676)	120.00 (3048)
38926D84X172XXX	72.00 (1829)	132.00 (3353)
38926D84X178XXX	78.00 (1981)	132.00 (3353)
38926D96X184XXX	84.00 (2134)	144.00 (3658)
38926D96X190XXX	90.00 (2286)	144.00 (3658)
38926D102X196XXX	96.00 (2438)	150.00 (3810)
38926D114X1108XXX	108.00 (2743)	168.00 (4267)
38926D120X1114XXX	114.00 (2896)	168.00 (4267)

Table VI. Dual Martin® QC1™ Blade HD Max

Assembly Part No.	Color
38926DXXXXXXX	Orange
38926DXXXXXBRX	Brown
38926DXXXXXCLX	Tan
38926DXXXXXGRX	Green
38926DXXXXXNBX	Navy Blue
38926DXXXXXYLX	Yellow

Any product, process, or technology described here may be the subject of intellectual property rights reserved by Martin Engineering Company. Trademarks or service marks designated with the ® symbol are registered with the U.S. Patent and Trademark Office and may be proprietary in one or more countries or regions. Other trademarks and service marks belonging to Martin Engineering Company in the United States and/or other countries or regions may be designated with the “TM” and “SM” symbols. Brands, trademarks, and names of other parties, who may or may not be affiliated with, connected to, or endorsed by Martin Engineering Company, are identified wherever possible. Additional information regarding Martin Engineering Company’s intellectual property can be obtained at www.martin-eng.com/trademarks.

Problem Solved™ ***GUARANTEED!***



For nearly 30 years, Martin Engineering's Foundations™ Books have taught industry personnel to operate and maintain clean and safe belt conveyors. The Foundations™ Book, fourth edition, focuses on improving belt conveyors by controlling fugitive material. "The Practical Resource for Total Dust and Material Control," is a 576-page hard cover volume that provides information of value to industries where the efficient handling of bulk materials is a key to productivity and profitability.

Expanding upon the book, our Foundations™ Training Program addresses the design and development of more productive belt conveyors, and is offered in three customizable seminars. Attendees gain a better understanding of conveyor safety and performance, helping to justify upgrade investments and increase profitability.



Martin Engineering USA

One Martin Place
Neponset, IL 61345-9766 USA
800 544 2947 or 309 852 2384
Fax 800 814 1553
www.martin-eng.com

**COMPANY WITH
QUALITY SYSTEM
CERTIFIED BY DNV GL
= ISO 9001 =**