

Martin® VPlow HD

The **Martin® VPlow HD** is an economical solution for tail protection in medium- to heavy-duty applications. Can be used on belts with belt speeds up to 900 fpm (4.6 m/sec).

Easily replaceable blade provides 2 in. (50 mm) of wear life. Blade is available in 60 Shore A Durometer Nitrile rubber or long-wearing 90 Shore A Durometer urethane.



NOMENCLATURE — BUS14092 XX X X X XX X

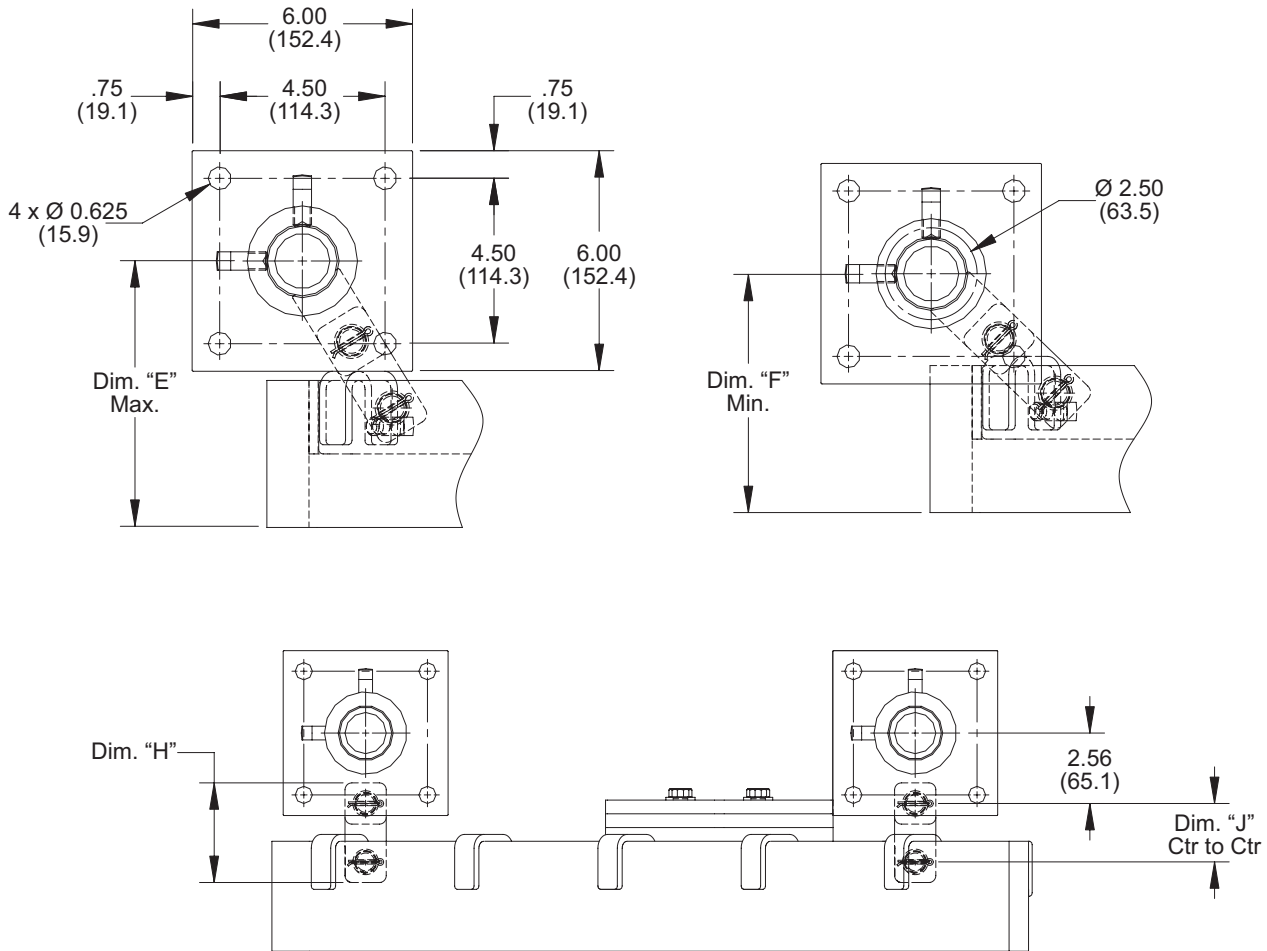
1. Part Number Prefix
2. The first XX indicates belt width.
XX = indicates inches (18–96 inches)
A8 = 108 inches
C0 = 120 inches
3. The next X indicates blade type:
R = Rubber Blade
U = Urethane Blade
4. The next X indicates arm length:
0 = 3.63 in. (92 mm)
1 = 6.88 in. (175 mm)
2 = 9.88 in. (251 mm)
3 = 14.00 in. (356 mm)
4 = 8.88 in. (225 mm)
5 = 7.00 in. (178 mm)
6 = 8.13 in. (206 mm)
7 = 11.13 in. (283 mm)
5. The next X indicates material:
T = Painted Mild Steel
S = 304 Stainless Steel
F = 316 Stainless Steel
6. The next XX indicates urethane color:
BL = Navy Blue
BR = Brown
GR = Green
Blank = Orange
7. The last X indicates Mounting Kit:
Blank = No Mounting Kit
C = U-Bolt Kit

Blade Type	P/N
Rubber	31134-XXR*
Navy Blue Urethane	31134-XXUBL*
Brown Urethane	31134-XXUBR*
Green Urethane	31134-XXUGR*
Orange Urethane	31134-XXU*

*XX indicates belt width

TECHNICAL DATA SHEET

MAINFRAME LOCATION DETAIL



Part Number	Dim. "E" Max.	Dim. "F" Min.	Dim. H	Dim. J
BUS14092-XXX0XXXX	7.25 (184.2)	6.50 (165.1)	3.63 (92.1)	2.13 (54.0)
BUS14092-XXX1XXXX	10.50 (266.7)	9.75 (247.7)	6.88 (174.6)	5.38 (136.5)
BUS14092-XXX2XXXX	13.50 (342.9)	12.75 (323.9)	9.88 (250.8)	8.38 (212.7)
BUS14092-XXX3XXXX	17.63 (447.8)	16.88 (428.8)	14.00 (355.6)	12.50 (317.5)
BUS14092-XXX4XXXX	12.50 (317.5)	11.75 (298.5)	8.88 (225.4)	7.38 (187.3)
BUS14092-XXX5XXXX	10.88 (276.4)	10.13 (257.3)	7.00 (177.8)	5.75 (146.1)
BUS14092-XXX6XXXX	12.00 (304.8)	11.25 (285.8)	8.13 (206.4)	6.88 (174.6)
BUS14092-XXX7XXXX	15.00 (381.0)	14.25 (362.0)	11.13 (282.6)	9.88 (250.8)



Martin Engineering USA
 One Martin Place
 Neponset, IL 61345-9766 USA
 800 544 2947 or 309 852 2384
 Fax 800 814 1553
 www.martin-eng.com

**COMPANY WITH
 QUALITY SYSTEM
 CERTIFIED BY DNV GL
 = ISO 9001 =**