

# Martin® QC1+™ Cleaner XHD Three-Piece Mainframe



The [Martin® QC1+™ Cleaner XHD](#) tackles the tough jobs. Designed for rugged conditions, this sturdy cleaner allows for quick and easy blade change, making replacement of a worn blade a simple procedure.

The Martin® QC1+™ Cleaner XHD includes a Spring Tensioner to maintain proper cleaning pressure while minimizing the need for adjustment.

Dual tensioners are supplied with cleaners for belts 48 in. (1219 mm) wide or wider.

## NOTES

Martin® QC1+™ Cleaners XHD are available for belts up to 120 in. (3048 mm) wide. For belts wider than 72 in. (2000 mm) a dual-blade assembly is required.

Normal blade length is belt width less 6 in. (150 mm). For belts with a 45° trough or where material is centered on belt, customer should consider a blade that is belt width less 12 in. (300 mm). This is because belt edges may not require cleaning, and blade-to-belt friction in these areas may lead to premature wear of cleaner and/or belt.

## FREQUENTLY ASKED QUESTIONS

My Pre-Cleaner keeps flipping through. What is wrong?  
*The mounting location may be too far away from the belt. Relocate to the proper mounting location. Replace the mainframe or end weldments if they are bent. Check set screws to determine if they are tight. Retighten if necessary.*

My Pre-Cleaner is wearing more in the center of the blade.  
*The blade is too wide for this application. Replace with a shorter length blade.*

## BENEFITS

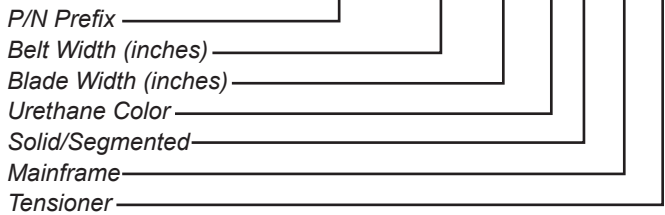
- Fast Blade Change Cuts Service Expense**  
 Blade holders—2x stronger and more reliable than securing blades with pins—makes blade replacement a fast and easy operation.
- Matched Tensioner Maintains Consistent Cleaning**  
 Martin® QC1+™ Cleaner XHD and Spring Tensioner are system-engineered to preserve the cleaning edge from high belt speeds and multiple splices.
- Curved Blade Provides Consistent Cleaning**  
 Patented “CARP” (Constant Angle Radial Pressure) design maintains cleaning performance through all stages of blade life.
- Rugged Construction Suits Tough Conditions**  
 Mainframe of rugged 3/8-in. (9.5-mm) thick DOM steel tubing has steel bar backbone. Aluminum extrusion in blade base holds cleaner snugly to backbone.
- Blade Materials Match Application**  
 Martin Engineering’s urethane expertise provides blades to suit standard, high-temperature, or high-abrasion conditions.
- The Most Cleaner, the Least Investment**  
 Economical pre-cleaner and tensioner system combines effective cleaning, durable life, and low-maintenance requirements.

## ACCESSORIES

PART	P/N
Martin® Steel Inspection Door	CYA-1818
Martin® Hanger Mount XHD Assembly	27382-SL

# TECHNICAL DATA SHEET

## NOMENCLATURE C1QCE3 SXX SX X X X X



### BELT WIDTH

**SXX:** XX indicates belt width in inches (18 thru 72)

### BLADE WIDTH

**00:** No Blade  
**S6:** 6 Inches less Belt Width  
**S8:** 8 Inches less Belt Width  
**SC:** 12 Inches less Belt Width

### URETHANE COLOR

**0:** No Blade  
**B:** Brown  
**T:** Tan  
**G:** Green  
**N:** Navy Blue  
**O:** Orange  
**C:** Yellow with Ceramic Beads

### SOLID/SEGMENTED

**0:** Segmented Blade/No Blade  
**1:** Solid Blade

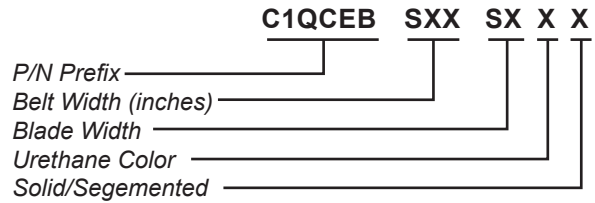
### MAINFRAME

**E:** Painted Steel with Extended Torque Tubes and Aluminum Blade Insert  
**F:** Stainless Steel with Steel Blade Insert  
**P:** Painted Steel with Aluminum Blade Insert  
**T:** Painted Steel with Steel Blade Insert  
**Z:** Stainless Steel with Extended Torque Tubes and Steel Blade Insert

### TENSIONER

**Blank:** No Tensioner  
**S:** Martin® Spring Tensioner (P/N 38003 or 38003-2)  
**P:** Martin® Stainless Steel Spring Tensioner (P/N 38003-C or 38003-2-C)

## REPLACEMENT BLADE NOMENCLATURE



### BELT WIDTH

**SXX:** XX indicates belt width in inches (18 thru 72)

### URETHANE COLOR

**B:** Brown  
**T:** Tan  
**G:** Green  
**N:** Navy Blue  
**O:** Orange

### BLADE WIDTH

**S6:** 6 Inches less Belt Width  
**S8:** 8 Inches less Belt Width  
**SC:** 12 Inches less Belt Width

### SOLID/SEGMENTED

**0:** Segmented without Slots  
**1:** Solid without Slots  
**2:** Segmented with Slots  
**3:** Solid with Slots  
**4:** Segmented without Slots & with Blade Clamp Kit  
**5:** Solid without Slots & with Blade Clamp Kit

## INSTALLATION AND MOUNTING

### Installation Recommendations:

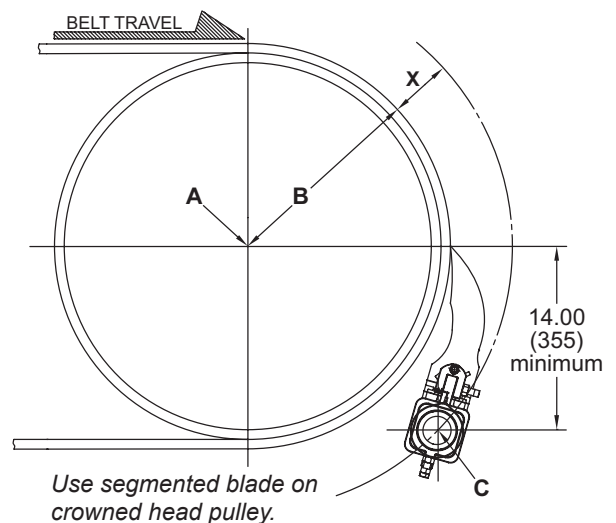
Head Pulley Diameter	24 in. – 30 in. (609.6 – 762 mm)
Maximum Belt Speed	1200 fpm (6 m/s)

### Mounting Location:

Head Pulley Diameter*	Mounting Dimension (X)
16 in. (400 mm)	5.75 (146)
20 in. (500 mm)	5.50 (140)
24 in. (600 mm)	5.25 (133)
28 in. (700 mm)	5.00 (127)
30 in. (750 mm)	4.75 (120)

\* includes belt and lagging

## MOUNTING LOCATION



### Martin Engineering USA

One Martin Place  
 Neponset, IL 61345-9766 USA  
 800 544 2947 or 309 852 2384  
 Fax 800 814 1553  
 www.martin-eng.com

**COMPANY WITH  
 QUALITY SYSTEM  
 CERTIFIED BY DNV GL  
 = ISO 9001 =**