

Martin® Vibrotor™ CCR Railcar Vibrator

This simple, long-lasting [Martin® Vibrotor™ CCR Railcar Vibrator](#) provides effective high-frequency vibration at an economical price. Apply to railcars to keep materials flowing as they should.



BENEFITS

- Provides effective vibration of both the hopper section and vertical wall.
- Bearing-Free Design eliminates wear problems and extends service life.
- Rugged wedge bracket built for long life and durability.
- Ergonomic handle to make placement and removal easier.

PART NUMBERS

Assembly P/N	Description	P/N
28848-W	CCR-5500 Vibrator	28848
	Cradle Lug Bracket with Handle	29551-H
29905-W	CCR-6500 Vibrator	29905
	Cradle Lug Bracket with Handle	29551-H

SPECIFICATIONS

Model	P/N	Unbalance	
		lb-in.	kg-mm
CCR-5500	28848-W	1.262	14.5
CCR-6500	29905-W	2.344	27.0

ACCESSORIES

P/N	Description
39504	Control Line Kit
29551-HK	Cradle Lug Bracket Handle Kit

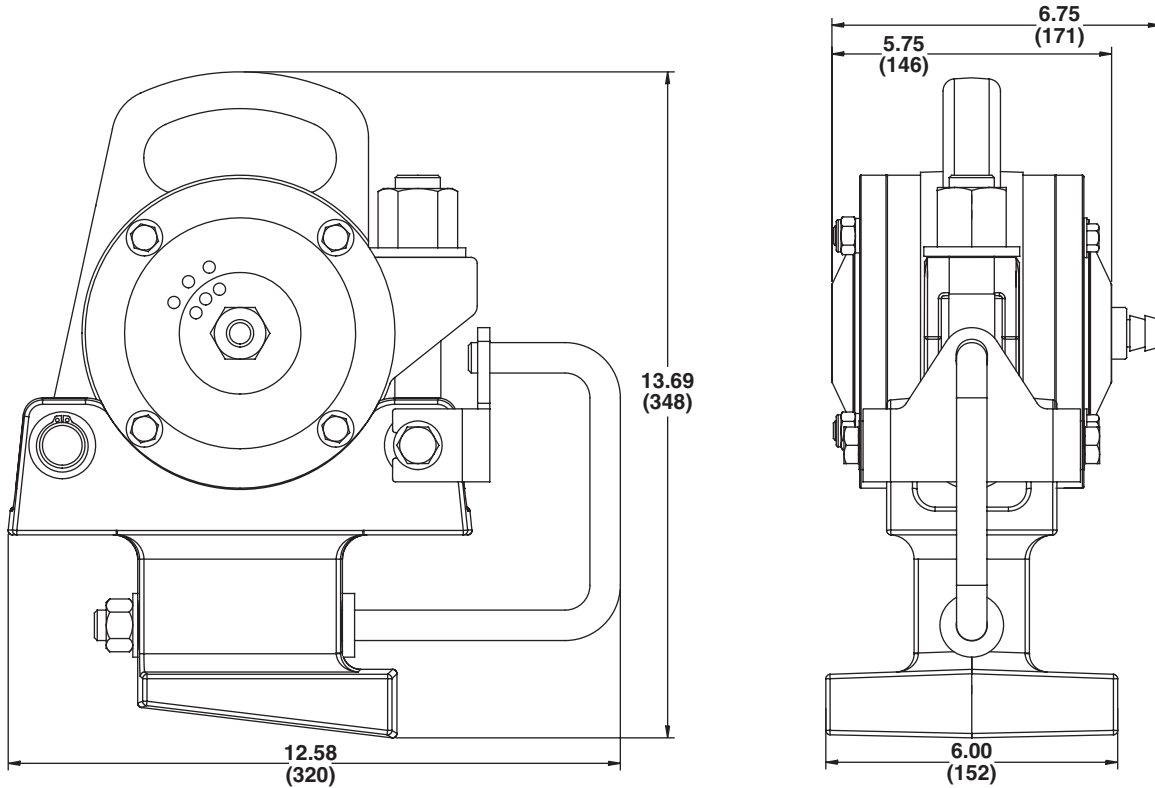
PERFORMANCE DATA

Model	20 psi (1.38 bar)			40 psi (2.76 bar)			60 psi (4.14 bar)			80 psi (5.16 bar)		
	Speed VPM	Force lb (kg)	Flow cfm (L/min)	Speed VPM	Force lb (kg)	Flow cfm (L/min)	Speed VPM	Force lb (kg)	Flow cfm (L/min)	Speed VPM	Force lb (kg)	Flow cfm (L/min)
CCR-5500	6600	1560 (708)	32 (906)	10,000	3582 (1625)	42 (1189)	12,500	5596 (2538)	55 (1558)	14,000	7020 (3184)	58 (1643)
CCR-6500	5800	2238 (1015)	25 (708)	8500	4806 (2180)	35 (991)	10,700	7616 (3455)	44 (1246)	12,500	10,395 (4716)	50 (1416)

Note: Air source needs to be filtered, regulated and lubricated (1-2 drops/min of air oil).

TECHNICAL DATA SHEET

DIMENSIONS



Martin Engineering USA
3600 Cougar Drive
Peru, IL 61354 USA
855 394 4885
Fax 800 814 1553
www.martin-eng.com

**COMPANY WITH
QUALITY SYSTEM
CERTIFIED BY DNV GL
= ISO 9001 =**

Problem Solved™ *GUARANTEED!*

Form No. L4159-09/20
© Martin Engineering Company 2020