

Martin® QC1+™ Cleaner HD One-Piece Mainframe



The [Martin® QC1+™ Cleaner HD](#) introduces the next generation of belt cleaning technology.

A truly revolutionary innovation in belt cleaning design, the QC1+™ Cleaner HD provides the cleanest belt and longest blade life—at the lowest cost.

SPECIFICATIONS

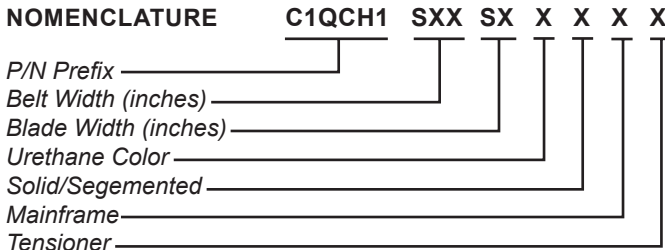
Maximum Belt Speed fpm (m/sec)	Maximum Service Temperature	Pulley Diameter** in. (mm)	Mounting Location in. (mm)	Wear Life* in. (mm)	Wear Volume (per inch of blade) in ³ (cm ³)
900 (4.6)	160°F (70°C) Continuous 180°F (82°C) Intermittent	16–22 (406–559)	3.5 (89)	4.5 (114)	6.53 (107)

* Amount of usable blade

** Pulley diameter 23 in. (584 mm) and greater: contact your Martin Engineering representative.

High-performance urethanes are available; see your Martin Engineering representative for assistance in specifying non-standard products. Refer to Form No. L3375.

NOMENCLATURE



FEATURES & BENEFITS

- Same ease of installation as original Martin® QC1™ Cleaners, maintaining standard installation and service costs.
- Utilizes Martin's highly effective, patented CARP profile, ensuring the highest level of cleaning performance expected from a Martin® Belt Cleaner.

BELT WIDTH

SXX: XX indicates belt width in inches (18 thru 96)

BLADE WIDTH

- 00:** No Blade
- S2:** 2 Inches less Belt Width
- S6:** 6 Inches less Belt Width

URETHANE COLOR

- 0:** No Blade
- B:** Brown
- T:** Tan
- G:** Green
- N:** Navy Blue
- O:** Orange
- C:** Yellow with Ceramic Beads

SOLID/SEGMENTED

- 0:** No Blade
- 2:** Segmented with slots
- 3:** Solid with slots

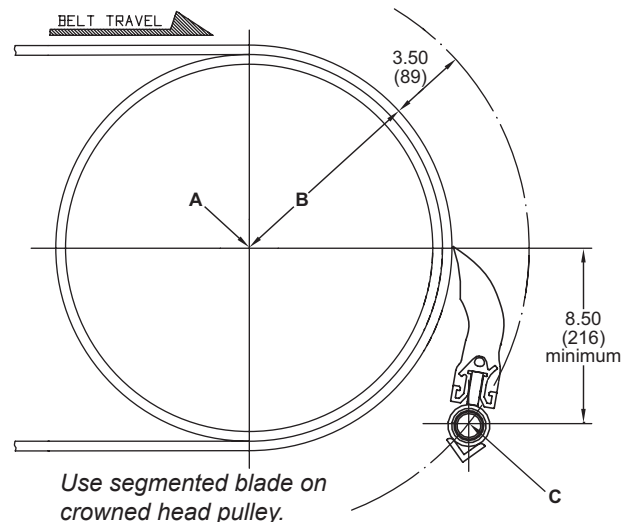
MAINFRAME

- F:** Stainless Steel with Steel Blade Insert
- P:** Painted Steel with Aluminum Blade Insert
- T:** Painted Steel with Steel Blade Insert

TENSIONER

- T:** Martin® Twist Tensioner (P/N 38850)
- O:** Martin® Twist Tensioner (P/N 31443)
- F:** Martin® Twist Tensioner Stainless Steel (P/N 31443-SS)
- S:** Martin® Spring Tensioner (P/N 38180)
- P:** Martin® Spring Tensioner Stainless Steel (P/N 38180-SS)

MOUNTING LOCATION



TECHNICAL DATA SHEET

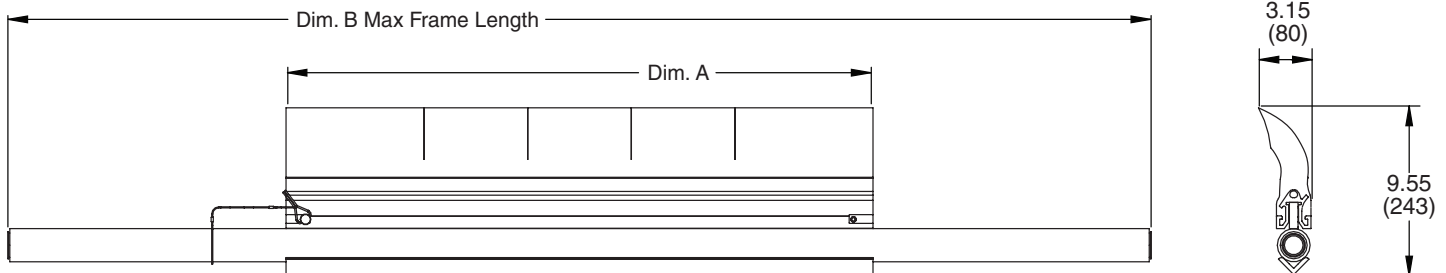
DIMENSIONS -- in. (mm)

Belt Width in. (mm)	Mainframe Length (B) in. (mm)
18 (400-500)	34 (864)
24 (500-650)	46 (1168)
30 (650-800)	52 (1321)
36 (800-1000)	60 (1524)
42 (1000-1200)	72 (1829)
48 (1200-1400)	78 (1981)
54 (1400-1600)	84 (2134)

Belt Width in. (mm)	Mainframe Length (B) in. (mm)
60 (1600-1700)	90 (2286)
66 (1700-1800)	96 (2438)
72 (1800-2000)	102 (2591)
78 (1800-2000)	108 (2743)
84 (2000-2100)	114 (2896)
90 (2100-2200)	120 (3048)
96 (2200-2400)	126 (3200)

Note: Dimension A equals belt width minus 2 inches.

Dual Tensioners are required for belt widths 54 in. (1400 mm) and greater.



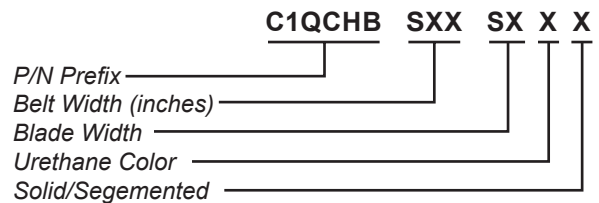
RECOMMENDED TENSIONERS

Tensioner	P/N
Martin® Twist Tensioner	38850
Martin® Spring Tensioner	38180

ACCESSORIES

Part	P/N
Martin® Steel Inspection Door	CYA-1218
Martin® Hanger Mount Standard Assembly	27382

REPLACEMENT BLADE NOMENCLATURE



BELT WIDTH

SXX: XX indicates belt width in inches (18 thru 96)

BLADE WIDTH

S2: 2 Inches less Belt Width
S6: 6 Inches less Belt Width

URETHANE COLOR

B: Brown
T: Tan
G: Green
N: Navy Blue
O: Orange
C: Yellow with Ceramic Beads

SOLID/SEGMENTED

0: Segmented without Slots
1: Solid without Slots
2: Segmented with Slots
3: Solid with Slots
4: Segmented without Slots & with Blade Clamp Kit
5: Solid without Slots & with Blade Clamp Kit

FREQUENTLY ASKED QUESTIONS

My Pre-Cleaner keeps flipping through.

The mounting location may be too far away from the belt. Relocate to the proper dimension.

Replace the mainframe or end weldments if they are bent.

My Pre-Cleaner is wearing more in the center of the blade.

The blade is too wide for this application. Replace with a shorter length blade.



Martin Engineering USA

One Martin Place
Neponset, IL 61345-9766 USA
800 544 2947 or 309 852 2384
Fax 800 814 1553
www.martin-eng.com

**COMPANY WITH
QUALITY SYSTEM
CERTIFIED BY DNV GL
= ISO 9001 =**

Problem Solved™ GUARANTEED!

Form No. L4151-09/22

© Martin Engineering Company 2020, 2022