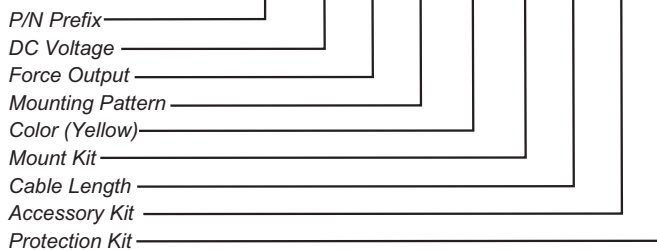


# Cougar® DC Truck Vibrators



**NOMENCLATURE** TDC XX XX XX YW XX XX XX X



**DC VOLTAGE**

- 12: 12 Volt
- 24: 24 Volt

**FORCE OUTPUT**

- 11: 1100 Lbs
- 16: 1600 Lbs
- 25: 2500 Lbs
- 27: 2700 Lbs
- 32: 3700 Lbs

**MOUNTING PATTERN**

- 4M: Rectangular Pattern 2.00" x 8.00"
- 2V: In-line Pattern 8.50" Between Center
- 2M: In-line Pattern 8.00" Between Center

**MOUNT KIT**

- MO: No Mount Kit
- MA: Aluminum Mount Plate
- MS: Steel Mount Plate
- MB: Hardware Only

**CABLE LENGTH:**

- CO: No Cord
- 25: 25 ft
- 40: 40 ft
- 50: 50 ft
- 70: 70 ft
- 80: 80 ft

**ACCESSORY KIT**

- 00: No Kit
- 01: Push Button, Solenoid, Ground Strap & Wiring Kit
- 02: Push Button, Solenoid & Ground Strap
- 03: Push Button, Ground Strap & Wiring Kit
- 05: Solenoid, Ground Strap & Wiring Kit
- 06: Push Button & Solenoid
- 09: Solenoid & Ground Strap
- 12: Solenoid Only

**PROTECTION KIT**

- P: No Protection Kit Included.
- C: Protection Kit, Circuit Breaker Only, Voltage Specific, (2 YR Warranty).
- 1: Protection Kit, 45 Second Timer Only, Voltage Specific, (3 YR Warranty).
- 2: Protection Kit, 5 Second Timer Only, Voltage Specific, (3 YR Warranty).
- 3: Protection Kit, Circuit Breaker & 45 Second Timer Included, Voltage Specific, (3 YR Warranty).
- 4: Protection Kit, Circuit Breaker & 5 Second Timer Included, Voltage Specific, (3 YR Warranty).

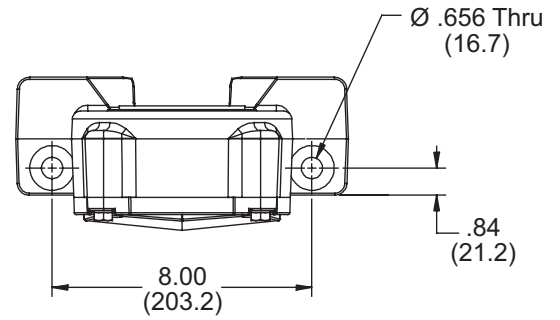
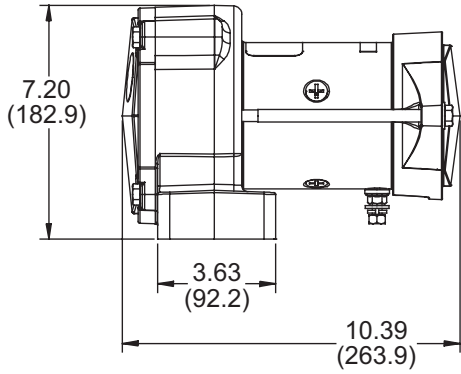
**FEATURES**

- Up to 3700 pounds of vibratory force to improve the unloading of wet, sticky, fibrous or even frozen material.
- Small, lightweight units require minimal space.
- Weather-proof aluminum housing provides high output to weight ratio.
- Sealed ball bearings eliminate lubrication requirements.
- Optional mounting hardware and electrical connections available as needed.

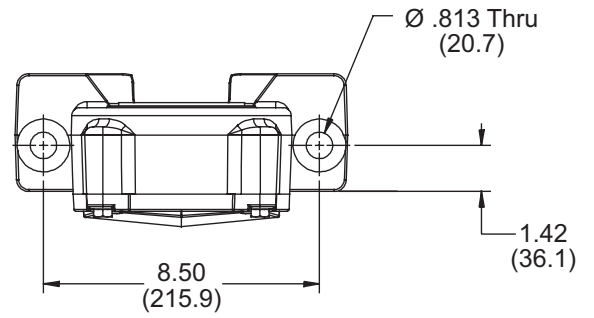
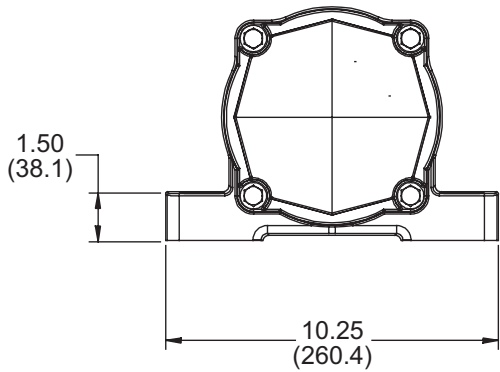
**Specify Cougar for:**

- Cost effective solutions
- Expert technical assistance
- Complete service and support

# TECHNICAL DATA SHEET



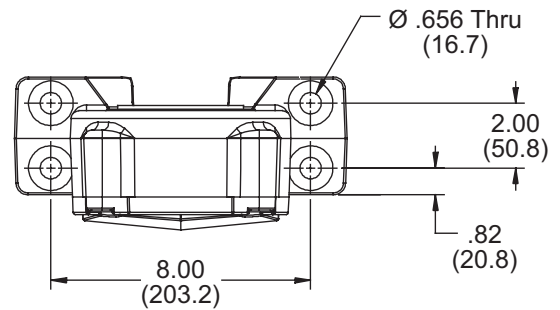
**TDCXX-XXXX-2M**



**TDCXX-XXXX-2V**

## PERFORMANCE DATA

Model	Volts	Average Amps	Max Force Lbs
TDC12-1100	12	45	1100
TDC12-1600	12	46	1600
TDC12-2500	12	46	2500
TDC12-2700	12	50	2700
TDC12-3200	12	53	3700
TDC24-1100	24	29	1100
TDC24-1600	24	30	1600
TDC24-2500	24	30	2500
TDC24-2700	24	33	2700
TDC24-3200	24	36	3700



**TDCXX-XXXX-4M**



**Martin Engineering USA**  
 One Martin Place  
 Neponset, IL 61345-9766 USA  
 800 544 2947 or 309 852 2384  
 Fax 800 814 1553  
 www.martin-eng.com

COMPANY WITH  
 QUALITY SYSTEM  
 CERTIFIED BY DNV GL  
 = ISO 9001 =

**COUGAR**  
 VIBRATION SOLUTIONS

**Problem Solved™ GUARANTEED!**

Form No. L4076-09/24  
 © Martin Engineering Company 2017, 2024