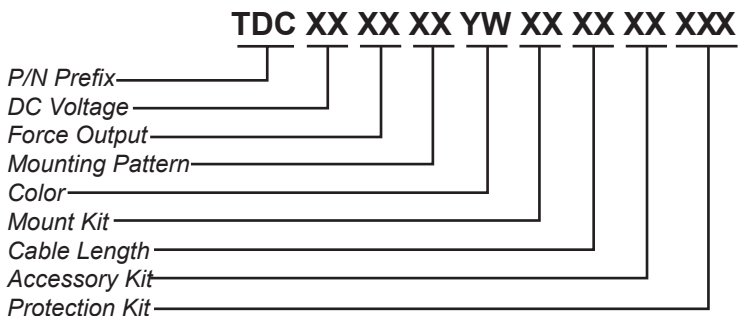


Cougar® DC Truck Vibrators



NOMENCLATURE



DC VOLTAGE

- 12:** 12 Volt
- 24:** 24 Volt

FORCE OUTPUT

- 11:** 1100 Lbs
- 16:** 1600 Lbs
- 25:** 2500 Lbs
- 27:** 2700 Lbs
- 32:** 3200 Lbs

MOUNTING PATTERN

- 4M:** Rectangular Pattern
2.00" x 8.00"
- 2V:** In-line Pattern
8.50" Between Center
- 2M:** In-line Pattern
8.00" Between Center

MOUNT KIT

- MO:** No Mount Kit
- MA:** Aluminum Mount Plate
- MS:** Steel Mount Plate
- MB:** Hardware Only

CABLE LENGTH

- CO:** No Cord
- 25:** 25 ft
- 40:** 40 ft
- 70:** 70 ft

ACCESSORY KIT

- AO:** No Accessory Kit
- 06:** #6 Kit

PROTECTION KIT

- PRO:** No Protection Kit
- 1CO:** 2-Year Warranty
(circuit breaker)
- 3CT:** 3-Year Warranty
(circuit breaker and timer)

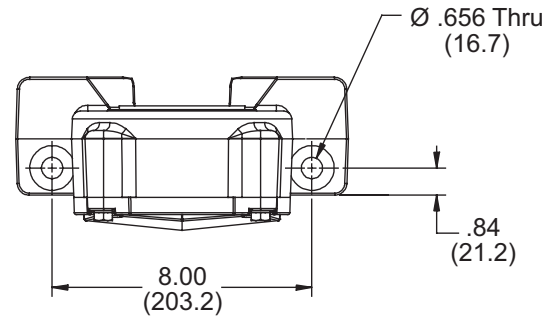
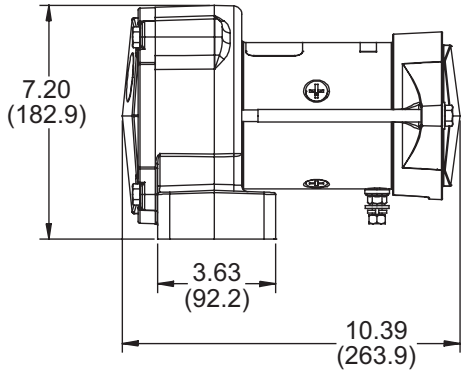
FEATURES

- Up to 3200 pounds of vibratory force to improve the unloading of wet, sticky, fibrous or even frozen material.
- Small, lightweight units require minimal space.
- Weather-proof aluminum housing provides high output to weight ratio.
- Sealed ball bearings eliminate lubrication requirements.
- Supplied with mounting hardware and electrical connections

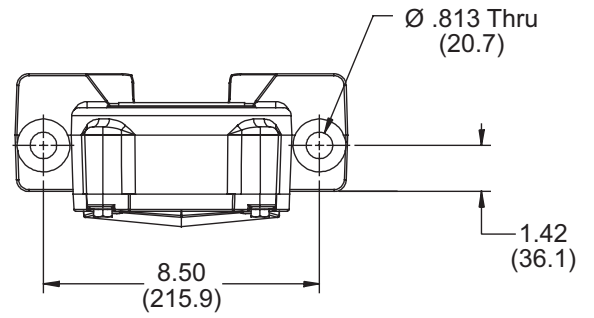
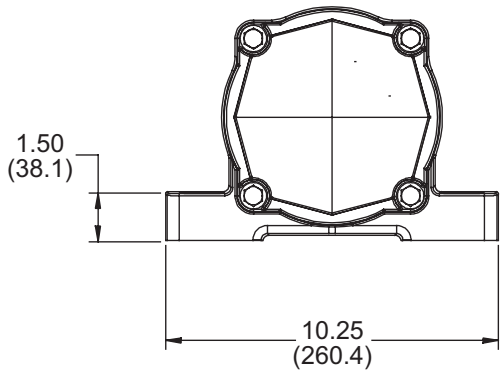
Specify Cougar for:

- Cost effective solutions
- Expert technical assistance
- Complete service and support

TECHNICAL DATA SHEET



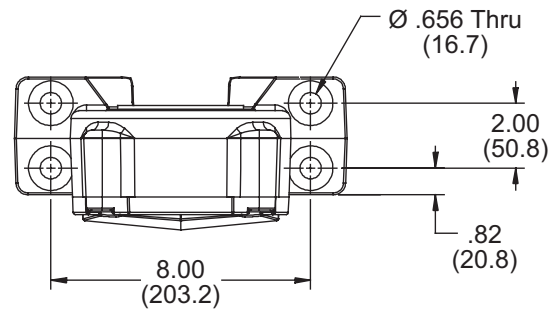
TDCXX-XXXX-2M



TDCXX-XXXX-2V

PERFORMANCE DATA

Model	Volts	Average Amps	Max Force Lbs
TDC12-1100	12	45	1100
TDC12-1600	12	46	1600
TDC12-2500	12	46	2500
TDC12-2700	12	50	2700
TDC12-3200	12	53	3200
TDC24-1100	24	29	1100
TDC24-1600	24	30	1600
TDC24-2500	24	30	2500
TDC24-2700	24	33	2700
TDC24-3200	24	36	3200



TDCXX-XXXX-4M



Martin Engineering USA
 One Martin Place
 Neponset, IL 61345-9766 USA
 800 544 2947 or 309 852 2384
 Fax 800 814 1553
 www.martin-eng.com

**COMPANY WITH
 QUALITY SYSTEM
 CERTIFIED BY DNV
 = ISO 9001:2008 =**

**COUGAR
 VIBRATION SOLUTIONS**

Problem Solved™ GUARANTEED!

Form No. L4076-01/17
 © Martin Engineering Company 2017