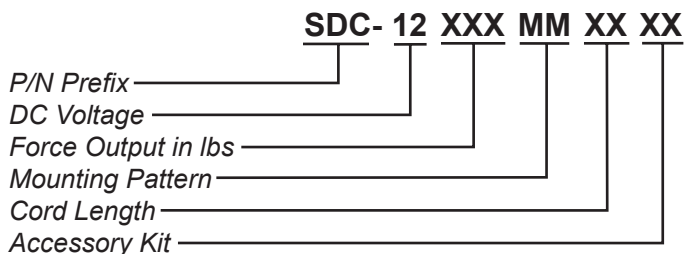


# Cougar® SDC Small Truck Vibrators



## NOMENCLATURE



### DC VOLTAGE

**12:** 12 volts

### FORCE OUTPUT IN LBS

**040:** 40 lbs

**070:** 70 lbs

**100:** 100 lbs

**200:** 200 lbs

### MOUNTING BOLT PATTERN

**MM:** 2" x 4"

### CORD LENGTH

**10:** 10"

**42:** 42"

**120:** 120"

### ACCESSORY KIT

**A0:** Without Accessory Kit

**01:** With Accessory Kit  
(mounting hardware and mount plate)

**02:** With Control Kit

**03:** With Accessory Kit  
(control kit, mounting plate and hardware)

**08:** With Accessory Kit  
(mounting hardware)

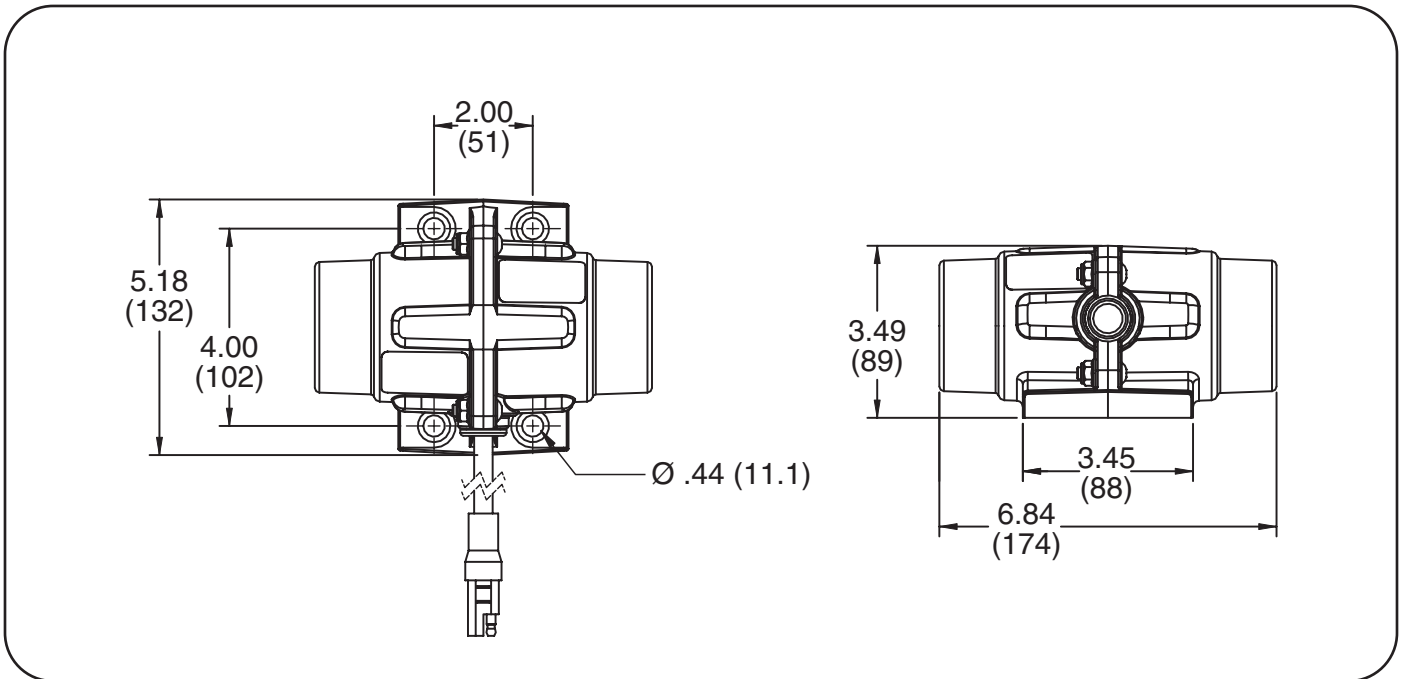
## FEATURES

- Available with either 40, 70, 100, or 200 pounds of vibratory force to improve the unloading of wet, sticky, fibrous or even frozen material.
- Small, lightweight units require minimal space.
- Weather-proof and corrosion-resistant housing provides high output to weight ratio.
- Sealed ball bearings are permanently lubricated.

### Specify Cougar for:

- Cost effective solutions
- Expert technical assistance
- Complete service and support

# TECHNICAL DATA SHEET



## PERFORMANCE DATA

| Model | P/N                | VOLT | AMP | MAX FORCE |
|-------|--------------------|------|-----|-----------|
| DC40  | SDC12-040-MM-10-A0 | 12   | 5   | 40        |
| DC70  | SDC12-070-MM-10-A0 | 12   | 5   | 70        |
| DC100 | SDC12-100-MM-10-A0 | 12   | 5   | 100       |
| DC200 | SDC12-200-MM-10-A0 | 12   | 5   | 200       |



**Martin Engineering USA**  
 One Martin Place  
 Neponset, IL 61345-9766 USA  
 800 544 2947 or 309 852 2384  
 Fax 800 814 1553  
[www.martin-eng.com](http://www.martin-eng.com)

**COMPANY WITH  
 QUALITY SYSTEM  
 CERTIFIED BY DNV GL  
 = ISO 9001 =**