

# Martin® MB36-3000 Concrete Form Vibrator



The Martin® MB36-3000 Concrete Form Vibrator solves problems common in the precast industry. This heavy-duty electric vibrator will improve productivity and increase material strength and compaction.



## FEATURES

- Interchanges with BRECON 18-120
- 3000 Force lb – 3600 RPM
- 230 volt/ 460 volt – 3 Phase 60Hz
- Ductile Iron Bearing Housings
- Roller Bearings Designed for Vibration
- High Temperature Class H Windings
- Adjustable Force Output
- Class II, Division 2, Groups F and G

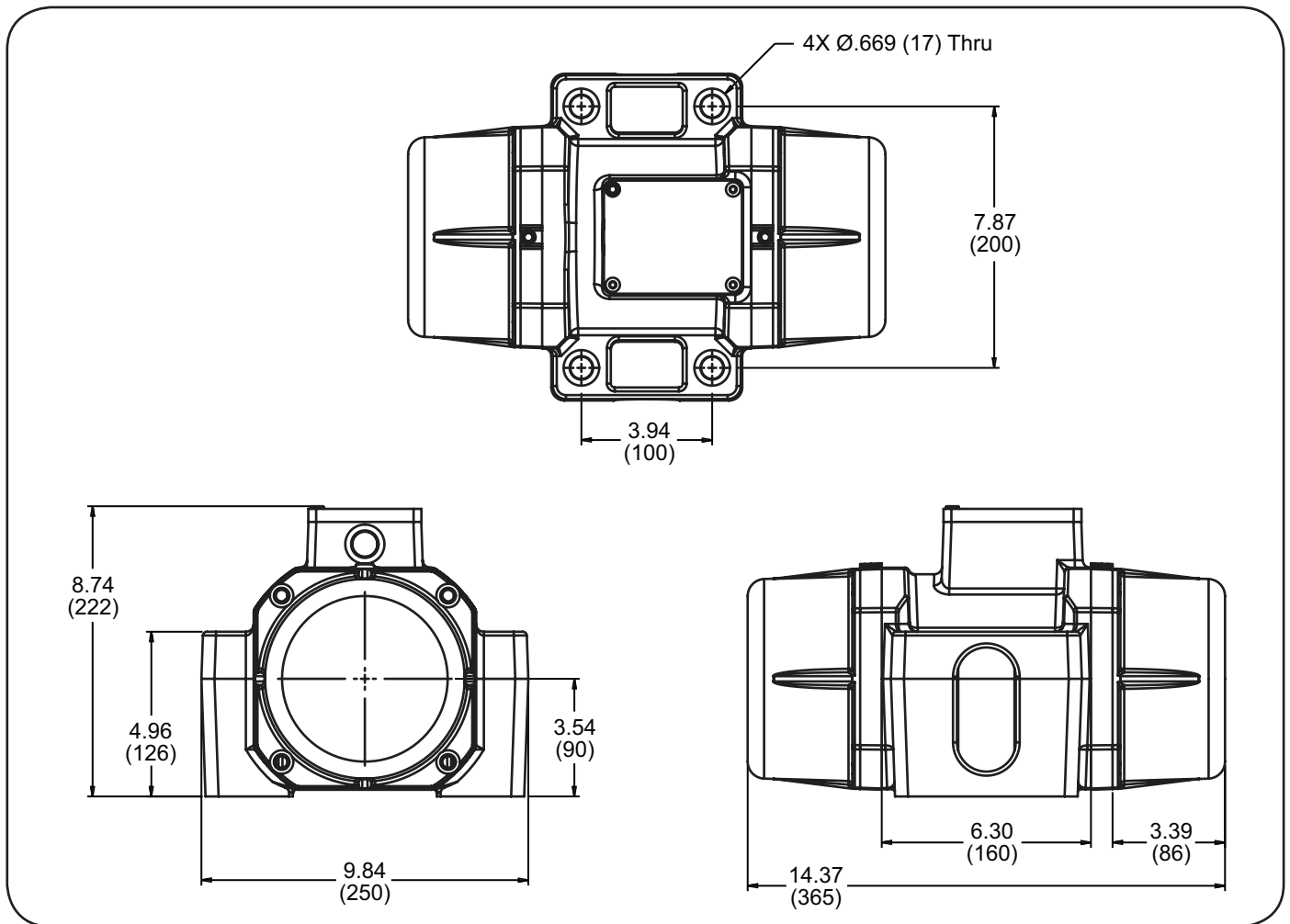
## BENEFITS

- Optimally sized to fit in smaller diameter concrete pipe form cores.
- Modern design allows for easier installation in tight spaces.
- Adjustable eccentric weights enable you to customize force, save energy, and increase the life of the vibrator.
- Dependable performance covered by Martin Engineering's 3-year warranty.

## Specify Martin for:

- Cost effective solutions
- Expert technical assistance
- Complete service and support

# TECHNICAL DATA SHEET



## PERFORMANCE DATA

Part Number	Model	RPM at 60Hz	Unbalance In. Lbs. 60Hz	Centrifugal Force	Power Output	Amps		Weight
				460V 60Hz lbs (kg)	460V 60Hz hp (kW in)	230V 60Hz	460V 60Hz	460V 60Hz lbs (kg)
MB35C02	MB36-3000	3600	8.94	3000 (1361)	1.30 (1.00)	3.80	1.90	66.8 (30.3)

## ACCESSORIES

Part Number	Description
MB35C02	Vibrator Only
MB35C02-CB	Vibrator with 14' Braided Cable (only)
MB35C02-CD	Vibrator with 14' Plain Cable (only)
MB35C02-PC	Vibrator with 14' Braided Cable and Hubbell Locking Plug (HBL21415B)
32271	Safety Cable Assembly
30559-08L	Kluber NBU15 (400G Tube)



### Martin Engineering USA

3600 Cougar Drive  
 Peru, IL 61354 USA  
 855 394 4885  
 Fax 800 814 1553  
 www.martin-eng.com

COMPANY WITH  
 QUALITY SYSTEM  
 CERTIFIED BY DNV  
 = ISO 9001:2008 =

**Problem Solved™ GUARANTEED!**

Form No. L3844-09/19  
 © Martin Engineering Company 2012, 2019