

# Martin® Return Roller



The [Martin® Return Roller](#) is a pivoting track-mounted return idler that allows for safe, quick, and simple one-sided serviceability and roll replacement.

The track-mounted design reduces the risk of injury and allows replacement of the roll in a matter of seconds.

**NOMENCLATURE**      **UCRR-007000-XX X\***

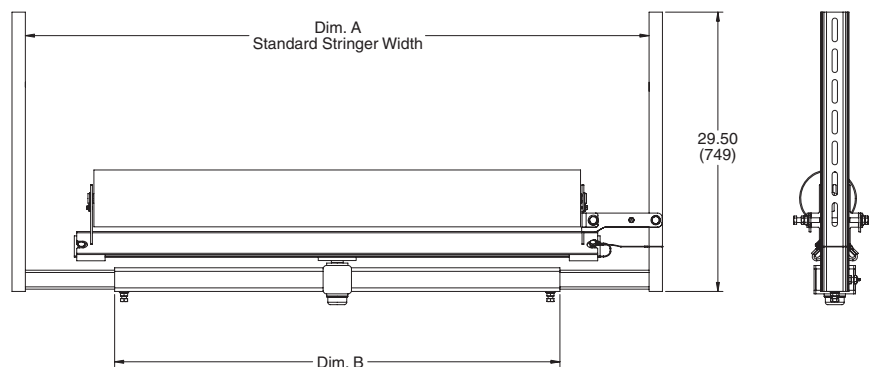
P/N Prefix \_\_\_\_\_  
 Belt Width \_\_\_\_\_  
 Stringer \_\_\_\_\_

**STRINGER**  
**S:** Standard Stringer

\*Add an (F) at the end of the part number for frame only (no roll included).

**DIMENSIONS – in. (mm)**

Part Number	Dim. A in. (mm)	Dim. B in. (mm)
UCRR-007000-24S	36 (914)	29 (737)
UCRR-007000-36S	48 (1219)	37 (940)
UCRR-007000-42S	54 (1372)	43 (1092)
UCRR-007000-48S	60 (1524)	47 (1194)
UCRR-007000-54S	66 (1676)	55 (1397)
UCRR-007000-60S	72 (1829)	51 (1295)
UCRR-007000-72S	84 (2134)	61 (1549)



**Martin Engineering USA**  
 One Martin Place  
 Neponset, IL 61345-9766 USA  
 800 544 2947 or 309 852 2384  
 Fax 800 814 1553  
 www.martin-eng.com

**COMPANY WITH  
 QUALITY SYSTEM  
 CERTIFIED BY DNV  
 = ISO 9001:2008 =**