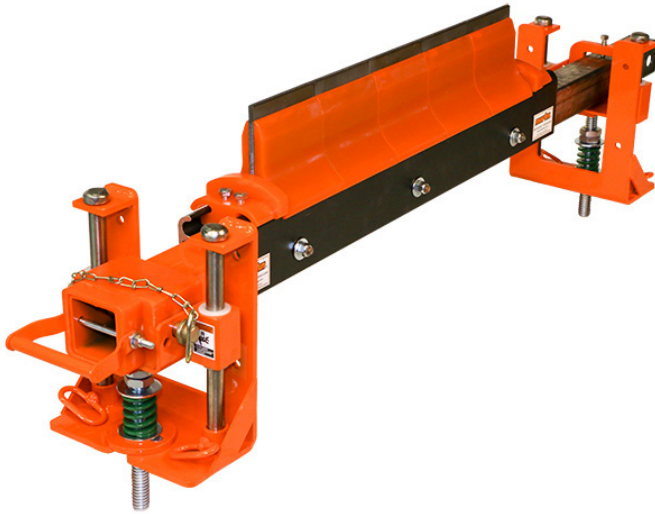


# Martin® DT2H Reversing Cleaner XHD

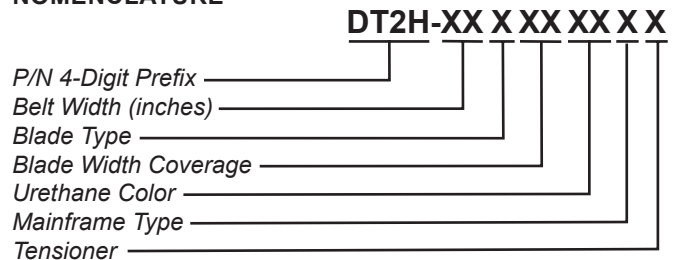


The [Martin® DT2H Reversing Cleaner XHD](#) features rugged blades installed on a track that slides into cleaning position on a rugged steel mandrel. This unique design makes for a quick and easy service procedure that reduces conveyor downtime and improves productivity.

## BENEFITS

- Removes Carryback, Saves Cleanup**  
 Effective belt cleaning reduces plant cleanup chores and prolongs life of conveyor components.
- Reduces Downtime for Service**  
 Slide-in/slide-out mandrel allows quick and easy blade replacement to increase conveyor availability. With on-site safety approvals, blades can be changed while the belt runs.
- Slide-Out/Slide-In Blade Change**  
 Individual blade segments slide into sturdy track-forming cartridge. This cartridge slides over stainless steel mainframe into cleaning position.
- Split Track Cartridge**  
 Split track cartridge design allows simple blade removal even with material accumulation.
- Built Strong for Tough Conditions**  
 Massive Martin® XHD Blades stand up to challenging conditions, including heavy material loads and belt speeds up to 1200 fpm (6 m/sec).

## NOMENCLATURE



### Blade Type

- A:** Tungsten Carbide Tall Blade
- C:** Tungsten Carbide Tall Blade with SS Upright
- R:** Tungsten Carbide Blade with SS Upright
- T:** Tungsten Carbide Blade
- U:** Urethane Blade

### Mainframe

- P:** Painted
- S:** 316 Stainless Steel

### Urethane Color

- BR:** Brown
- GR:** Green
- OR:** Orange

### Tensioner

- A:** Air Tensioner
- S:** Spring Tensioner

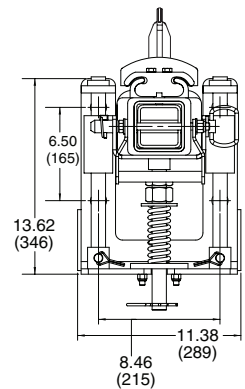
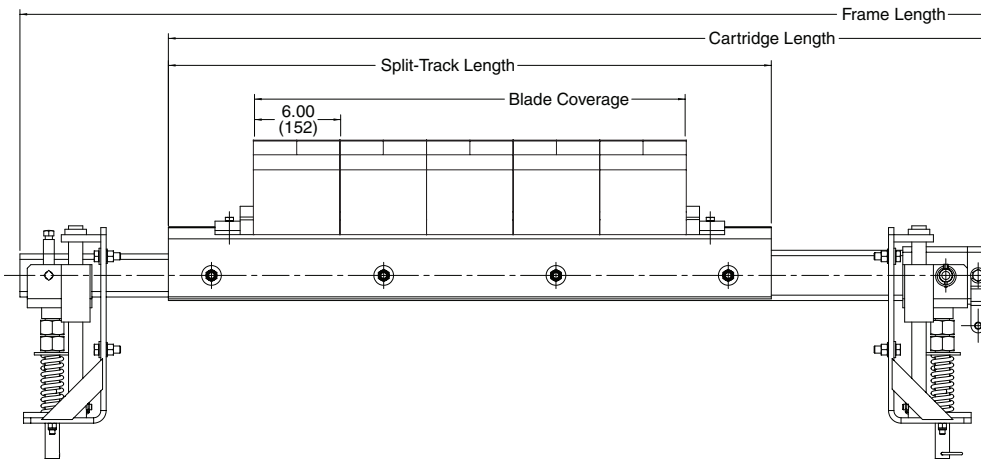
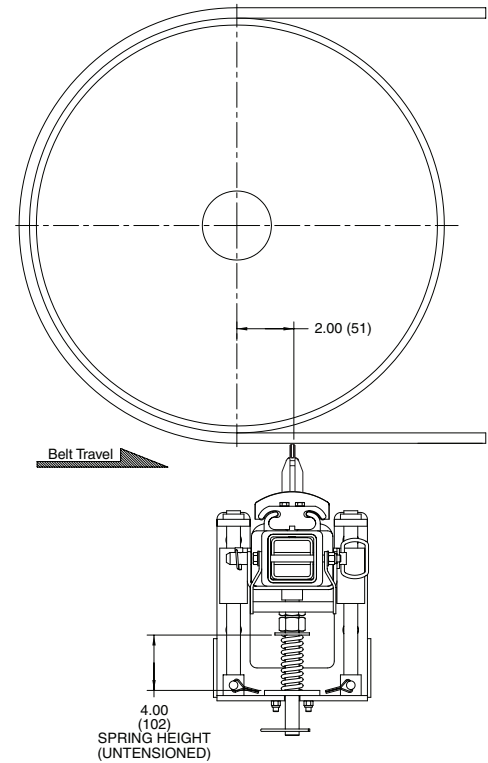
## ORDER INFORMATION

Item	P/N
Cleaner Assembly (includes tensioner)	DT2H-XXXXXXXXXX
Martin® DT2H Reversing Replacement Blade	32494-TXX Tungsten Carbide
	32494-06UXX Urethane
	32494-TSSXX Tungsten Carbide with Stainless Steel Upright
	39539-TXX Tall Tungsten Carbide
	39539-TSSXX Tall Tungsten Carbide with Stainless Steel Upright

# TECHNICAL DATA SHEET

## DIMENSIONS

Belt Width	Blade Coverage	No. of Blades	Max Mainframe Length	Weight w/o Tensioner
18"	12 (305)	2	50.50 (1283)	84.3
	18 (457)	3		91.3
24"	18 (457)	3	56.50 (1435)	101.3
	24 (610)	4		108.3
30"	24 (610)	4	62.50 (1588)	118.5
	30 (762)	5		125.5
36"	30 (762)	5	68.50 (1740)	135.5
	36 (914)	6		142.5
42"	36 (914)	6	74.50 (1892)	152.7
	42 (1067)	7		159.7
48"	42 (1067)	7	80.50 (2045)	169.7
	48 (1219)	8		176.7
54"	48 (1219)	8	86.50 (2197)	186.9
	54 (1372)	9		193.9
60"	54 (1372)	9	92.50 (2350)	203.9
	60 (1524)	10		210.9
66"	60 (1524)	10	98.50 (2502)	221.1
	66 (1676)	11		228.1
72"	66 (1676)	11	104.50 (2654)	238.1
	72 (1829)	12		245.5
78"	72 (1829)	12	110.50 (2807)	255.7
	72 (1829)	12		265.9
84"	78 (1981)	13	116.50 (2959)	272.3
	84 (2134)	14		279.7
90"	84 (2134)	14	122.50 (3112)	297.8
	90 (2286)	15		305.3
96"	78 (1981)	13	128.50 (3264)	300.2
	90 (2286)	15		306.6
102"	96 (2438)	16	134.50 (3416)	314.1
	96 (2438)	16		324.2
114"	108 (2743)	18	146.50 (3721)	358.7
120"	120 (3048)	20	158.50 (4026)	386.1



### Martin Engineering USA

One Martin Place  
 Neponset, IL 61345-9766 USA  
 800 544 2947 or 309 852 2384  
 Fax 800 814 1553  
 www.martin-eng.com

**COMPANY WITH  
 QUALITY SYSTEM  
 CERTIFIED BY DNV GL  
 = ISO 9001 =**

**Problem Solved™ GUARANTEED!**

Form No. L3690-06/23  
 © Martin Engineering Company 2002, 2023