

Martin® Gate Jack Opener



Eliminate strong-arm tactics with the [Martin® Gate Jack Opener](#). This powerful air-powered wrench provides more than 1750 ft-lb (2373 N•m) of torque to open the most stubborn rack and pinion hopper gate.

BENEFITS

- Improves Unloading Efficiency**
 Stop the car, open the gate, and start unloading. There's no time wasted trying to muscle the gate open.
- One-Worker Operation**
 No need for labor gangs or cheater bars with the compact, powerful Martin® Gate Jack Opener.
- Efficient Air Use**
 Operates from air supply of 70 cfm (1982 L/min) at 80 to 125 psi (5.5 to 8.6 bar).
- Readily Portable**
 Martin® Gate Jack Opener only weighs 65 lb (29.5 kg) for easy positioning and use by one worker.
- Easy to Apply**
 Capstan extension reaches even "hard-to-get-at" recessed railcar capstans.
- Comes Complete**
 Supplied with hoses and hand-held control valve. Customer must supply own steel "lever" bar.

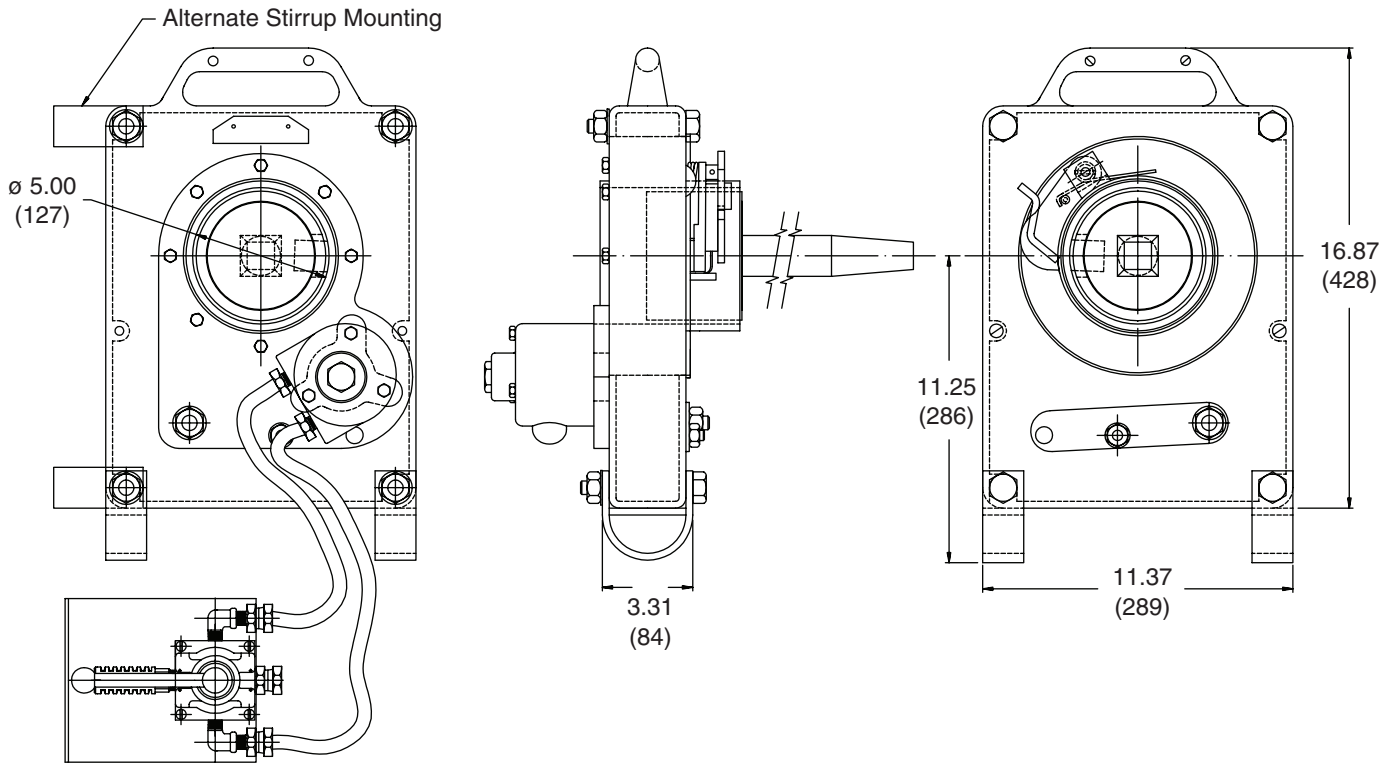
SPECIFICATIONS

Air Pressure	70 cfm at 80—125 psi (1982 L/min at 5.5—8.6 bar)
Output	above 1750 ft-lb (2373 N•m)
Weight	65 lb (29.5 kg)
Part Number	M90

REPLACEMENT PARTS

Part Number	Description
30913-06	Air Motor Repair Kit

TECHNICAL DATA SHEET



Martin Engineering USA
One Martin Place
Neponset, IL 61345-9766 USA
800 544 2947 or 309 852 2384
Fax 800 814 1553
www.martin-eng.com

**COMPANY WITH
QUALITY SYSTEM
CERTIFIED BY DNV
= ISO 9001:2008 =**

Problem Solved™ GUARANTEED!

Form No. L3595-12/17
© Martin Engineering Company 2001, 2017