

Martin® Railcar Opener

The [Martin® Railcar Opener](#) is a powerful solution to improve the efficiency of railcar unloading. It easily opens tough railcar hopper gates, without damage, without a large labor gang, without backbreaking labor, without damage to gate or mechanism, and without high noise.



BENEFITS

- Powerful**
 Provides 2700 lbs (1225 kg) of torque at 90 psi, to open the most stubborn hopper car gate.
- Adjustable Height**
 Change capstan height to fit various car gates and compensate for variations in unloading platforms.
- Adjustable Width**
 Fits through narrow doors, spread to stabilize unit for operation.
- Economical**
 Priced at roughly half the cost of competitive units.
- Adjustable Handle**
 Easily adjusts to suit operator preference.
- Steel Tube Frame**
 Rugged construction provides long life in “real world” conditions.
- Durable Wheels**
 10” x 4” pneumatic wheels maneuver easily over rough rail side conditions.
- Controlled**
 Provides smooth, non-impacting force to open gate without damage.
- Quiet**
 Noise measured at 83 dBa at operator position (one meter from air motor muffler).
- Maneuverable**
 Wheeled cart can be positioned by one worker. One lever rotates wheels 90 degrees. Pivoting wheels maintain contact with traveling capstan.

Keep Unloading Operations Efficient

- No More Stalled Operations Due to Stubborn Gates
- No More Excess Labor Needed to Force Open Gates
- No More Back Injuries From Trying to Muscle Open Gates

ORDER INFORMATION

Part Number	Shipping Weight
38475	314 lbs (143 kg)

SPECIFICATIONS

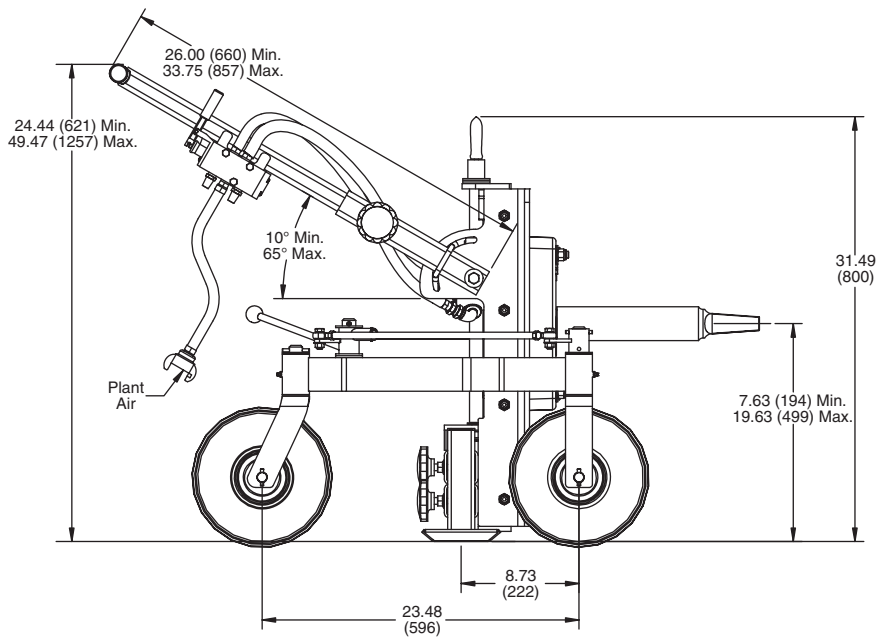
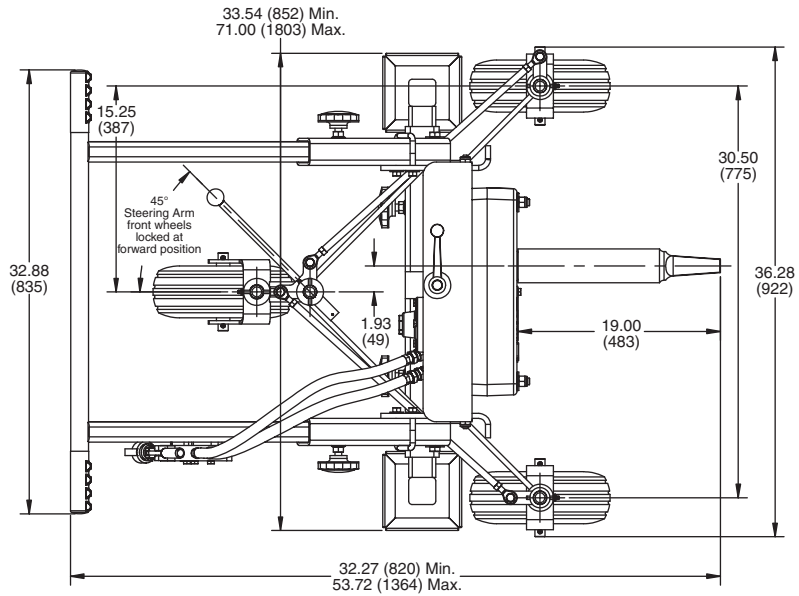
Air Consumption	70 cfm at 90–120 psi (1982 L/min at 6.2– 8.2 bar)
------------------------	--

REPLACEMENT PARTS

Part Number	Description
30913-06	Air Motor Repair Kit

TECHNICAL DATA SHEET

DIMENSIONS—in. (mm)



Martin Engineering USA

One Martin Place
Neponset, IL 61345-9766 USA
800 544 2947 or 309 852 2384
Fax 800 814 1553
www.martin-eng.com

COMPANY WITH
QUALITY SYSTEM
CERTIFIED BY DNV GL
= ISO 9001 =

Problem Solved™ GUARANTEED!

Form No. L3534-09/23
© Martin Engineering Company 2000, 2023