

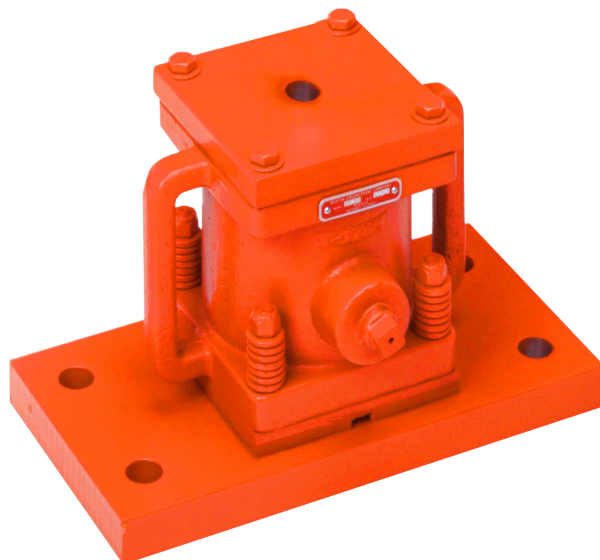
Martin® Thumper™ Series Timed Impactor

The [Martin® Thumper™ Series Timed Impactor](#) delivers power impactive blows through effective use of air power—producing a sledgehammer effect with minimal noise and hopper damage.

Heavy workloads are handled easily even where an air supply is limited. Well-suited for applications where flow rates are low or where a sledgehammer has proven successful.

These versatile units can be furnished with permanent mount or with quick-release adapter to facilitate easy movement from one location to another. Impactor units deliver controlled blows at a choice of intervals.

Best uses: sticky, clinging materials that adhere to chutes, hoppers and bins.



PERFORMANCE DATA

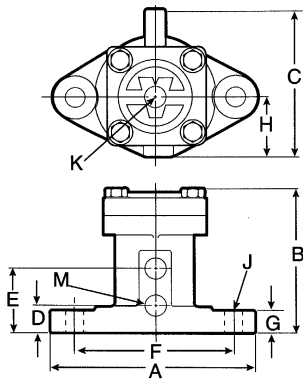
Model	Part Number	80 psi (5.51 bar) (1 stroke)						Max. Weight in Sloped Section of Bin lb (kg)	
		Force Output lb (kg)	Air Consumption (Cu. Ft.)						
			20 psi	40 psi	60 psi	80 psi			
T-125	21685	142 [64]	.002	.003	.004	.005	20,000	[9072]	
T-200	21682	376 [171]	.007	.011	.015	.019	30,000	[13,608]	
T-250	19078	571 [259]	.012	.018	.025	.032	40,000	[18,144]	
T-300	21572	835 [379]	.024	.030	.030	.050	60,000	[27,216]	
T-400	17589	1400 [635]	.062	.083	.103	.114	100,000	[45,360]	

NOTE: Air consumption per impact. Martin® Thumper™ Series Timed Impactors may be operated in temperatures -40° to 250°F [-40° to 120°C].

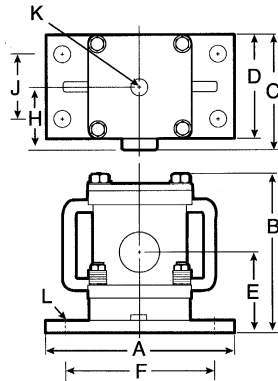
TECHNICAL DATA SHEET

DIMENSIONS—in. (mm)

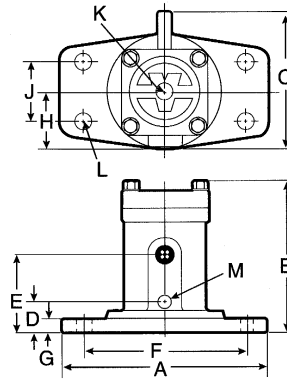
Model	A	B	C	D	E	F	G	H	J	Inlet NPT	L	Exhaust NPT
T-125	5.75 [146]	4.00 [101]	4.19 [106]	0.84 [21]	1.84 [47]	4.5 [114]	0.62 [16]	1.69 [43]	0.50 [13]	1/4	—	1/4
T-200	8.87 [225]	6.00 [152]	5.75 [146]	1.56 [40]	2.76 [70]	7.5 [190]	0.75 [19]	2.47 [63]	0.62 [16]	1/2	—	1/4
T-250	11.62 [290]	7.25 [184]	6.19 [157]	6.00 [152]	3.75 [95]	9.5 [241]	1.00 [25]	3.19 [81]	3.50 [89]	1/2	0.75 [19]	—
T-300	12.00 [305]	8.62 [219]	7.69 [195]	1.75 [44]	4.00 [102]	9.5 [241]	0.75 [19]	3.25 [83]	3.50 [89]	3/4	0.75 [19]	1/2
T-400	12.00 [305]	11.88 [301]	7.38 [187]	6.00 [152]	4.25 [108]	10.0 [254]	2.50 [63]	4.40 [112]	4.00 [102]	3/4	—	3/4



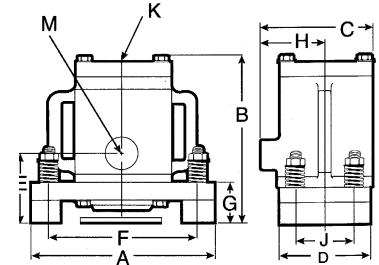
T-125, T-200



T-250



T-300



T-400

ACCESSORIES

Part Number	Description
See Chart	Channel Mount
	Mounting Kit
32271	Safety Cable Assembly
39504	Control Line Kit
14824	Ball Valve 1/2" NPT
14760	Filter, Regulator, Lubricator Combination, 1/2" NPT
14766	Air Motor Oil (qt)
38902	Pneumatic Controller/Timer – Single Circuit
38901	Pneumatic Controller/Timer – Multiple Circuit
36343-NC	Solenoid Valve 115/1/60, 1/2" NPT
36528-NC	Solenoid Valve NC 24V DC Pilot Operate

Model	Channel Mount	Mounting Kit
T-125	29928-01	29810
T-200	29928-02	29811
T-250	29928-05	39604
T-300	29928-05	39604
T-400	N/A	N/A



Martin Engineering USA

One Martin Place
 Neponset, IL 61345-9766 USA
 800 544 2947 or 309 852 2384
 Fax 800 814 1553
 www.martin-eng.com

**COMPANY WITH
 QUALITY SYSTEM
 CERTIFIED BY DNV GL
 = ISO 9001 =**

Problem Solved™ GUARANTEED!

Form No. L2733-02-09/23
 © Martin Engineering Company 1998, 2023