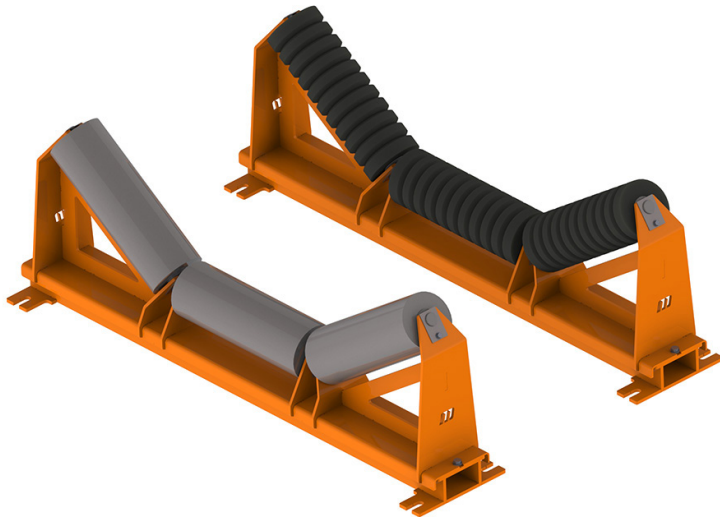
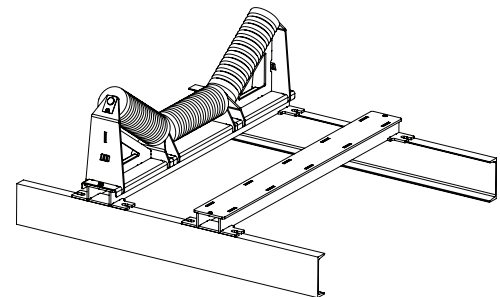


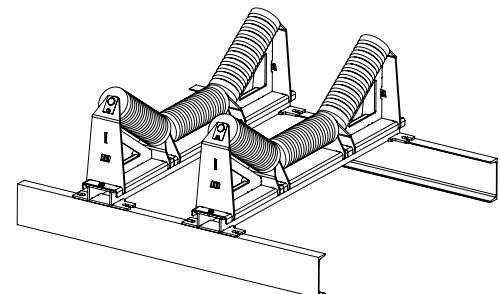
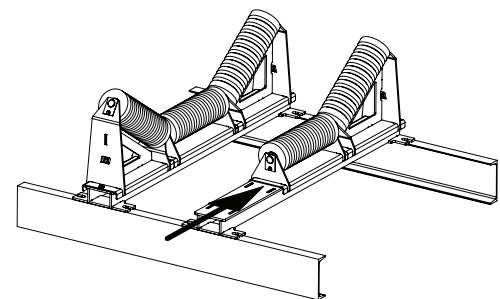
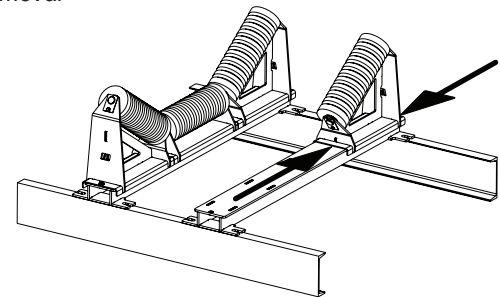
Martin® Trac-Mount™ Idlers



Martin® Trac-Mount™ Idlers utilize sliding frames on a stationary base to provide an idler set that will fit in tight spaces between belt support cradles and allows easy installation and service. Trac-Mount™ Idlers are available with standard or wide base frames and utilize impact or steel rolls in CEMA class C, D, or E.



Idler Removal

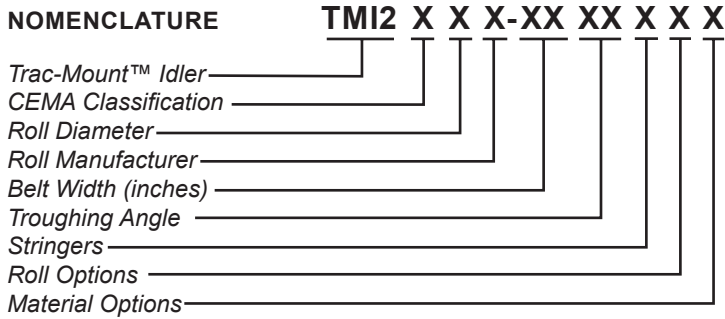


BENEFITS

- **Allows Close Spacing**
Slide-in frames need only eight inches (203 mm) of width for 6-inch (152 mm) rolls.
- **Improves System Serviceability**
Slide-out/slide-in roller frames allows idler service without need to raise belt or remove adjacent idlers.
- **Prevents Fugitive Material**
Trac-Mount™ Idlers provide proper belt carriage while they stabilize the belt line to improve sealing.
- **PPI or PROK Rolls Now Standard**
Assemblies are supplied with steel or impact rolls from Precision Pulley and Idler or PROK.

TECHNICAL DATA SHEET

NOMENCLATURE



CEMA CLASSIFICATION:
C, D, or E

ROLL DIAMETER:
5, 6, or 7 in.

ROLL MANUFACTURER:
P: Precision Pulley and Idler
K: PROK

BELT WIDTH:
CEMA C: 18—60 in.
CEMA D: 24—72 in.
CEMA E: 36—96 in.

TROUGHING ANGLE:
20: 20 Degrees
35: 35 Degrees
45: 45 Degrees
PI: Picking Idler (not available with PROK rolls)

STRINGERS:
S: Standard Base (Belt Width + 9 in.)
W: Wide Base (Belt Width + 15 in.)

ROLL OPTIONS:
S: Steel Rolls
I: Impact Rolls
C: Combination Rolls
F: Frame Only

MATERIALS OPTIONS:
Blank: Mild Steel
C: 304 Stainless Steel
S: 316 Stainless Steel

*For Picking Idler Option, please speak with your
Martin Engineering Representative.*

ORDER INFORMATION

| | |
|---------------------------------------------------------------------------------------------------|--------------------------------------------------------------------------------------------------------|
| Conveyor Criteria: Belt Width Trough Angle CEMA Rating Stringer Dimensions | Roller Criteria Idler Manufacturer Model No. CEMA Class Roller Type Bearing Lubrication |
| <i>Or complete an Idler Data Sheet (Form EN-R7) and return it to Martin Engineering.</i> | |
| <i>Please note any special requirements (i.e. special frame material, paint color, etc.).</i> | |

CUSTOM ENGINEERING

Martin Engineering can custom-design Martin® Trac-Mount™ Idlers to meet unique application requirements. Options include steel construction, frames with adjustable angle, rolls from alternative suppliers, or other special needs. Discuss your application with a Martin Engineering representative.



Martin Engineering Australia Pty Ltd.
20 Ern Harley Dr - Burleigh Heads, QLD, 4220 - Australia
1300 627 364
www.martin-eng.com.au

