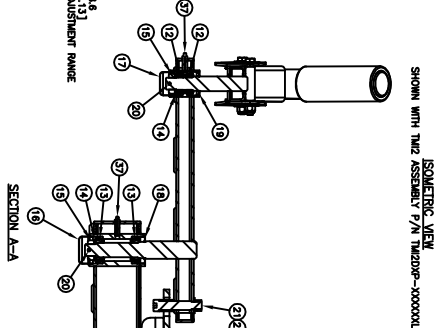
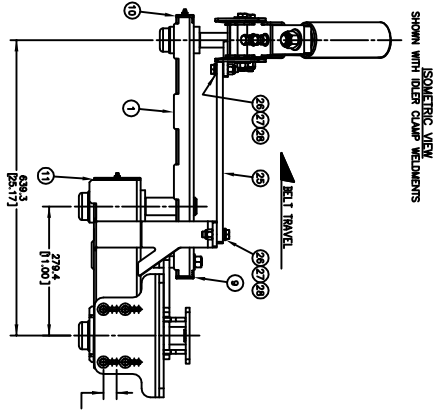
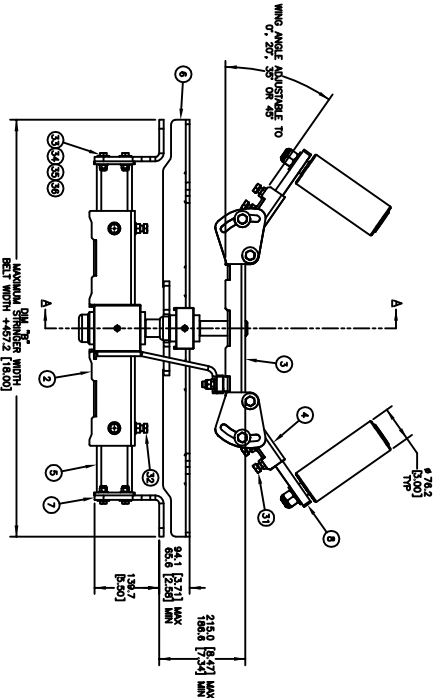
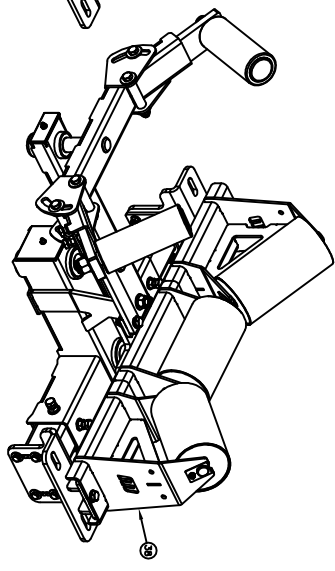
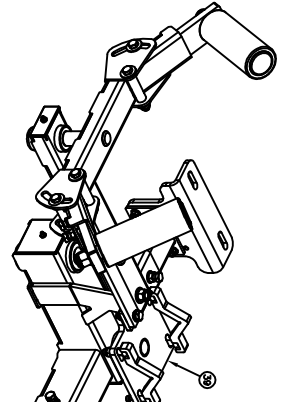
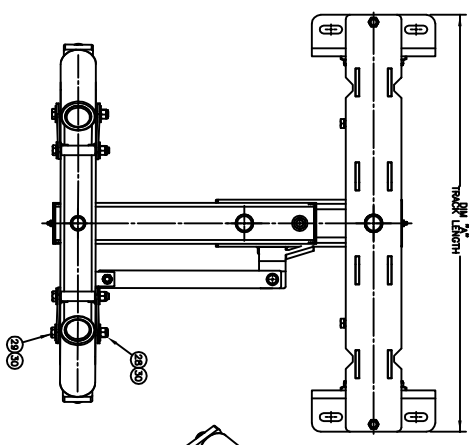


PART NUMBER	REV	DESCRIPTION
CHINA5000001	1	INITIAL DESIGN
CHINA5000002	2	REVISED DESIGN
CHINA5000003	3	REVISED DESIGN
CHINA5000004	4	REVISED DESIGN
CHINA5000005	5	REVISED DESIGN
CHINA5000006	6	REVISED DESIGN
CHINA5000007	7	REVISED DESIGN
CHINA5000008	8	REVISED DESIGN
CHINA5000009	9	REVISED DESIGN
CHINA5000010	10	REVISED DESIGN
CHINA5000011	11	REVISED DESIGN
CHINA5000012	12	REVISED DESIGN
CHINA5000013	13	REVISED DESIGN
CHINA5000014	14	REVISED DESIGN
CHINA5000015	15	REVISED DESIGN
CHINA5000016	16	REVISED DESIGN
CHINA5000017	17	REVISED DESIGN
CHINA5000018	18	REVISED DESIGN
CHINA5000019	19	REVISED DESIGN
CHINA5000020	20	REVISED DESIGN
CHINA5000021	21	REVISED DESIGN
CHINA5000022	22	REVISED DESIGN
CHINA5000023	23	REVISED DESIGN
CHINA5000024	24	REVISED DESIGN
CHINA5000025	25	REVISED DESIGN
CHINA5000026	26	REVISED DESIGN
CHINA5000027	27	REVISED DESIGN
CHINA5000028	28	REVISED DESIGN
CHINA5000029	29	REVISED DESIGN
CHINA5000030	30	REVISED DESIGN
CHINA5000031	31	REVISED DESIGN
CHINA5000032	32	REVISED DESIGN
CHINA5000033	33	REVISED DESIGN
CHINA5000034	34	REVISED DESIGN
CHINA5000035	35	REVISED DESIGN
CHINA5000036	36	REVISED DESIGN
CHINA5000037	37	REVISED DESIGN
CHINA5000038	38	REVISED DESIGN
CHINA5000039	39	REVISED DESIGN
CHINA5000040	40	REVISED DESIGN
CHINA5000041	41	REVISED DESIGN
CHINA5000042	42	REVISED DESIGN
CHINA5000043	43	REVISED DESIGN
CHINA5000044	44	REVISED DESIGN
CHINA5000045	45	REVISED DESIGN
CHINA5000046	46	REVISED DESIGN
CHINA5000047	47	REVISED DESIGN
CHINA5000048	48	REVISED DESIGN
CHINA5000049	49	REVISED DESIGN
CHINA5000050	50	REVISED DESIGN

PART NUMBER	REV	DESCRIPTION
CHINA5000051	1	REVISED DESIGN
CHINA5000052	2	REVISED DESIGN
CHINA5000053	3	REVISED DESIGN
CHINA5000054	4	REVISED DESIGN
CHINA5000055	5	REVISED DESIGN
CHINA5000056	6	REVISED DESIGN
CHINA5000057	7	REVISED DESIGN
CHINA5000058	8	REVISED DESIGN
CHINA5000059	9	REVISED DESIGN
CHINA5000060	10	REVISED DESIGN
CHINA5000061	11	REVISED DESIGN
CHINA5000062	12	REVISED DESIGN
CHINA5000063	13	REVISED DESIGN
CHINA5000064	14	REVISED DESIGN
CHINA5000065	15	REVISED DESIGN
CHINA5000066	16	REVISED DESIGN
CHINA5000067	17	REVISED DESIGN
CHINA5000068	18	REVISED DESIGN
CHINA5000069	19	REVISED DESIGN
CHINA5000070	20	REVISED DESIGN
CHINA5000071	21	REVISED DESIGN
CHINA5000072	22	REVISED DESIGN
CHINA5000073	23	REVISED DESIGN
CHINA5000074	24	REVISED DESIGN
CHINA5000075	25	REVISED DESIGN
CHINA5000076	26	REVISED DESIGN
CHINA5000077	27	REVISED DESIGN
CHINA5000078	28	REVISED DESIGN
CHINA5000079	29	REVISED DESIGN
CHINA5000080	30	REVISED DESIGN
CHINA5000081	31	REVISED DESIGN
CHINA5000082	32	REVISED DESIGN
CHINA5000083	33	REVISED DESIGN
CHINA5000084	34	REVISED DESIGN
CHINA5000085	35	REVISED DESIGN
CHINA5000086	36	REVISED DESIGN
CHINA5000087	37	REVISED DESIGN
CHINA5000088	38	REVISED DESIGN
CHINA5000089	39	REVISED DESIGN
CHINA5000090	40	REVISED DESIGN
CHINA5000091	41	REVISED DESIGN
CHINA5000092	42	REVISED DESIGN
CHINA5000093	43	REVISED DESIGN
CHINA5000094	44	REVISED DESIGN
CHINA5000095	45	REVISED DESIGN
CHINA5000096	46	REVISED DESIGN
CHINA5000097	47	REVISED DESIGN
CHINA5000098	48	REVISED DESIGN
CHINA5000099	49	REVISED DESIGN
CHINA5000100	50	REVISED DESIGN

PART NUMBER	REV	DESCRIPTION
CHINA5000101	1	REVISED DESIGN
CHINA5000102	2	REVISED DESIGN
CHINA5000103	3	REVISED DESIGN
CHINA5000104	4	REVISED DESIGN
CHINA5000105	5	REVISED DESIGN
CHINA5000106	6	REVISED DESIGN
CHINA5000107	7	REVISED DESIGN
CHINA5000108	8	REVISED DESIGN
CHINA5000109	9	REVISED DESIGN
CHINA5000110	10	REVISED DESIGN
CHINA5000111	11	REVISED DESIGN
CHINA5000112	12	REVISED DESIGN
CHINA5000113	13	REVISED DESIGN
CHINA5000114	14	REVISED DESIGN
CHINA5000115	15	REVISED DESIGN
CHINA5000116	16	REVISED DESIGN
CHINA5000117	17	REVISED DESIGN
CHINA5000118	18	REVISED DESIGN
CHINA5000119	19	REVISED DESIGN
CHINA5000120	20	REVISED DESIGN
CHINA5000121	21	REVISED DESIGN
CHINA5000122	22	REVISED DESIGN
CHINA5000123	23	REVISED DESIGN
CHINA5000124	24	REVISED DESIGN
CHINA5000125	25	REVISED DESIGN
CHINA5000126	26	REVISED DESIGN
CHINA5000127	27	REVISED DESIGN
CHINA5000128	28	REVISED DESIGN
CHINA5000129	29	REVISED DESIGN
CHINA5000130	30	REVISED DESIGN
CHINA5000131	31	REVISED DESIGN
CHINA5000132	32	REVISED DESIGN
CHINA5000133	33	REVISED DESIGN
CHINA5000134	34	REVISED DESIGN
CHINA5000135	35	REVISED DESIGN
CHINA5000136	36	REVISED DESIGN
CHINA5000137	37	REVISED DESIGN
CHINA5000138	38	REVISED DESIGN
CHINA5000139	39	REVISED DESIGN
CHINA5000140	40	REVISED DESIGN
CHINA5000141	41	REVISED DESIGN
CHINA5000142	42	REVISED DESIGN
CHINA5000143	43	REVISED DESIGN
CHINA5000144	44	REVISED DESIGN
CHINA5000145	45	REVISED DESIGN
CHINA5000146	46	REVISED DESIGN
CHINA5000147	47	REVISED DESIGN
CHINA5000148	48	REVISED DESIGN
CHINA5000149	49	REVISED DESIGN
CHINA5000150	50	REVISED DESIGN



PART NUMBER	REV	DESCRIPTION
CHINA5000151	1	REVISED DESIGN
CHINA5000152	2	REVISED DESIGN
CHINA5000153	3	REVISED DESIGN
CHINA5000154	4	REVISED DESIGN
CHINA5000155	5	REVISED DESIGN
CHINA5000156	6	REVISED DESIGN
CHINA5000157	7	REVISED DESIGN
CHINA5000158	8	REVISED DESIGN
CHINA5000159	9	REVISED DESIGN
CHINA5000160	10	REVISED DESIGN
CHINA5000161	11	REVISED DESIGN
CHINA5000162	12	REVISED DESIGN
CHINA5000163	13	REVISED DESIGN
CHINA5000164	14	REVISED DESIGN
CHINA5000165	15	REVISED DESIGN
CHINA5000166	16	REVISED DESIGN
CHINA5000167	17	REVISED DESIGN
CHINA5000168	18	REVISED DESIGN
CHINA5000169	19	REVISED DESIGN
CHINA5000170	20	REVISED DESIGN
CHINA5000171	21	REVISED DESIGN
CHINA5000172	22	REVISED DESIGN
CHINA5000173	23	REVISED DESIGN
CHINA5000174	24	REVISED DESIGN
CHINA5000175	25	REVISED DESIGN
CHINA5000176	26	REVISED DESIGN
CHINA5000177	27	REVISED DESIGN
CHINA5000178	28	REVISED DESIGN
CHINA5000179	29	REVISED DESIGN
CHINA5000180	30	REVISED DESIGN
CHINA5000181	31	REVISED DESIGN
CHINA5000182	32	REVISED DESIGN
CHINA5000183	33	REVISED DESIGN
CHINA5000184	34	REVISED DESIGN
CHINA5000185	35	REVISED DESIGN
CHINA5000186	36	REVISED DESIGN
CHINA5000187	37	REVISED DESIGN
CHINA5000188	38	REVISED DESIGN
CHINA5000189	39	REVISED DESIGN
CHINA5000190	40	REVISED DESIGN
CHINA5000191	41	REVISED DESIGN
CHINA5000192	42	REVISED DESIGN
CHINA5000193	43	REVISED DESIGN
CHINA5000194	44	REVISED DESIGN
CHINA5000195	45	REVISED DESIGN
CHINA5000196	46	REVISED DESIGN
CHINA5000197	47	REVISED DESIGN
CHINA5000198	48	REVISED DESIGN
CHINA5000199	49	REVISED DESIGN
CHINA5000200	50	REVISED DESIGN

NOTES:  
 1. THE FIRST DIGIT IN PART NUMBER INDICATES BELT WIDTH.  
 2. THE SECOND DIGIT INDICATES MATERIAL FINISH OPTION.  
 3. THE THIRD DIGIT INDICATES STAINLESS STEEL OR OTHER MATERIAL.  
 4. THE FOURTH DIGIT INDICATES THROUGH ANGLE OPTION.  
 5. THE FIFTH DIGIT INDICATES THE ASSSEMBLY INCLUDED.  
 6. THE SIXTH DIGIT INDICATES THE ROLL DIAMETER.  
 7. THE SEVENTH DIGIT INDICATES THE ROLL WIDTH.  
 8. THE EIGHTH DIGIT INDICATES THE ROLL LENGTH.

HEAVY DUTY  
 UPPER TRACKER  
 ASSEMBLY

DATE: 09/17/23  
 DRAWN BY: JMM  
 CHECKED BY: JMM  
 SCALE: 3/4"