

PART NUMBER	BELT WIDTH	TROUGH ANGLE	CHUTE WIDTH (INSIDE)	STRINGER WIDTH	
				STD BASE	WIDE BASE
CDT2S18X20XXX	457.2 [18.00]	20	228.6 [9.00]	762.0 [30.00]	914.4 [36.00]
CDT2S18X35XXX	457.2 [18.00]	35	228.6 [9.00]	762.0 [30.00]	914.4 [36.00]
CDT2S18X45XXX	457.2 [18.00]	45	228.6 [9.00]	762.0 [30.00]	914.4 [36.00]
CDT2S24X20XXX	609.6 [24.00]	20	349.3 [13.75]	914.4 [36.00]	1066.8 [42.00]
CDT2S24X35XXX	609.6 [24.00]	35	349.3 [13.75]	914.4 [36.00]	1066.8 [42.00]
CDT2S24X45XXX	609.6 [24.00]	45	349.3 [13.75]	914.4 [36.00]	1066.8 [42.00]
CDT2S30X20XXX	762.0 [30.00]	20	476.3 [18.75]	1066.8 [42.00]	1219.2 [48.00]
CDT2S30X35XXX	762.0 [30.00]	35	444.5 [17.50]	1066.8 [42.00]	1219.2 [48.00]
CDT2S30X45XXX	762.0 [30.00]	45	416.1 [16.38]	1066.8 [42.00]	1219.2 [48.00]
CDT2S36X20XXX	914.4 [36.00]	20	622.3 [24.50]	1219.2 [48.00]	1371.6 [54.00]
CDT2S36X35XXX	914.4 [36.00]	35	584.2 [23.00]	1219.2 [48.00]	1371.6 [54.00]
CDT2S36X45XXX	914.4 [36.00]	45	539.8 [21.25]	1219.2 [48.00]	1371.6 [54.00]
CDT2S42X20XXX	1066.8 [42.00]	20	762.0 [30.00]	1371.6 [54.00]	1524.0 [60.00]
CDT2S42X35XXX	1066.8 [42.00]	35	704.9 [27.75]	1371.6 [54.00]	1524.0 [60.00]
CDT2S42X45XXX	1066.8 [42.00]	45	647.7 [25.50]	1371.6 [54.00]	1524.0 [60.00]
CDT2S48X20XXX	1219.2 [48.00]	20	908.1 [35.75]	1524.0 [60.00]	1676.4 [66.00]
CDT2S48X35XXX	1219.2 [48.00]	35	838.2 [33.00]	1524.0 [60.00]	1676.4 [66.00]
CDT2S48X45XXX	1219.2 [48.00]	45	768.4 [30.25]	1524.0 [60.00]	1676.4 [66.00]
CDT2S54X20XXX	1371.6 [54.00]	20	1054.1 [41.50]	1676.4 [66.00]	1828.8 [72.00]
CDT2S54X35XXX	1371.6 [54.00]	35	971.6 [38.25]	1676.4 [66.00]	1828.8 [72.00]
CDT2S54X45XXX	1371.6 [54.00]	45	895.4 [35.25]	1676.4 [66.00]	1828.8 [72.00]
CDT2S60X20XXX	1524.0 [60.00]	20	1200.2 [47.25]	1828.8 [72.00]	1981.2 [78.00]
CDT2S60X35XXX	1524.0 [60.00]	35	1104.9 [43.50]	1828.8 [72.00]	1981.2 [78.00]
CDT2S60X45XXX	1524.0 [60.00]	45	1016.0 [40.00]	1828.8 [72.00]	1981.2 [78.00]
CDT2S72X20XXX	1828.8 [72.00]	20	1498.6 [59.00]	2133.6 [84.00]	2286.0 [90.00]
CDT2S72X35XXX	1828.8 [72.00]	35	1380.0 [54.25]	2133.6 [84.00]	2286.0 [90.00]
CDT2S72X45XXX	1828.8 [72.00]	45	1270.0 [50.00]	2133.6 [84.00]	2286.0 [90.00]

* FOR BELT WIDTHS 18"-36": FREE BELT AREA IS 101.6 [4.00"]
 * FOR BELT WIDTHS 42" AND LARGER: FREE BELT AREA IS 143.0 [5.63"]
 * REFER TO L3636 FOR APRONSEAL COMPATIBILITY

ITEM 1: CHUTEWALL	
PART NO.	LENGTH
37548-4EW18X	1219.2 [48.00]
37548-6EW18X	1828.8 [72.00]

LAST X INDICATES MATERIAL:
 T= MILD STEEL, GRAY PAINT
 S= 304 STAINLESS STEEL
 F= 316 STAINLESS STEEL

ITEM 8: STILLING SECTION COVERS	
PART NO.	LENGTH
CDT1P1XXX4X	1219.2 [48.00]
CDT1P1XXX6X	1828.8 [72.00]

FIRST XX INDICATES BELT WIDTH [INCHES]
 NEXT XX INDICATES TROUGH ANGLE
 LAST X INDICATES MATERIAL:
 T= MILD STEEL, GRAY PAINT
 S= 304 STAINLESS STEEL
 F= 316 STAINLESS STEEL

ITEM 2: WEARLINER				
PART NO.	LENGTH	THICKNESS	MATERIAL	
38481-52SS	1828.8 [72.00]	6.4 [25]	AR 500	
38481-52SS48	1219.2 [48.00]	6.4 [25]	AR 500	
38481-53SS	1828.8 [72.00]	9.5 [38]	AR 500	
38481-53SS48	1219.2 [48.00]	9.5 [38]	AR 500	
38481-55OS	1828.8 [72.00]	12.7 [50]	AR 500	
38481-55OS48	1219.2 [48.00]	12.7 [50]	AR 500	
38481-55OS48	1219.2 [48.00]	12.7 [50]	AR 500	
38481-C38S	1828.8 [72.00]	9.5 [38]	304 SS	
38481-C38S48	1219.2 [48.00]	9.5 [38]	304 SS	
38481-C50S	1828.8 [72.00]	12.7 [50]	304 SS	
38481-C50S48	1219.2 [48.00]	12.7 [50]	304 SS	
38481-S38S	1828.8 [72.00]	9.5 [38]	316 SS	
38481-S38S48	1219.2 [48.00]	9.5 [38]	316 SS	
38481-S50S	1828.8 [72.00]	12.7 [50]	316 SS	
38481-S50S48	1219.2 [48.00]	12.7 [50]	316 SS	
38481-A50S	1828.8 [72.00]	12.7 [50]	ARCOPLATE	
38481-A50S48	1219.2 [48.00]	12.7 [50]	ARCOPLATE	
38481-A50S48	1219.2 [48.00]	12.7 [50]	ARCOPLATE	

P/N INCLUDES SEAL CLAMPS AND HARDWARE

INSTALLATION HARDWARE	
PART NO.	SKIRTBOARD LENGTH
CDT2H4XXX	1219.2 [48.00]
CDT2H6XXX	1828.8 [72.00]

FIRST XX INDICATES BELT WIDTH [INCHES]
 LAST X INDICATES MATERIAL:
 T= ZINC PLATED
 S= 304 STAINLESS STEEL
 F= 316 STAINLESS STEEL

ITEM 7: STILLING SECTION CURTAINS	
PART NO.	LENGTH
37557-XX36C	

FIRST XX INDICATES BELT WIDTH [INCHES]
 QTY CURTAINS FOR 4FT SECTION=8
 QTY CURTAINS FOR 6FT SECTION=9

ITEM 6: CHUTEWALL EXTENSION	
PART NO.	LENGTH
37552-18X	1219.2 [48.00]
37552-186X	1828.8 [72.00]

X INDICATES MATERIAL:
 BLANK= MILD STEEL, GRAY PAINT
 C= 304 STAINLESS STEEL
 S= 316 STAINLESS STEEL

ITEM 9: STILLING END COVER	
PART NO.	LENGTH
CDT1P3XXXXXX	

FIRST XX INDICATES BELT WIDTH [INCHES]
 NEXT XX INDICATES TROUGH ANGLE
 NEXT XX INDICATES EXTENSION HEIGHT [INCHES]:
 06= 6.00 INCHES
 12= 12.00 INCHES
 18= 18.00 INCHES
 LAST X INDICATES MATERIAL:
 T= MILD STEEL, GRAY PAINT
 S= 304 STAINLESS STEEL
 F= 316 STAINLESS STEEL

ITEM 3&4: OUTER SUPPORTS		
BELT WIDTH	STANDARD BASE	WIDE BASE
457.2 [18.00]-1066.8 [42.00]	37554D-R1SX	37554D-R1WX
	37554D-L1SX	37554D-L1WX
1219.2 [48.00]-1828.8 [72.00]	37554D-R2SX	37554D-R2WX
	37554D-L2SX	37554D-L2WX

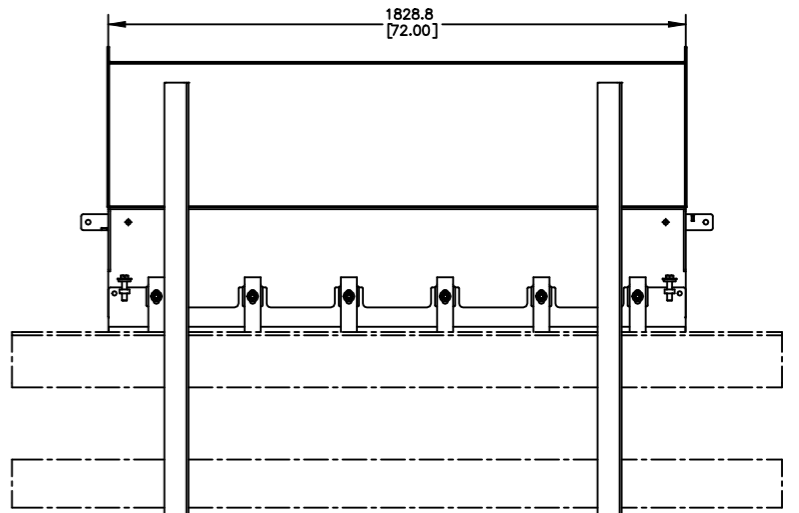
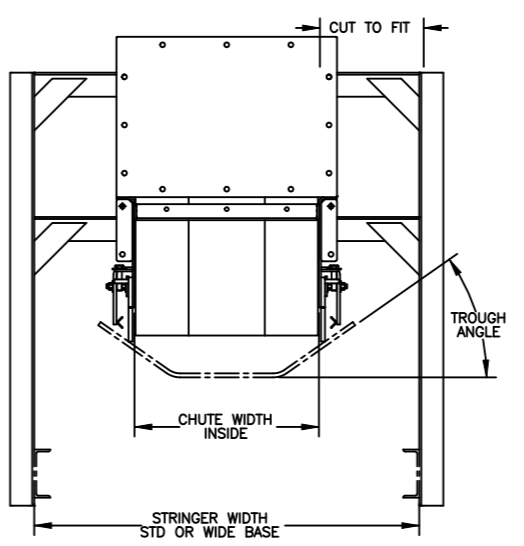
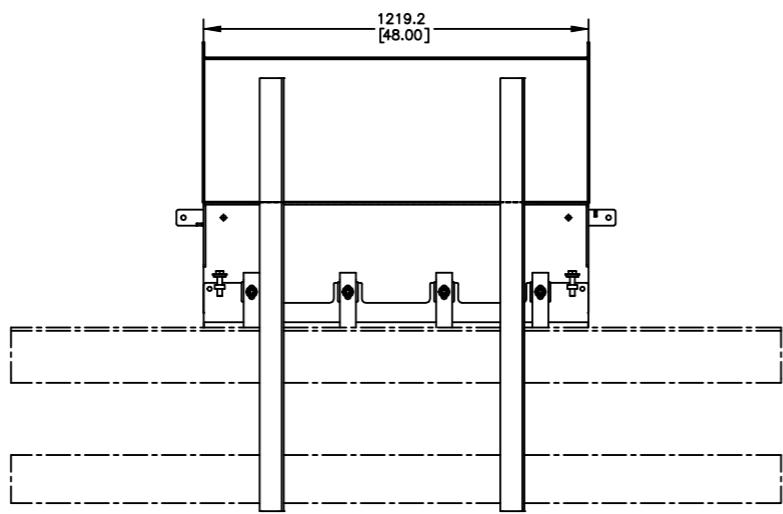
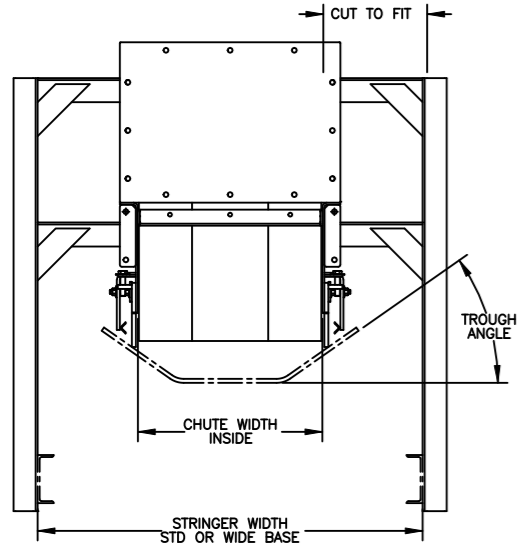
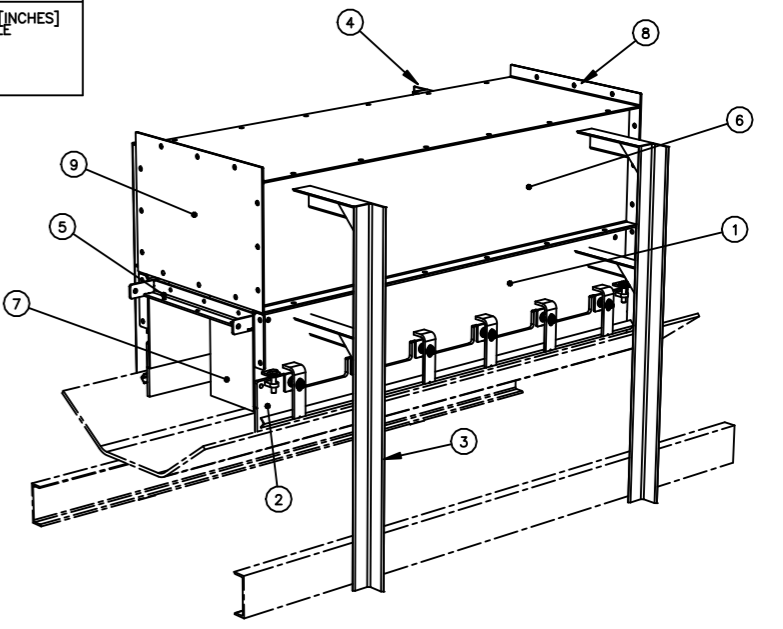
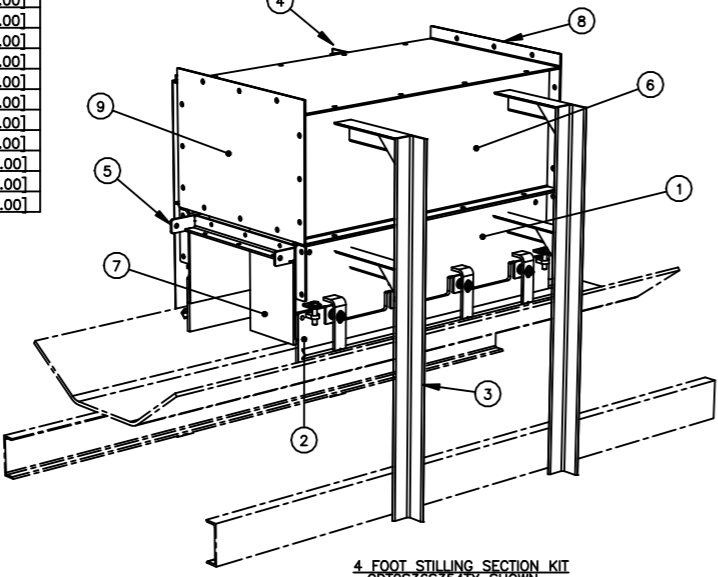
X IN PART NUMBER INDICATES MATERIAL:
 BLANK= MILD STEEL, GRAY PAINT
 C= 304 STAINLESS STEEL
 S= 316 STAINLESS STEEL
 ** SUPPORTS ARE LONGER THAN REQUIRED, FIELD TRIM TO DESIRED LENGTH**

ITEM 5: INNER CHUTE SUPPORTS	
PART NO.	LENGTH
37564-XXXXX	

FIRST XX INDICATES BELT WIDTH [INCHES]
 NEXT XX INDICATES TROUGH ANGLE
 LAST X INDICATES MATERIAL:
 BLANK= MILD STEEL, GRAY PAINT
 C= 304 STAINLESS STEEL
 S= 316 STAINLESS STEEL

ITEM	QTY	DESCRIPTION	PART NUMBER
1	2	CHUTEWALL WELDMENT	SEE CHART
2	2	WEARLINER ASSEMBLY	SEE CHART
3	2	OUTER CHUTE SUPPORT-RT	SEE CHART
4	2	OUTER CHUTE SUPPORT-LT	SEE CHART
5	2	INNER CHUTE SUPPORT	SEE CHART
6	2	CHUTE EXTENSION	SEE CHART
7	S/C	DUST CURTAIN	SEE CHART
8	1	TOP FLAT COVER	SEE CHART
9	2	END COVER	SEE CHART
10	1	INSTALLATION HARDWARE	SEE CHART

NS=NOT SHOWN
 S/C=SEE CHART



NOTES:
 THE "CDT2" IN PART NUMBER INDICATES EXTENDED HEIGHT STILLING SECTION
 THE NEXT SXX INDICATES BELT WIDTH IN INCHES
 EXAMPLE:
 S24= 24" BELT WIDTH
 W48= 48" BELT WIDTH
 THE NEXT X INDICATES STRINGER WIDTH
 S= STANDARD BASE
 W= WIDE BASE
 THE NEXT XX INDICATES BELT TROUGH ANGLE
 20= 20 DEGREE TROUGH
 35= 35 DEGREE TROUGH
 45= 45 DEGREE TROUGH
 THE NEXT X INDICATES SKIRTBOARD SECTION LENGTH [FOOT]
 4= 4 FOOT SECTION
 6= 6 FOOT SECTION
 THE NEXT X INDICATES MATERIAL TYPE:
 T= MILD STEEL
 S= 304 STAINLESS STEEL
 F= 316 STAINLESS STEEL
 THE LAST X INDICATES LINER MATERIAL:
 1= 304 SS 1/4" THICK
 2= 304 SS 1/2" THICK
 3= 304 SS 1/2" THICK
 4= 316 SS 1/4" THICK
 5= 316 SS 1/2" THICK
 6= 316 SS 1/2" THICK
 7= AR500 1/4" THICK
 8= AR500 3/8" THICK
 9= AR500 1/2" THICK
 A= ARCOPLATE 1/2" THICK
 B= B9CC 1/2" AR500 4FT SECTION ONLY
 ADD AN "L" TO END OF P/N FOR LESS COVERS

© Copyright 2021 Martin Engineering. All rights reserved. Covered by U.S. and foreign patents pending and issued. ® and TM indicate trademarks of Martin Engineering.

MARTIN ENGINEERING
 NEPONSET, IL USA

DRAWN JRB
 DATE 10/27/21
 CHECKED

ENG. JAR
 DATE 11/15/21
 I.E. JRB
 DATE 03/18/22
 APPROVED JRB
 DATE 03/18/22

TITLE: STILLING ZONE KITS
 18 IN STD W/18 IN EXT
 (4FT & 6FT SECTIONS)

DRAWING NUMBER: CDT2SXXXXXXX
 PR141212

SCALE: 1:12

REV	DESCRIPTION	ECN	DATE	BY
MATERIAL: SEE NOTES	FINISH: --	WEIGHT: --		
UNLESS OTHERWISE SPECIFIED TOLERANCES IN MM [INCH]:		SURFACE FINISH: 12.5/		
DIMENSIONS ARE IN MM [INCH]		ANGULAR: ±1		
DIMENSIONS FOR REFERENCE ONLY		DRAFT ANGLE: --		