

PART NUMBER	BELT WIDTH	TROUGH ANGLE	CHUTE WIDTH (INSIDE)	STRINGER WIDTH	
				STD BASE	WIDE BASE
CDT1S18X20XXX	457.2 [18.00]	20	228.6 [9.00]	762.0 [30.00]	914.4 [36.00]
CDT1S18X35XXX	457.2 [18.00]	35	228.6 [9.00]	762.0 [30.00]	914.4 [36.00]
CDT1S18X45XXX	457.2 [18.00]	45	228.6 [9.00]	762.0 [30.00]	914.4 [36.00]
CDT1S24X20XXX	609.6 [24.00]	20	349.3 [13.75]	914.4 [36.00]	1066.8 [42.00]
CDT1S24X35XXX	609.6 [24.00]	35	349.3 [13.75]	914.4 [36.00]	1066.8 [42.00]
CDT1S24X45XXX	609.6 [24.00]	45	349.3 [13.75]	914.4 [36.00]	1066.8 [42.00]
CDT1S30X20XXX	762.0 [30.00]	20	476.3 [18.75]	1066.8 [42.00]	1219.2 [48.00]
CDT1S30X35XXX	762.0 [30.00]	35	444.5 [17.50]	1066.8 [42.00]	1219.2 [48.00]
CDT1S30X45XXX	762.0 [30.00]	45	416.1 [16.38]	1066.8 [42.00]	1219.2 [48.00]
CDT1S36X20XXX	914.4 [36.00]	20	622.3 [24.50]	1219.2 [48.00]	1371.6 [54.00]
CDT1S36X35XXX	914.4 [36.00]	35	584.2 [23.00]	1219.2 [48.00]	1371.6 [54.00]
CDT1S36X45XXX	914.4 [36.00]	45	539.8 [21.25]	1219.2 [48.00]	1371.6 [54.00]
CDT1S42X20XXX	1066.8 [42.00]	20	762.0 [30.00]	1371.6 [54.00]	1524.0 [60.00]
CDT1S42X35XXX	1066.8 [42.00]	35	704.9 [27.75]	1371.6 [54.00]	1524.0 [60.00]
CDT1S42X45XXX	1066.8 [42.00]	45	647.7 [25.50]	1371.6 [54.00]	1524.0 [60.00]
CDT1S48X20XXX	1219.2 [48.00]	20	908.1 [35.75]	1524.0 [60.00]	1676.4 [66.00]
CDT1S48X35XXX	1219.2 [48.00]	35	838.2 [33.00]	1524.0 [60.00]	1676.4 [66.00]
CDT1S48X45XXX	1219.2 [48.00]	45	768.4 [30.25]	1524.0 [60.00]	1676.4 [66.00]
CDT1S54X20XXX	1371.6 [54.00]	20	1054.1 [41.50]	1676.4 [66.00]	1828.8 [72.00]
CDT1S54X35XXX	1371.6 [54.00]	35	971.6 [38.25]	1676.4 [66.00]	1828.8 [72.00]
CDT1S54X45XXX	1371.6 [54.00]	45	895.4 [35.25]	1676.4 [66.00]	1828.8 [72.00]
CDT1S60X20XXX	1524.0 [60.00]	20	1200.2 [47.25]	1828.8 [72.00]	1981.2 [78.00]
CDT1S60X35XXX	1524.0 [60.00]	35	1104.9 [43.50]	1828.8 [72.00]	1981.2 [78.00]
CDT1S60X45XXX	1524.0 [60.00]	45	1016.0 [40.00]	1828.8 [72.00]	1981.2 [78.00]
CDT1S72X20XXX	1828.8 [72.00]	20	1498.6 [59.00]	2133.6 [84.00]	2286.0 [90.00]
CDT1S72X35XXX	1828.8 [72.00]	35	1380.0 [54.25]	2133.6 [84.00]	2286.0 [90.00]
CDT1S72X45XXX	1828.8 [72.00]	45	1270.0 [50.00]	2133.6 [84.00]	2286.0 [90.00]

\* FOR BELT WIDTHS 18"-36": FREE BELT AREA IS 101.6 [4.00"]  
 \* FOR BELT WIDTHS 42" AND LARGER: FREE BELT AREA IS 143.0 [5.63"]  
 \* REFER TO 3636 FOR APRONSEAL COMPATIBILITY

ITEM 1: CHUTEWALL	
PART NO.	LENGTH
37548-4EW	1219.2 [48.00]
37548-6EW	1828.8 [72.00]

ITEM 8: STILLING SECTION COVERS	
PART NO.	LENGTH
CDT1P1XXXX4X	1219.2 [48.00]
CDT1P1XXXX6X	1828.8 [72.00]

FIRST XX INDICATES BELT WIDTH [INCHES]  
 NEXT XX INDICATES TROUGH ANGLE  
 LAST X INDICATES MATERIAL:  
 T= MILD STEEL, GRAY PAINT  
 S= 304 STAINLESS STEEL  
 F= 316 STAINLESS STEEL

ITEM 2: WEARLINER				
PART NO.	LENGTH	THICKNESS	MATERIAL	
38481-525S	1828.8 [72.00]	6.4 [25]	AR 500	
38481-525S48	1219.2 [48.00]	6.4 [25]	AR 500	
38481-538S	1828.8 [72.00]	9.5 [38]	AR 500	
38481-538S48	1219.2 [48.00]	9.5 [38]	AR 500	
38481-550S	1828.8 [72.00]	12.7 [50]	AR 500	
38481-550S48	1219.2 [48.00]	12.7 [50]	AR 500	
38481-C38S	1828.8 [72.00]	9.5 [38]	304 SS	
38481-C38S48	1219.2 [48.00]	9.5 [38]	304 SS	
38481-C50S	1828.8 [72.00]	12.7 [50]	304 SS	
38481-C50S48	1219.2 [48.00]	12.7 [50]	304 SS	
38481-S38S	1828.8 [72.00]	9.5 [38]	316 SS	
38481-S38S48	1219.2 [48.00]	9.5 [38]	316 SS	
38481-S50S	1828.8 [72.00]	12.7 [50]	316 SS	
38481-S50S48	1219.2 [48.00]	12.7 [50]	316 SS	
38481-A50S	1828.8 [72.00]	12.7 [50]	ARCOPLATE	
38481-A50S48	1219.2 [48.00]	12.7 [50]	ARCOPLATE	
38481-550B48	1219.2 [48.00]	12.7 [50]	AR 500	

P/N INCLUDES SEAL CLAMPS AND HARDWARE

INSTALLATION HARDWARE	
PART NO.	SKIRTBOARD LENGTH
CDT1H4XXX	1219.2 [48.00]
CDT1H6XXX	1828.8 [72.00]

FIRST XX INDICATES BELT WIDTH [INCHES]  
 LAST X INDICATES MATERIAL:  
 T= ZINC PLATED  
 S= 304 STAINLESS STEEL  
 F= 316 STAINLESS STEEL

ITEM 7: STILLING SECTION CURTAINS	
PART NO.	LENGTH
37557-XX30C	

FIRST XX INDICATES BELT WIDTH [INCHES]  
 30 INDICATES CURTAIN LENGTH [INCHES]  
 QTY CURTAINS FOR 4FT SECTION=6  
 QTY CURTAINS FOR 6FT SECTION=9

ITEM 6: CHUTEWALL EXTENSION	
PART NO.	LENGTH
37552-18X	1219.2 [48.00]
37552-186X	1828.8 [72.00]

X INDICATES MATERIAL:  
 BLANK= MILD STEEL, GRAY PAINT  
 C= 304 STAINLESS STEEL  
 S= 316 STAINLESS STEEL

ITEM 9: STILLING END COVER	
PART NO.	LENGTH
CDT1P3XXXXXXX	

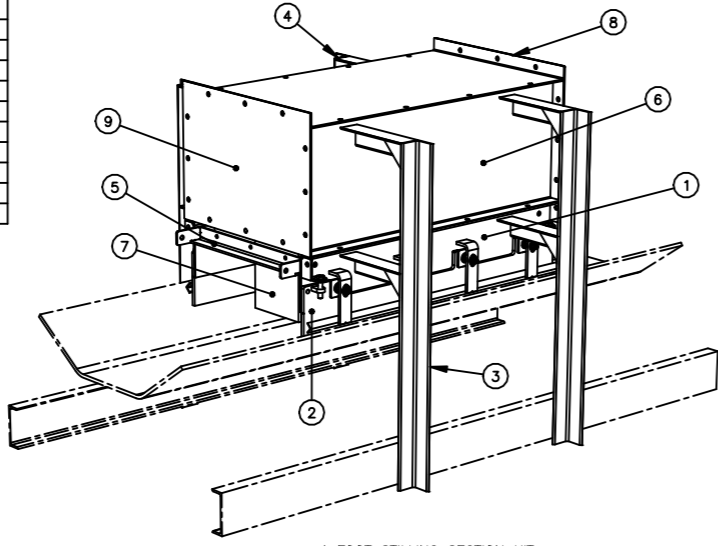
FIRST XX INDICATES BELT WIDTH [INCHES]  
 NEXT XX INDICATES TROUGH ANGLE  
 NEXT XX INDICATES EXTENSION HEIGHT [INCHES]:  
 06= 6.00 INCHES  
 12= 12.00 INCHES  
 18= 18.00 INCHES  
 LAST X INDICATES MATERIAL:  
 T= MILD STEEL, GRAY PAINT  
 S= 304 STAINLESS STEEL  
 F= 316 STAINLESS STEEL

ITEM 3&4: OUTER SUPPORTS		
BELT WIDTH	STANDARD BASE	WIDE BASE
457.2 [18.00]-1066.8 [42.00]	37554D-R1SX	37554D-R1WX
	37554D-L1SX	37554D-L1WX
1219.2 [48.00]-1828.8 [72.00]	37554D-R2SX	37554D-R2WX
	37554D-L2SX	37554D-L2WX

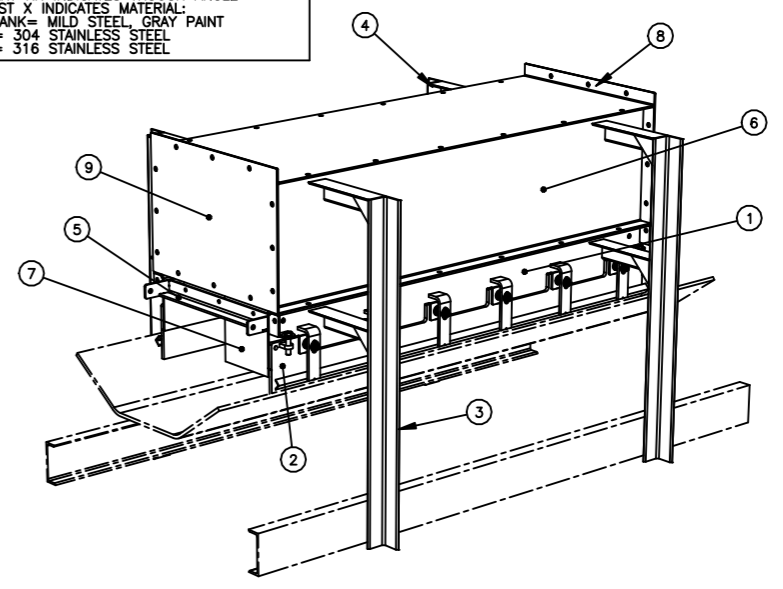
X IN PART NUMBER INDICATES MATERIAL:  
 BLANK= MILD STEEL, GRAY PAINT  
 C= 304 STAINLESS STEEL  
 S= 316 STAINLESS STEEL  
 \*\* SUPPORTS ARE LONGER THAN REQUIRED, FIELD TRIM TO DESIRED LENGTH\*\*

ITEM 5: INNER CHUTE SUPPORTS	
PART NO.	LENGTH
37564-XXXXX	

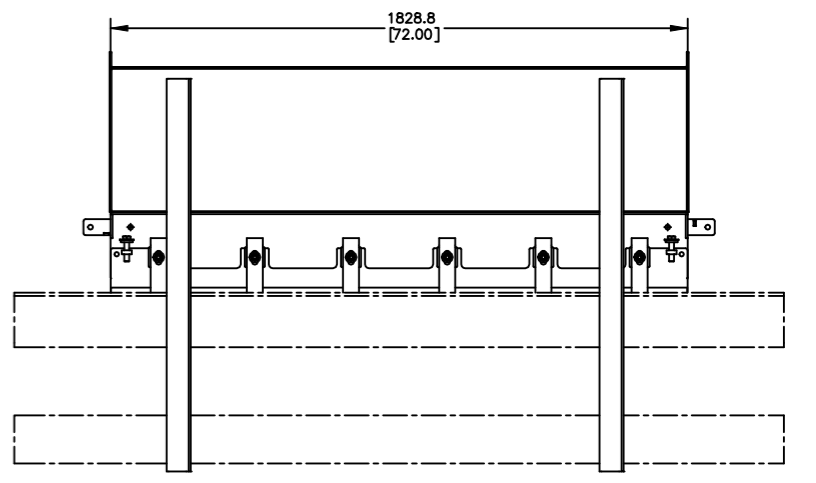
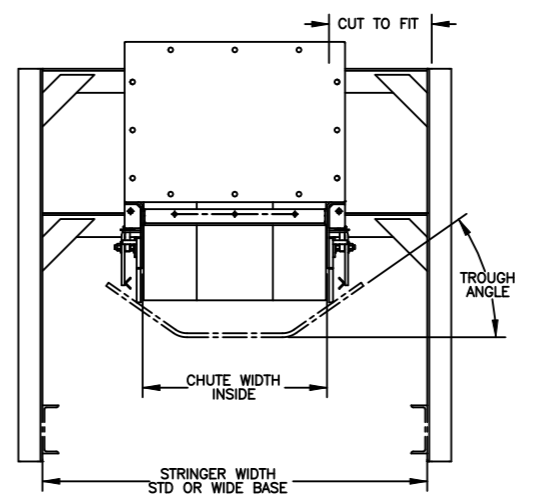
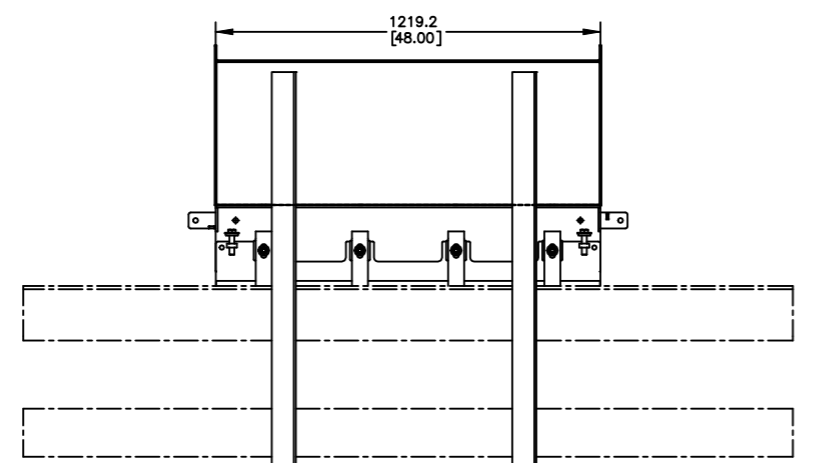
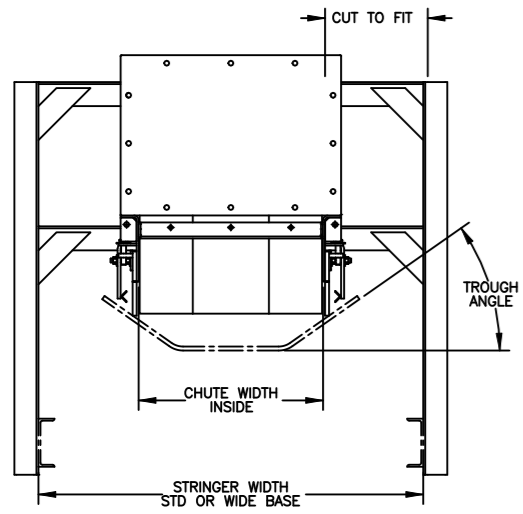
FIRST XX INDICATES BELT WIDTH [INCHES]  
 NEXT XX INDICATES TROUGH ANGLE  
 LAST X INDICATES MATERIAL:  
 BLANK= MILD STEEL, GRAY PAINT  
 C= 304 STAINLESS STEEL  
 S= 316 STAINLESS STEEL



4 FOOT STILLING SECTION KIT  
 CDT1S36S354TX SHOWN



6 FOOT STILLING SECTION KIT  
 CDT1S36S356TX SHOWN



NOTES:  
 THE "CDT1" IN PART NUMBER INDICATES STILLING SECTION  
 THE NEXT SXX INDICATES BELT WIDTH IN INCHES  
 EXAMPLE:  
 S24= 24" BELT WIDTH  
 S48= 48" BELT WIDTH  
 THE NEXT X INDICATES STRINGER WIDTH  
 S= STANDARD BASE  
 W= WIDE BASE  
 THE NEXT XX INDICATES BELT TROUGH ANGLE  
 20= 20 DEGREE TROUGH  
 35= 35 DEGREE TROUGH  
 45= 45 DEGREE TROUGH  
 THE NEXT X INDICATES SKIRTBOARD SECTION LENGTH [FOOT]  
 4= 4 FOOT SECTION  
 6= 6 FOOT SECTION  
 THE NEXT X INDICATES MATERIAL TYPE:  
 T= MILD STEEL  
 S= 304 STAINLESS STEEL  
 F= 316 STAINLESS STEEL  
 THE LAST X INDICATES LINER MATERIAL:  
 1= 304 SS 1/4" THICK  
 2= 304 SS 1/8" THICK  
 3= 304 SS 1/2" THICK  
 4= 316 SS 1/4" THICK  
 5= 316 SS 1/8" THICK  
 6= 316 SS 1/2" THICK  
 7= AR500 1/4" THICK  
 8= AR500 1/8" THICK  
 9= AR500 1/2" THICK  
 A= ARCOPLATE 1/2" THICK  
 B= BOCO 1/2" AR500, 4FT SECTION ONLY

Copyright 2021 Martin Engineering. All rights reserved. Covered by U.S. and foreign patents pending and issued. ® and TM indicate trademarks of Martin Engineering.

MARTIN ENGINEERING  
 NEPONSET, IL USA

DRAWN JRB  
 DATE 05/17/21

CHECKED

ENG. JRB  
 DATE 06/14/21

I.E. JRB  
 DATE 06/23/21

APPROVED JRB  
 DATE 06/29/21

SCALE 1:12

TITLE: STILLING ZONE KITS  
 12 IN STD W/18 IN EXT  
 (4FT & 6FT SECTIONS)

DRAWING NUMBER: CDT1SXXXXXXX

REV A TO NOTES: ADD B= BOCO [1/2" AR500...]; TO ITEM 2 CHART: ADD P/N'S 38481-550S48 & 38481-550B48

DESCRIPTION: 15953 08/11/21 JRB

ECN: DATE: BY:

MATERIAL: SEE NOTES FINISH: WEIGHT:

UNLESS OTHERWISE SPECIFIED TOLERANCES IN MM [INCH]: SURFACE FINISH: 12.5/  
 DIMENSIONS ARE IN MM [INCH] .X = ± .XX = ± .XXX = ±  
 DIMENSIONS FOR REFERENCE ONLY .XXX = ± ANGULAR: ±1 DRAFT ANGLE: -

SOLIDWORKS SUPERCEDES SAME SIZE AND DATE

PR14123B CDT1SXXXXXXX