

PART NUMBER	BELT WIDTH	TROUGH ANGLE	CHUTE WIDTH (INSIDE)	STD BASE		WIDE BASE	
				STRINGER WIDTH	P/N ITEM 4	STRINGER WIDTH	P/N ITEM 4
CDSL18X20XXX	457.2 [18.00]	20	228.6 [9.00]	762.0 [30.00]	CDS1PS104S0X	914.4 [36.00]	CDS1PS104W0X
CDSL18X35XXX	457.2 [18.00]	35	228.6 [9.00]	762.0 [30.00]	CDS1PS104S0X	914.4 [36.00]	CDS1PS104W0X
CDSL18X45XXX	457.2 [18.00]	45	228.6 [9.00]	762.0 [30.00]	CDS1PS104S0X	914.4 [36.00]	CDS1PS104W0X
CDSL24X20XXX	609.6 [24.00]	20	349.3 [13.75]	914.4 [36.00]	CDS1PS104S1X	1066.8 [42.00]	CDS1PS104W1X
CDSL24X35XXX	609.6 [24.00]	35	349.3 [13.75]	914.4 [36.00]	CDS1PS104S1X	1066.8 [42.00]	CDS1PS104W1X
CDSL24X45XXX	609.6 [24.00]	45	349.3 [13.75]	914.4 [36.00]	CDS1PS104S1X	1066.8 [42.00]	CDS1PS104W1X
CDSL30X20XXX	762.0 [30.00]	20	476.3 [18.75]	1066.8 [42.00]	CDS1PS104S1X	1219.2 [48.00]	CDS1PS104W1X
CDSL30X35XXX	762.0 [30.00]	35	476.3 [18.75]	1066.8 [42.00]	CDS1PS104S2X	1219.2 [48.00]	CDS1PS104W2X
CDSL30X45XXX	762.0 [30.00]	45	476.3 [18.75]	1066.8 [42.00]	CDS1PS104S3X	1219.2 [48.00]	CDS1PS104W3X
CDSL36X20XXX	914.4 [36.00]	20	622.3 [24.50]	1219.2 [48.00]	CDS1PS104S1X	1371.6 [54.00]	CDS1PS104W1X
CDSL36X35XXX	914.4 [36.00]	35	622.3 [24.50]	1219.2 [48.00]	CDS1PS104S2X	1371.6 [54.00]	CDS1PS104W2X
CDSL36X45XXX	914.4 [36.00]	45	622.3 [24.50]	1219.2 [48.00]	CDS1PS104S3X	1371.6 [54.00]	CDS1PS104W3X
CDSL42X20XXX	1066.8 [42.00]	20	762.0 [30.00]	1371.6 [54.00]	CDS1PS104S2X	1524.0 [60.00]	CDS1PS104W2X
CDSL42X35XXX	1066.8 [42.00]	35	762.0 [30.00]	1371.6 [54.00]	CDS1PS104S3X	1524.0 [60.00]	CDS1PS104W3X
CDSL42X45XXX	1066.8 [42.00]	45	762.0 [30.00]	1371.6 [54.00]	CDS1PS104S3X	1524.0 [60.00]	CDS1PS104W3X
CDSL48X20XXX	1219.2 [48.00]	20	908.1 [35.75]	1524.0 [60.00]	CDS1PS104S2X	1676.4 [66.00]	CDS1PS104W2X
CDSL48X35XXX	1219.2 [48.00]	35	908.1 [35.75]	1524.0 [60.00]	CDS1PS104S3X	1676.4 [66.00]	CDS1PS104W3X
CDSL48X45XXX	1219.2 [48.00]	45	908.1 [35.75]	1524.0 [60.00]	CDS1PS104S3X	1676.4 [66.00]	CDS1PS104W3X
CDSL54X20XXX	1371.6 [54.00]	20	1054.1 [41.50]	1676.4 [66.00]	CDS1PS104S5X	1828.8 [72.00]	CDS1PS104W5X
CDSL54X35XXX	1371.6 [54.00]	35	1054.1 [41.50]	1676.4 [66.00]	CDS1PS104S6X	1828.8 [72.00]	CDS1PS104W6X
CDSL54X45XXX	1371.6 [54.00]	45	1054.1 [41.50]	1676.4 [66.00]	CDS1PS104S7X	1828.8 [72.00]	CDS1PS104W7X
CDSL60X20XXX	1524.0 [60.00]	20	1200.2 [47.25]	1828.8 [72.00]	CDS1PS104S5X	1981.2 [78.00]	CDS1PS104W5X
CDSL60X35XXX	1524.0 [60.00]	35	1104.9 [43.50]	1828.8 [72.00]	CDS1PS104S6X	1981.2 [78.00]	CDS1PS104W6X
CDSL60X45XXX	1524.0 [60.00]	45	1104.9 [43.50]	1828.8 [72.00]	CDS1PS104S7X	1981.2 [78.00]	CDS1PS104W7X
CDSL72X20XXX	1828.8 [72.00]	20	1498.6 [59.00]	2133.6 [84.00]	CDS1PS104S5X	2286.0 [90.00]	CDS1PS104W5X
CDSL72X35XXX	1828.8 [72.00]	35	1380.0 [54.25]	2133.6 [84.00]	CDS1PS104S7X	2286.0 [90.00]	CDS1PS104W7X
CDSL72X45XXX	1828.8 [72.00]	45	1270.0 [50.00]	2133.6 [84.00]	CDS1PS104S8X	2286.0 [90.00]	CDS1PS104W8X

ITEM 1: CHUTE WALL	
PART NUMBER	LENGTH
37548-4EWLX	1219.2 [48.00]
37548-6EWLX	1828.8 [72.00]

*"X" IN PART NUMBER INDICATES MATERIAL:
 BLANK = MILD STEEL, GRAY PAINT
 S = 304 STAINLESS STEEL
 C = 316 STAINLESS STEEL

ITEM 2: WEARLINER				
PART NUMBER	LENGTH	THICKNESS	MATERIAL	
39429-S2SL	1828.8 [72.00]	6.4 [.25]	AR500	
39429-S2SL48	1219.2 [48.00]	6.4 [.25]	AR500	
39429-S38L	1828.8 [72.00]	9.5 [.38]	AR500	
39429-S38L48	1219.2 [48.00]	9.5 [.38]	AR500	
39429-S50L	1828.8 [72.00]	12.7 [5.0]	AR500	
39429-S50L48	1219.2 [48.00]	12.7 [5.0]	AR500	
39429-C38L	1828.8 [72.00]	9.5 [.38]	304 SS	
39429-C38L48	1219.2 [48.00]	9.5 [.38]	304 SS	
39429-C50L	1828.8 [72.00]	12.7 [5.0]	304 SS	
39429-C50L48	1219.2 [48.00]	12.7 [5.0]	304 SS	
39429-S38L	1828.8 [72.00]	9.5 [.38]	316 SS	
39429-S38L48	1219.2 [48.00]	9.5 [.38]	316 SS	
39429-S50L	1828.8 [72.00]	12.7 [5.0]	316 SS	
39429-S50L48	1219.2 [48.00]	12.7 [5.0]	316 SS	
39429-A50L	1828.8 [72.00]	12.7 [5.0]	ARCOPLATE	
39429-A50L48	1219.2 [48.00]	12.7 [5.0]	ARCOPLATE	

P/N INCLUDES SEAL CLAMPS AND HARDWARE
 REFERENCE THE FOLLOWING DRAWINGS FOR P/N BREAKDOWNS:
 39429-XXXX
 39429-XXXXL8

ITEM 3: SUPPORT LEG MOUNT BRACKET	
P/N	CDS1PS1011X
*"X" IN THE PART NUMBER INDICATES MATERIAL: T = MILD STEEL, GRAY PAINT S = 304 STAINLESS STEEL F = 316 STAINLESS STEEL	

ITEM 4: SUPPORT LEG	
P/N	CDS1PS104XXX
FIRST "XX" INDICATES STRINGER WIDTH & BRACKET LENGTH: SX = STANDARD BASE STRINGER WIDTH WX = WIDE BASE STRINGER WIDTH LAST "X" INDICATES MATERIAL: S = MILD STEEL, GRAY PAINT C = 304 STAINLESS STEEL F = 316 STAINLESS STEEL	

ITEM 5 & 6: DUST CURTAIN KIT	
CDS1K0XXXXX	SLIT
CDS1K1XXXXX	SOLID
FIRST "XX" INDICATES BELT WIDTH [INCHES] NEXT "XX" INDICATES TROUGH ANGLE (18 & 24 BW WILL SHOW 00 FOR TROUGH ANGLE) LAST "X" INDICATES BRACKET & HARDWARE MATERIAL: T = MILD STEEL, GRAY PAINT S = 304 STAINLESS STEEL F = 316 STAINLESS STEEL INCLUDES QTY 1 OF 37564-XXXXX [INNER SUPPORT]	

ITEM 7: FLAT COVER	
PART NUMBER	LENGTH
37555-XXXXC2X	609.6 [24.00]

FIRST "XX" INDICATES BELT WIDTH [INCHES]
 NEXT "XX" INDICATES TROUGH ANGLE
 LAST "X" INDICATES MATERIAL:
 BLANK = MILD STEEL, GRAY PAINT
 S = 304 STAINLESS STEEL
 C = 316 STAINLESS STEEL

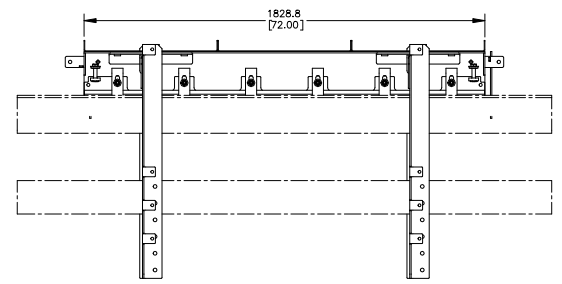
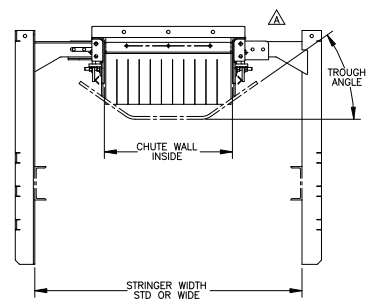
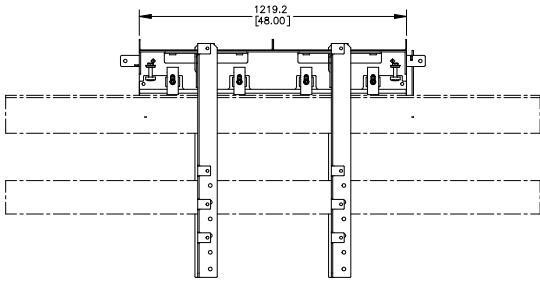
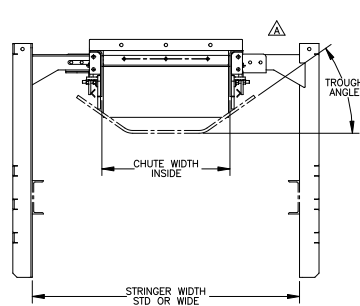
ITEM 8: INSTALLATION HARDWARE	
P/N	CDSHDWXX
*"X" IN THE PART NUMBER INDICATES MATERIAL: S = 304 STAINLESS STEEL F = 316 STAINLESS STEEL	

ITEM	QTY.	DESCRIPTION	PART NUMBER
1	2	CHUTE WALL WELDMENT	SEE CHART
2	2	WEARLINER ASSEMBLY	SEE CHART
3	4	SUPPORT LEG MOUNT BRACKET	SEE CHART
4	4	SUPPORT LEG WELDMENT	SEE CHART
5	1	DUST CURTAIN KIT - SOLID	SEE CHART
6	1	DUST CURTAIN KIT - SLIT	SEE CHART
7	S/C	TOP FLAT COVER	SEE CHART
8	1	INSTALLATION HARDWARE	SEE CHART

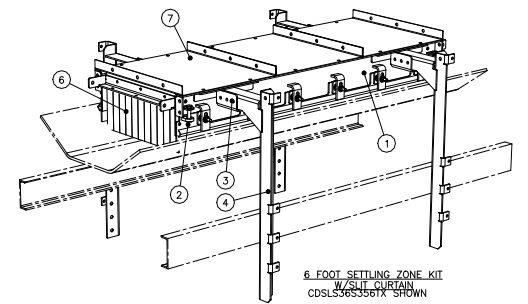
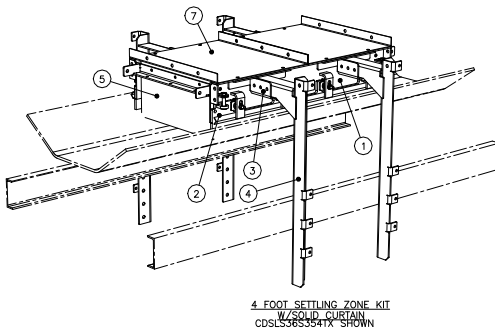
NS = NOT SHOWN
 S/C = SEE CHART

PART NUMBER	QTY.	ITEM 7
CDSLXXXX4XX	2	
CDSLXXXX6XX	3	

* FOR BELT WIDTHS 18"-36", FREE BELT AREA= 101.6 [4.00]
 * FOR BELT WIDTHS 36" AND LARGER, FREE BELT AREA= 143.0 [5.63]
 * REFER TO L3636 FOR APPLICABLE COMPATIBILITY



NOTES:
 * "CDSL" IN PART NUMBER INDICATES LOW PROFILE HEIGHT SKIRTBOARDS
 * THE NEXT "SXX" INDICATES BELT WIDTH IN INCHES
 * EXAMPLE:
 S24 = 24" BELT WIDTH
 S48 = 48" BELT WIDTH
 S = STANDARD BASE
 W = WIDE BASE
 THE NEXT "XX" INDICATES BELT TROUGH ANGLE
 20 = 20 DEGREE TROUGH
 30 = 30 DEGREE TROUGH
 45 = 45 DEGREE TROUGH
 THE NEXT "X" INDICATES SKIRTBOARD SECTION LENGTH [FOOT]
 6 = 4 FOOT SECTION
 6 = 6 FOOT SECTION
 THE NEXT "X" INDICATES MATERIAL TYPE:
 S = MILD STEEL
 C = 304 STAINLESS STEEL
 F = 316 STAINLESS STEEL
 THE LAST "X" INDICATES LINER MATERIAL:
 1 = 304 SS 1/8" THICK
 2 = 304 SS 1/4" THICK
 3 = 304 SS 1/2" THICK
 4 = 316 SS 1/4" THICK
 5 = 316 SS 1/2" THICK
 6 = 316 SS 1/2" THICK
 7 = AR500 1/4" THICK
 8 = AR500 1/2" THICK
 9 = AR500 1/2" THICK
 ADD AN L TO THE END OF THE PART NUMBER FOR LESS TOP COVERS.



© Copyright 2023 Martin Engineering. All rights reserved. Covered by U.S. and foreign patents pending and issued. ® and TM indicate trademarks of Martin Engineering.

REV	DESCRIPTION	ECN	DATE	BY
B	CHG P/N FROM 37548-NEW TO 37548-NEW IN BOM	16587	06/11/24	JAH
A	CHG P/N 37554-84XX-1100 TO 37554-84XX-1100 IN CDS1PS1011X & CDS1PS104XX P/N 37555-XXXXC & 37555-XXXXC2X TO CDS1PS104SXX & CDS1PS104SXX P/N 37555-XXXXC & CDS1PS104SXX TO CDS1PS104SXX IN CDS1PS104SXX & CDS1PS104SXX TO CDS1PS104SXX IN CDS1PS104SXX	16473	03/12/24	JAH

MATERIAL: - FINISH: - WEIGHT: -
 UNLESS OTHERWISE SPECIFIED TOLERANCES IN MM [INCH]: SURFACE FINISH: ANGLUAR: ±1
 DIMENSIONS ARE IN MM [INCH] .XX = ±. X = ±. DRAFT ANGLE: -
 DIMENSIONS FOR REFERENCE ONLY .XXX = ±.

TITLE	DRAWING NUMBER	ENGR.	DATE
10 IN. TALL SETTLING ZONE KITS (4FT & 6 FT SECTIONS)	PR14439	JAH	03/17/23
APPROVED		JAH	03/28/23
SCALE			1:12

DRAWING NUMBER: PR14439
 PART NUMBER: CDSLXXXXXXX