

PART NUMBER	BELT WIDTH	TROUGH ANGLE	CHUTE WIDTH (INSIDE)	STRINGER WIDTH	
				STD BASE	WIDE BASE
CDS2S18X20XXX	457.2 [18.00]	20	228.6 [9.00]	762.0 [30.00]	914.4 [36.00]
CDS2S18X35XXX	457.2 [18.00]	35	228.6 [9.00]	762.0 [30.00]	914.4 [36.00]
CDS2S18X45XXX	457.2 [18.00]	45	228.6 [9.00]	762.0 [30.00]	914.4 [36.00]
CDS2S24X20XXX	609.6 [24.00]	20	349.3 [13.75]	914.4 [36.00]	1066.8 [42.00]
CDS2S24X35XXX	609.6 [24.00]	35	349.3 [13.75]	914.4 [36.00]	1066.8 [42.00]
CDS2S24X45XXX	609.6 [24.00]	45	349.3 [13.75]	914.4 [36.00]	1066.8 [42.00]
CDS2S30X20XXX	762.0 [30.00]	20	476.3 [18.75]	1066.8 [42.00]	1219.2 [48.00]
CDS2S30X35XXX	762.0 [30.00]	35	444.5 [17.50]	1066.8 [42.00]	1219.2 [48.00]
CDS2S30X45XXX	762.0 [30.00]	45	416.1 [16.38]	1066.8 [42.00]	1219.2 [48.00]
CDS2S36X20XXX	914.4 [36.00]	20	622.3 [24.50]	1219.2 [48.00]	1371.6 [54.00]
CDS2S36X35XXX	914.4 [36.00]	35	584.2 [23.00]	1219.2 [48.00]	1371.6 [54.00]
CDS2S36X45XXX	914.4 [36.00]	45	539.8 [21.25]	1219.2 [48.00]	1371.6 [54.00]
CDS2S42X20XXX	1066.8 [42.00]	20	762.0 [30.00]	1371.6 [54.00]	1524.0 [60.00]
CDS2S42X35XXX	1066.8 [42.00]	35	704.9 [27.75]	1371.6 [54.00]	1524.0 [60.00]
CDS2S42X45XXX	1066.8 [42.00]	45	647.7 [25.50]	1371.6 [54.00]	1524.0 [60.00]
CDS2S48X20XXX	1219.2 [48.00]	20	908.1 [35.75]	1524.0 [60.00]	1676.4 [66.00]
CDS2S48X35XXX	1219.2 [48.00]	35	838.2 [33.00]	1524.0 [60.00]	1676.4 [66.00]
CDS2S48X45XXX	1219.2 [48.00]	45	768.4 [30.25]	1524.0 [60.00]	1676.4 [66.00]
CDS2S54X20XXX	1371.6 [54.00]	20	1054.1 [41.50]	1676.4 [66.00]	1828.8 [72.00]
CDS2S54X35XXX	1371.6 [54.00]	35	971.6 [38.25]	1676.4 [66.00]	1828.8 [72.00]
CDS2S54X45XXX	1371.6 [54.00]	45	895.4 [35.25]	1676.4 [66.00]	1828.8 [72.00]
CDS2S60X20XXX	1524.0 [60.00]	20	1200.2 [47.25]	1828.8 [72.00]	1981.2 [78.00]
CDS2S60X35XXX	1524.0 [60.00]	35	1104.9 [43.50]	1828.8 [72.00]	1981.2 [78.00]
CDS2S60X45XXX	1524.0 [60.00]	45	1016.0 [40.00]	1828.8 [72.00]	1981.2 [78.00]
CDS2S72X20XXX	1828.8 [72.00]	20	1498.6 [59.00]	2133.6 [84.00]	2286.0 [90.00]
CDS2S72X35XXX	1828.8 [72.00]	35	1380.0 [54.25]	2133.6 [84.00]	2286.0 [90.00]
CDS2S72X45XXX	1828.8 [72.00]	45	1270.0 [50.00]	2133.6 [84.00]	2286.0 [90.00]

ITEM 2: WEARLINER			
PART NO.	LENGTH	THICKNESS	MATERIAL
38481-525S	1828.8 [72.00]	6.4 [25]	AR 500
38481-525S48	1219.2 [48.00]	6.4 [25]	AR 500
38481-538S	1828.8 [72.00]	9.5 [38]	AR 500
38481-538S48	1219.2 [48.00]	9.5 [38]	AR 500
38481-550S	1828.8 [72.00]	12.7 [50]	AR 500
38481-550S48	1219.2 [48.00]	12.7 [50]	AR 500
38481-550S48	1219.2 [48.00]	12.7 [50]	AR 500
38481-C38S	1828.8 [72.00]	9.5 [38]	304 SS
38481-C38S48	1219.2 [48.00]	9.5 [38]	304 SS
38481-C50S	1828.8 [72.00]	12.7 [50]	304 SS
38481-C50S48	1219.2 [48.00]	12.7 [50]	304 SS
38481-S38S	1828.8 [72.00]	9.5 [38]	316 SS
38481-S38S48	1219.2 [48.00]	9.5 [38]	316 SS
38481-S50S	1828.8 [72.00]	12.7 [50]	316 SS
38481-S50S48	1219.2 [48.00]	12.7 [50]	316 SS
38481-A50S	1828.8 [72.00]	12.7 [50]	ARCOPLATE
38481-A50S48	1219.2 [48.00]	12.7 [50]	ARCOPLATE
38481-A50B48	1219.2 [48.00]	12.7 [50]	ARCOPLATE

P/N INCLUDES SEAL CLAMPS AND HARDWARE

ITEM 1: CHUTEWALL	
PART NO.	LENGTH
37548-4EW18X	1219.2 [48.00]
37548-6EW18X	1828.8 [72.00]

ITEM 7: TOP FLAT COVERS	
PART NO.	LENGTH
37555-XXXXCX	1219.2 [48.00]
37555-XXXXC6X	1828.8 [72.00]

FIRST XX INDICATES BELT WIDTH [INCHES]
NEXT XX INDICATES TROUGH ANGLE
LAST X INDICATES MATERIAL:
BLANK= MILD STEEL, GRAY PAINT
T= ZINC PLATED
S= 304 STAINLESS STEEL
F= 316 STAINLESS STEEL

ITEM 8: INSTALLATION HARDWARE	
PART NO.	SKIRTBOARD LENGTH
CDS2H4XXX	1219.2 [48.00]
CDS2H6XXX	1828.8 [72.00]

FIRST XX INDICATES BELT WIDTH [INCHES]
LAST X INDICATES MATERIAL:
T= ZINC PLATED
S= 304 STAINLESS STEEL
F= 316 STAINLESS STEEL

ITEM 3&4: OUTER SUPPORTS		
BELT WIDTH	STANDARD BASE	WIDE BASE
457.2 [18.00]-1066.8 [42.00]	37554-R1SX 37554-L1SX	37554-R1WX 37554-L1WX
1219.2 [48.00]-1828.8 [72.00]	37554-R2SX 37554-L2SX	37554-R2WX 37554-L2WX

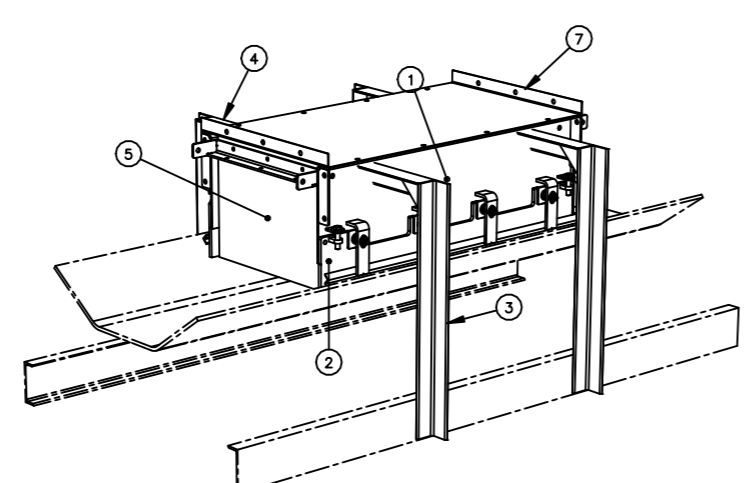
X IN PART NUMBER INDICATES MATERIAL:
BLANK= MILD STEEL, GRAY PAINT
C= 304 STAINLESS STEEL
S= 316 STAINLESS STEEL
** SUPPORTS ARE LONGER THAN REQUIRED, FIELD TRIM TO DESIRED LENGTH**

ITEM	QTY	DESCRIPTION	PART NUMBER
1	2	CHUTEWALL WELDMENT	SEE CHART
2	2	WEARLINER ASSEMBLY	SEE CHART
3	2	OUTER CHUTE SUPPORT-RT	SEE CHART
4	2	OUTER CHUTE SUPPORT-LT	SEE CHART
5	1	DUST CURTAIN KIT-SOLID	SEE CHART
6	1	DUST CURTAIN KIT-SLIT	SEE CHART
7	1	TOP FLAT COVER	SEE CHART
8	1	INSTALLATION HARDWARE	SEE CHART

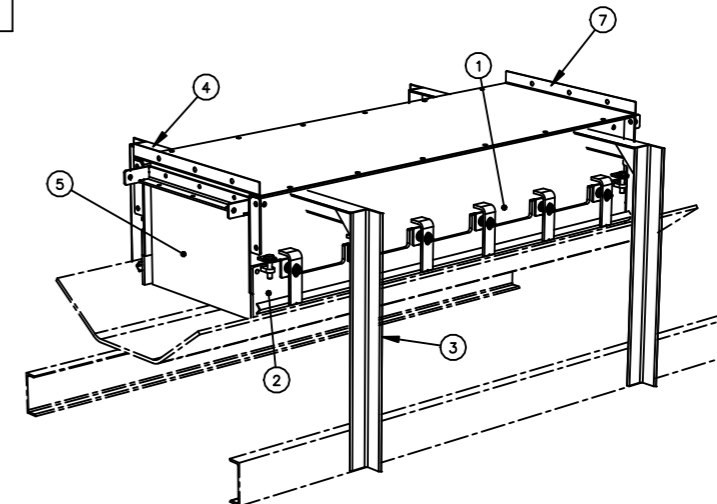
NS=NOT SHOWN

ITEM 5&6: DUST CURTAIN KIT	
PART NO.	TYPE
CDS2K0XXXXX	SLIT
CDS2K1XXXXX	SOLID

FIRST XX INDICATES BELT WIDTH [INCHES]
NEXT XX INDICATES TROUGH ANGLE
LAST X INDICATES BRACKET & HARDWARE MATERIAL:
T= MILD STEEL, GRAY PAINT
S= 304 STAINLESS STEEL
F= 316 STAINLESS STEEL
INCLUDES QTY 1 OF 37564-XXXXX [INNER SUPPORT]

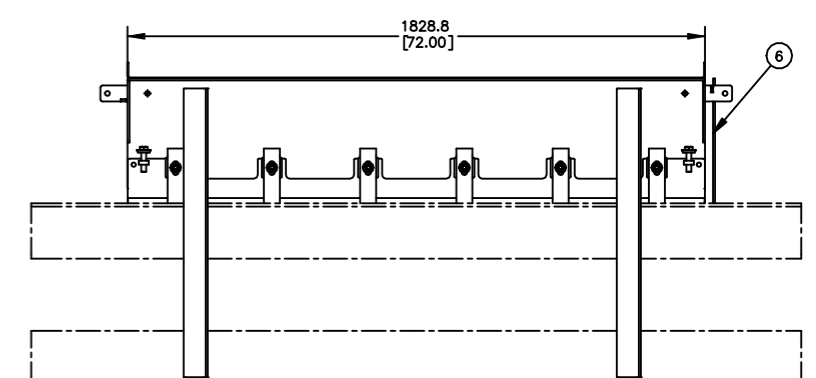
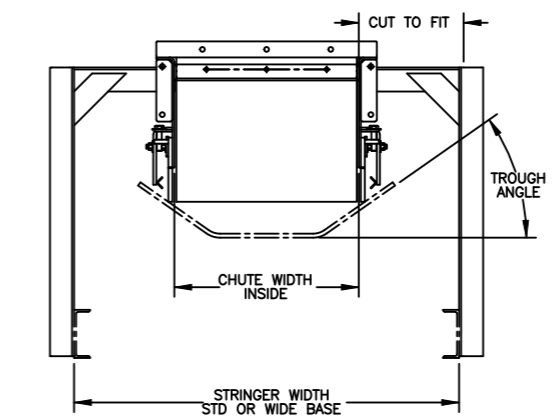
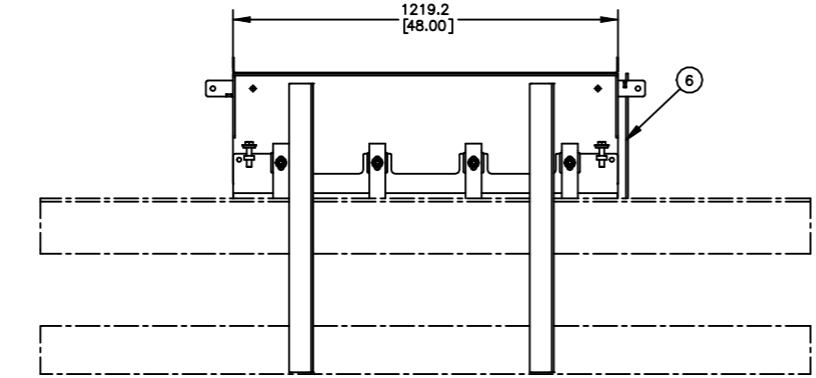
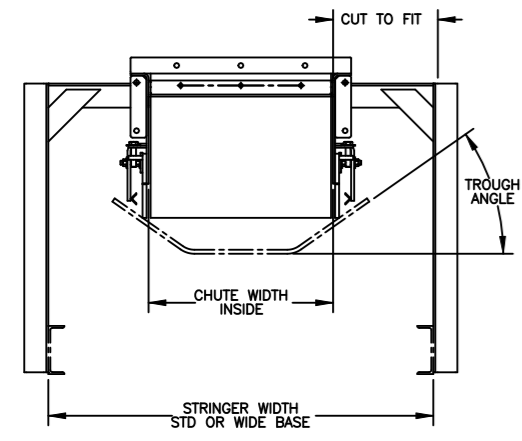


4 FOOT SETTLING ZONE KIT
CDS2S36S3541X SHOWN



6 FOOT SETTLING ZONE KIT
CDS2S36S3561X SHOWN

* FOR BELT WIDTHS 18"-36": FREE BELT AREA= 101.6 [4.00]
* FOR BELT WIDTHS 42" AND LARGER: FREE BELT AREA= 143.0 [5.63]
* REFER TO L3636 FOR APRONS&AL COMPATIBILITY



NOTES:
THE "CDS2" IN PART NUMBER INDICATES STANDARD EXTENDED HEIGHT SKIRTBOARDS
THE NEXT SXX INDICATES BELT WIDTH IN INCHES
EXAMPLE:
S24= 24" BELT WIDTH
S48= 48" BELT WIDTH
THE NEXT X INDICATES STRINGER WIDTH
S= STANDARD BASE
W= WIDE BASE
THE NEXT XX INDICATES BELT TROUGH ANGLE
20= 20 DEGREE TROUGH
35= 35 DEGREE TROUGH
45= 45 DEGREE TROUGH
THE NEXT X INDICATES SKIRTBOARD SECTION LENGTH [FOOT]
4= 4 FOOT SECTION
6= 6 FOOT SECTION
THE NEXT X INDICATES MATERIAL TYPE:
T= MILD STEEL
S= 304 STAINLESS STEEL
F= 316 STAINLESS STEEL
THE LAST X INDICATES LINER MATERIAL:
1= 304 SS 1/4" THICK
2= 304 SS 3/8" THICK
3= 304 SS 1/2" THICK
4= 316 SS 1/4" THICK
5= 316 SS 3/8" THICK
6= 316 SS 1/2" THICK
7= AR500 1/4" THICK
8= AR500 3/8" THICK
9= AR500 1/2" THICK
A= ARCOPLATE [1/2" THICK]
B= BOCO 1/2" AR500, 4FT SECTION ONLY
ADD AN "L" TO END OF PART NUMBER FOR LESS TOP COVERS.

© Copyright 2021 Martin Engineering. All rights reserved. Covered by U.S. and foreign patents pending and issued. ® and TM indicate trademarks of Martin Engineering.

MARTIN ENGINEERING
NEPONSET, IL USA

DRAWN JRB
DATE 10/25/21
CHECKED
ENG. JAR
DATE 11/15/21
I.E. JRB
DATE 03/18/22
APPROVED JAR
DATE 03/18/22

TITLE
18 IN. TALL SETTLING ZONE KITS
(4FT & 6 FT SECTIONS)

DRAWING NUMBER
PR14212 CDS2SXXXXXXX

SCALE 1:12

REV	DESCRIPTION	ECN	DATE	BY
MATERIAL:	FINISH: -	WEIGHT: -		
UNLESS OTHERWISE SPECIFIED TOLERANCES IN MM [INCH]: SURFACE FINISH: 12.5/ DIMENSIONS ARE IN MM [INCH] .XX = ±- ANGULAR: ±1 DIMENSIONS FOR REFERENCE ONLY .XXX = ±- DRAFT ANGLE: -				