

PART NUMBER	BELT WIDTH	TROUGH ANGLE	CHUTE WIDTH (INSIDE)	STD BASE		WIDE BASE	
				STRINGER WIDTH	P/N ITEM 4	STRINGER WIDTH	P/N ITEM 4
CDLLS18X20XXX	457.2 [18.00]	20	228.6 [9.00]	762.0 [30.00]	CDS1PS104S0X	914.4 [36.00]	CDS1PS104W0X
CDLLS18X35XXX	457.2 [18.00]	35	228.6 [9.00]	762.0 [30.00]	CDS1PS104S0X	914.4 [36.00]	CDS1PS104W0X
CDLLS18X45XXX	457.2 [18.00]	45	228.6 [9.00]	762.0 [30.00]	CDS1PS104S0X	914.4 [36.00]	CDS1PS104W0X
CDLLS24X20XXX	609.6 [24.00]	20	349.3 [13.75]	914.4 [36.00]	CDS1PS104S1X	1066.8 [42.00]	CDS1PS104W1X
CDLLS24X35XXX	609.6 [24.00]	35	349.3 [13.75]	914.4 [36.00]	CDS1PS104S1X	1066.8 [42.00]	CDS1PS104W1X
CDLLS24X45XXX	609.6 [24.00]	45	349.3 [13.75]	914.4 [36.00]	CDS1PS104S1X	1066.8 [42.00]	CDS1PS104W1X
CDLLS30X20XXX	762.0 [30.00]	20	476.3 [18.75]	1066.8 [42.00]	CDS1PS104S1X	1219.2 [48.00]	CDS1PS104W1X
CDLLS30X35XXX	762.0 [30.00]	35	476.3 [18.75]	1066.8 [42.00]	CDS1PS104S2X	1219.2 [48.00]	CDS1PS104W2X
CDLLS30X45XXX	762.0 [30.00]	45	476.3 [18.75]	1066.8 [42.00]	CDS1PS104S3X	1219.2 [48.00]	CDS1PS104W3X
CDLLS36X20XXX	914.4 [36.00]	20	622.3 [24.50]	1219.2 [48.00]	CDS1PS104S2X	1371.6 [54.00]	CDS1PS104W1X
CDLLS36X35XXX	914.4 [36.00]	35	622.3 [24.50]	1219.2 [48.00]	CDS1PS104S3X	1371.6 [54.00]	CDS1PS104W2X
CDLLS36X45XXX	914.4 [36.00]	45	622.3 [24.50]	1219.2 [48.00]	CDS1PS104S3X	1371.6 [54.00]	CDS1PS104W3X
CDLLS42X20XXX	1066.8 [42.00]	20	762.0 [30.00]	1371.6 [54.00]	CDS1PS104S2X	1524.0 [60.00]	CDS1PS104W2X
CDLLS42X35XXX	1066.8 [42.00]	35	762.0 [30.00]	1371.6 [54.00]	CDS1PS104S3X	1524.0 [60.00]	CDS1PS104W3X
CDLLS42X45XXX	1066.8 [42.00]	45	762.0 [30.00]	1371.6 [54.00]	CDS1PS104S3X	1524.0 [60.00]	CDS1PS104W3X
CDLLS48X20XXX	1219.2 [48.00]	20	908.1 [35.75]	1524.0 [60.00]	CDS1PS104S2X	1676.4 [66.00]	CDS1PS104W2X
CDLLS48X35XXX	1219.2 [48.00]	35	908.1 [35.75]	1524.0 [60.00]	CDS1PS104S3X	1676.4 [66.00]	CDS1PS104W3X
CDLLS48X45XXX	1219.2 [48.00]	45	908.1 [35.75]	1524.0 [60.00]	CDS1PS104S4X	1676.4 [66.00]	CDS1PS104W4X
CDLLS54X20XXX	1371.6 [54.00]	20	1054.1 [41.50]	1676.4 [66.00]	CDS1PS104S5X	1828.8 [72.00]	CDS1PS104W5X
CDLLS54X35XXX	1371.6 [54.00]	35	1054.1 [41.50]	1676.4 [66.00]	CDS1PS104S6X	1828.8 [72.00]	CDS1PS104W6X
CDLLS54X45XXX	1371.6 [54.00]	45	1054.1 [41.50]	1676.4 [66.00]	CDS1PS104S7X	1828.8 [72.00]	CDS1PS104W7X
CDLLS60X20XXX	1524.0 [60.00]	20	1200.2 [47.25]	1828.8 [72.00]	CDS1PS104S5X	1981.2 [78.00]	CDS1PS104W5X
CDLLS60X35XXX	1524.0 [60.00]	35	1200.2 [47.25]	1828.8 [72.00]	CDS1PS104S6X	1981.2 [78.00]	CDS1PS104W6X
CDLLS60X45XXX	1524.0 [60.00]	45	1200.2 [47.25]	1828.8 [72.00]	CDS1PS104S7X	1981.2 [78.00]	CDS1PS104W7X
CDLLS72X20XXX	1828.8 [72.00]	20	1498.6 [59.00]	2133.6 [84.00]	CDS1PS104S5X	2286.0 [90.00]	CDS1PS104W5X
CDLLS72X35XXX	1828.8 [72.00]	35	1380.0 [54.25]	2133.6 [84.00]	CDS1PS104S7X	2286.0 [90.00]	CDS1PS104W7X
CDLLS72X45XXX	1828.8 [72.00]	45	1270.0 [50.00]	2133.6 [84.00]	CDS1PS104S8X	2286.0 [90.00]	CDS1PS104W8X

ITEM 1: CHUTEWALL

PART NUMBER	LENGTH
37548-4EWLX	1219.2 [48.00]
37548-6EWLX	1828.8 [72.00]

"X" IN PART NUMBER INDICATES MATERIAL:
 BLANK = MILD STEEL, GRAY PAINT
 C = 304 STAINLESS STEEL
 S = 316 STAINLESS STEEL

ITEM 2: WEARLINER

PART NUMBER	LENGTH	THICKNESS	MATERIAL
39429-525L	1828.8 [72.00]	6.4 [.25]	AR500
39429-525L48	1219.2 [48.00]	6.4 [.25]	AR500
39429-538L	1828.8 [72.00]	9.5 [.38]	AR500
39429-538L48	1219.2 [48.00]	9.5 [.38]	AR500
39429-550L	1828.8 [72.00]	12.7 [.50]	AR500
39429-550L48	1219.2 [48.00]	12.7 [.50]	AR500
39429-C38L	1828.8 [72.00]	9.5 [.38]	304 SS
39429-C38L48	1219.2 [48.00]	9.5 [.38]	304 SS
39429-C50L	1828.8 [72.00]	12.7 [.50]	304 SS
39429-C50L48	1219.2 [48.00]	12.7 [.50]	304 SS
39429-S38L	1828.8 [72.00]	9.5 [.38]	316 SS
39429-S38L48	1219.2 [48.00]	9.5 [.38]	316 SS
39429-S50L	1828.8 [72.00]	12.7 [.50]	316 SS
39429-S50L48	1219.2 [48.00]	12.7 [.50]	316 SS
39429-A50L	1828.8 [72.00]	12.7 [.50]	ARCOPLATE
39429-A50L48	1219.2 [48.00]	12.7 [.50]	ARCOPLATE

P/N INCLUDES SEAL CLAMPS AND HARDWARE
 39429-XXXX

ITEM 3: SUPPORT LEG MOUNT BRACKET

P/N CDS1PS1011X
"X" IN THE PART NUMBER INDICATES MATERIAL: T = MILD STEEL, GRAY PAINT S = 304 STAINLESS STEEL F = 316 STAINLESS STEEL

ITEM 4: SUPPORT LEG

P/N CDS1PS104XXX
FIRST "XX" INDICATES STRINGER WIDTH & BRACKET LENGTH: SX = STANDARD STRINGER WIDTH W = WIDE BASE STRINGER WIDTH LAST "X" INDICATES MATERIAL: T = MILD STEEL, GRAY PAINT S = 304 STAINLESS STEEL F = 316 STAINLESS STEEL

ITEM 5: TAIL COVER

PART NUMBER	LENGTH
37555-XXXXT2X	609.6 [24.00]

FIRST "XX" INDICATES BELT WIDTH [INCHES]
 NEXT "XX" INDICATES TROUGH ANGLE
 LAST "X" INDICATES MATERIAL:
 BLANK = MILD STEEL, GRAY PAINT
 C = 304 STAINLESS STEEL
 S = 316 STAINLESS STEEL

ITEM 6: TAIL PANEL

P/N 37550-LPXXXX
FIRST "XX" INDICATES BELT WIDTH [INCHES] NEXT "XX" INDICATES TROUGH ANGLE LAST "X" INDICATES MATERIAL: BLANK = MILD STEEL, GRAY PAINT C = 304 STAINLESS STEEL S = 316 STAINLESS STEEL

ITEM 7: TAIL PANEL CLAMP

P/N 33262-XXXXX
FIRST "XX" INDICATES BELT WIDTH [INCHES] NEXT "XX" INDICATES TROUGH ANGLE LAST "X" INDICATES MATERIAL: BLANK = MILD STEEL, GRAY PAINT C = 304 STAINLESS STEEL S = 316 STAINLESS STEEL

ITEM 8: TAIL PANEL RUBBER SHEET

PART NUMBER	LENGTH
37881-18	355.6 [14.00]
37881-24	508.0 [20.00]
37881-30	660.4 [26.00]
37881-36	812.8 [32.00]
37881-42	965.2 [38.00]
37881-48	1117.6 [44.00]
37881-54	1270.0 [50.00]
37881-60	1422.4 [56.00]
37881-72	1727.2 [68.00]

TRIM SHEET TO FIT INSIDE CHUTE

ITEM 9: WEARLINER PLATE

PART NUMBER	LENGTH
WL-08007200050X	1828.8 [72.00]
WL-08004800050X	1219.2 [48.00]
WL-08007200038X	1828.8 [72.00]
WL-08004800038X	1219.2 [48.00]
WL-08007200025X	1828.8 [72.00]
WL-08004800025X	1219.2 [48.00]

THE "X" INDICATES THE WEARLINER MATERIAL:
 S = AR 500 STEEL
 C = 304 STAINLESS STEEL
 A = ARCOPLATE

ITEM 10: INSTALLATION HARDWARE

P/N CDLHDWX
"X" IN THE PART NUMBER INDICATES MATERIAL: T = ZINC PLATED S = 304 STAINLESS STEEL F = 316 STAINLESS STEEL

ITEM 11: TAIL COVER

ITEM 8 QTY.	DESCRIPTION	PART NUMBER
1	CHUTEWALL WELDMENT	SEE CHART
2	WEARLINER ASSEMBLY	SEE CHART
3	SUPPORT LEG MOUNT BRACKET	SEE CHART
4	SUPPORT LEG WELDMENT	SEE CHART
5	TAIL COVER	SEE CHART
6	TAIL PANEL WELDMENT	SEE CHART
7	TAIL PANEL CLAMP	SEE CHART
8	TAIL PANEL RUBBER SHEET	SEE CHART
9	WEARLINER PLATE	SEE CHART
10	INSTALLATION HARDWARE	SEE CHART
11	MANUAL OPERATORS	M4170
12	S/C FLAT COVER	SEE CHART
13	INNER CHUTE SUPPORT	SEE CHART

NS = NOT SHOWN
 S/C = SEE CHART

PART NUMBER	QTY.	ITEM 12
CDLLSXXXX4XX	1	
CDLLSXXXX6XX	2	

ITEM 12: FLAT COVER

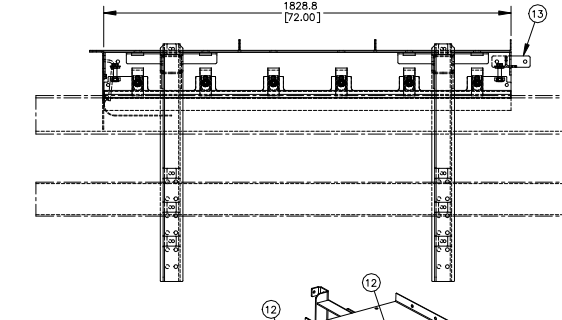
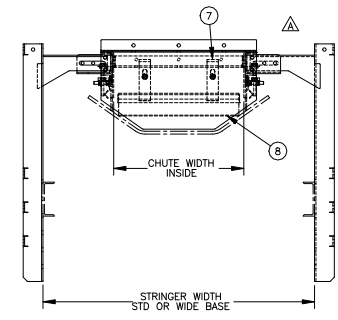
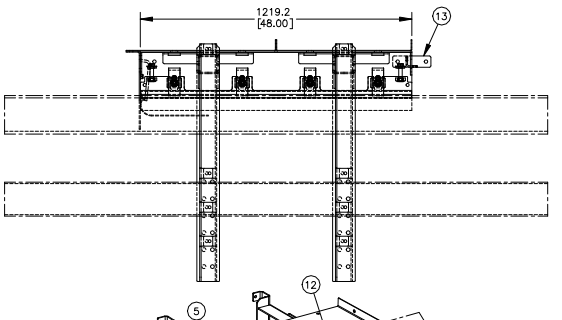
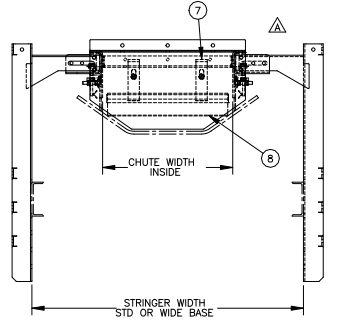
PART NUMBER	LENGTH
37555-XXXXC2X	609.6 [24.00]

FIRST "XX" INDICATES BELT WIDTH [INCHES]
 NEXT "XX" INDICATES TROUGH ANGLE
 LAST "X" INDICATES MATERIAL:
 BLANK = MILD STEEL, GRAY PAINT
 C = 304 STAINLESS STEEL
 S = 316 STAINLESS STEEL

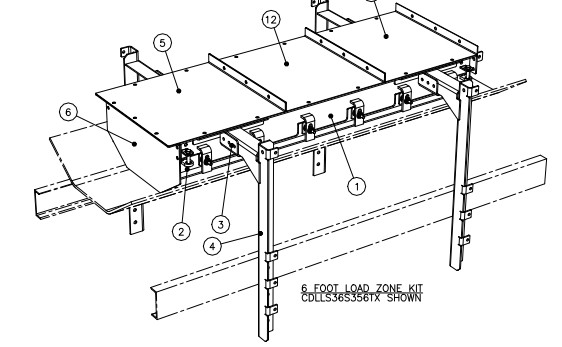
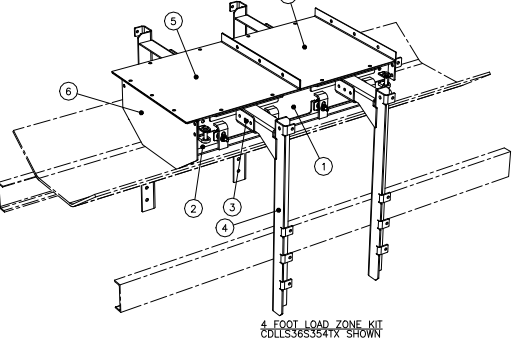
ITEM 13: INNER CHUTE SUPPORT

P/N 37564-XXXXX
FIRST "XX" INDICATES BELT WIDTH [INCHES] NEXT "XX" INDICATES TROUGH ANGLE LAST "X" INDICATES MATERIAL: BLANK = MILD STEEL, GRAY PAINT C = 304 STAINLESS STEEL S = 316 STAINLESS STEEL

* FOR BELT WIDTHS 18"-36": FREE BELT AREA= 101.6 [4.00]
 * FOR BELT WIDTHS 42" AND LARGER: FREE BELT AREA= 143.0 [5.63]
 * REFER TO 1336E FOR AIRFLOW COMPATIBILITY



NOTES:
 THE "CDLL" IN PART NUMBER INDICATES LOW PROFILE HEIGHT LOAD ZONE
 THE NEXT "SXXX" INDICATES BELT WIDTH IN INCHES
 EXAMPLE:
 S24= 24" BELT WIDTH
 S36= 36" BELT WIDTH
 THE NEXT "XX" INDICATES STRINGER WIDTH
 S = STANDARD BASE
 W = WIDE BASE
 THE NEXT "XX" INDICATES BELT TROUGH ANGLE
 35 = 35 DEGREE TROUGH
 45 = 45 DEGREE TROUGH
 THE NEXT "X" INDICATES SKIRTBOARD SECTION LENGTH [FOOT]
 4 = 4 FOOT SECTION
 6 = 6 FOOT SECTION
 THE NEXT "X" INDICATES MATERIAL TYPE:
 T = MILD STEEL
 S = 304 STAINLESS STEEL
 F = 316 STAINLESS STEEL
 THE LAST "X" INDICATES LINER MATERIAL:
 T = 304 SS 1/4" THICK
 2 = 304 SS 3/8" THICK
 3 = 304 SS 1/2" THICK
 4 = 316 SS 1/4" THICK
 5 = 316 SS 3/8" THICK
 6 = 316 SS 1/2" THICK
 7 = AR500 1/4" THICK
 8 = AR500 3/8" THICK
 9 = AR500 1/2" THICK
 10 = ARCOPLATE 1/2" THICK
 ADD AN "L" TO THE END OF THE PART NUMBER FOR LESS TOP COVERS.



B CHGD P/N FROM 37548-XXXX TO 37548-XXXXLX IN BOM				16557	06/11/24	JMH	MARTIN ENGINEERING NEPONSET, IL USA		DRWN MH DATE 03/08/23	
A CHGD P/N 37554-R1XX -L1XX -R2XX & -L2XX TO CDS1PS1011X & CDS1PS10400X P/N 11222-XXXXXX & CDS1PS10411X TO CDS1PS10412X P/N 11222-XXXXXX & 37548-XXXXX TO BOM / BOM NOT TRN TO FIT				16473	03/12/24	JMH	MARTIN ENGINEERING NEPONSET, IL USA		DATE 03/11/23 CHECKED	
REV	DESCRIPTION	ECN	DATE	BY	TITLE				ENG. #29	
MATERIAL	[FINISH]	WEIGHT	SURFACE FINISH	ANGULAR ±	10 IN. TALL LOAD ZONE KITS (4FT & 6FT SECTIONS)				DATE 03/24/23	
UNLESS OTHERWISE SPECIFIED TOLERANCES IN MM [INCH]:				±.1	±.005	DRAWING NUMBER				APPROVED #28
DIMENSIONS ARE IN MM [INCH]				±.005	±.001	DRAWING NUMBER				DATE 03/28/23
DIMENSIONS FOR REFERENCE ONLY				±.005	±.001	DRAWING NUMBER				SCALE 1:12
SOLIDWORKS				PR14439		CDLLSXXXXXXX				

© Copyright 2023 Martin Engineering. All rights reserved. Covered by U.S. and foreign patents pending and issued. ® and TM indicate trademarks of Martin Engineering.