

PART NUMBER	BELT WIDTH	TROUGH ANGLE	CHUTE WIDTH (INSIDE)	STRINGER WIDTH	
				STD BASE	WIDE BASE
CDL2S18X20XXX	457.2 [18.00]	20	228.6 [9.00]	762.0 [30.00]	914.4 [36.00]
CDL2S18X35XXX	457.2 [18.00]	35	228.6 [9.00]	762.0 [30.00]	914.4 [36.00]
CDL2S18X45XXX	457.2 [18.00]	45	228.6 [9.00]	762.0 [30.00]	914.4 [36.00]
CDL2S24X20XXX	609.6 [24.00]	20	349.3 [13.75]	914.4 [36.00]	1066.8 [42.00]
CDL2S24X35XXX	609.6 [24.00]	35	349.3 [13.75]	914.4 [36.00]	1066.8 [42.00]
CDL2S24X45XXX	609.6 [24.00]	45	349.3 [13.75]	914.4 [36.00]	1066.8 [42.00]
CDL2S30X20XXX	762.0 [30.00]	20	476.3 [18.75]	1066.8 [42.00]	1219.2 [48.00]
CDL2S30X35XXX	762.0 [30.00]	35	444.5 [17.50]	1066.8 [42.00]	1219.2 [48.00]
CDL2S30X45XXX	762.0 [30.00]	45	416.1 [16.38]	1066.8 [42.00]	1219.2 [48.00]
CDL2S36X20XXX	914.4 [36.00]	20	622.3 [24.50]	1219.2 [48.00]	1371.6 [54.00]
CDL2S36X35XXX	914.4 [36.00]	35	584.2 [23.00]	1219.2 [48.00]	1371.6 [54.00]
CDL2S36X45XXX	914.4 [36.00]	45	539.8 [21.25]	1219.2 [48.00]	1371.6 [54.00]
CDL2S42X20XXX	1066.8 [42.00]	20	762.0 [30.00]	1371.6 [54.00]	1524.0 [60.00]
CDL2S42X35XXX	1066.8 [42.00]	35	704.9 [27.75]	1371.6 [54.00]	1524.0 [60.00]
CDL2S42X45XXX	1066.8 [42.00]	45	647.7 [25.50]	1371.6 [54.00]	1524.0 [60.00]
CDL2S48X20XXX	1219.2 [48.00]	20	908.1 [35.75]	1524.0 [60.00]	1676.4 [66.00]
CDL2S48X35XXX	1219.2 [48.00]	35	838.2 [33.00]	1524.0 [60.00]	1676.4 [66.00]
CDL2S48X45XXX	1219.2 [48.00]	45	768.4 [30.25]	1524.0 [60.00]	1676.4 [66.00]
CDL2S54X20XXX	1371.6 [54.00]	20	1054.1 [41.50]	1676.4 [66.00]	1828.8 [72.00]
CDL2S54X35XXX	1371.6 [54.00]	35	971.6 [38.25]	1676.4 [66.00]	1828.8 [72.00]
CDL2S54X45XXX	1371.6 [54.00]	45	895.4 [35.25]	1676.4 [66.00]	1828.8 [72.00]
CDL2S60X20XXX	1524.0 [60.00]	20	1200.2 [47.25]	1828.8 [72.00]	1981.2 [78.00]
CDL2S60X35XXX	1524.0 [60.00]	35	1104.9 [43.50]	1828.8 [72.00]	1981.2 [78.00]
CDL2S60X45XXX	1524.0 [60.00]	45	1016.0 [40.00]	1828.8 [72.00]	1981.2 [78.00]
CDL2S72X20XXX	1828.8 [72.00]	20	1498.6 [59.00]	2133.6 [84.00]	2286.0 [90.00]
CDL2S72X35XXX	1828.8 [72.00]	35	1380.0 [54.25]	2133.6 [84.00]	2286.0 [90.00]
CDL2S72X45XXX	1828.8 [72.00]	45	1270.0 [50.00]	2133.6 [84.00]	2286.0 [90.00]

ITEM 2: WEARLINER			
PART NO.	LENGTH	THICKNESS	MATERIAL
38481-525S	1828.8 [72.00]	6.4 [.25]	AR 500
38481-525S48	1219.2 [48.00]	6.4 [.25]	AR 500
38481-538S	1828.8 [72.00]	9.5 [.38]	AR 500
38481-538S48	1219.2 [48.00]	9.5 [.38]	AR 500
38481-550B48	1219.2 [48.00]	12.7 [.50]	AR 500
38481-550S	1828.8 [72.00]	12.7 [.50]	AR 500
38481-550S48	1219.2 [48.00]	12.7 [.50]	AR 500
38481-C38S	1828.8 [72.00]	9.5 [.38]	304 SS
38481-C38S48	1219.2 [48.00]	9.5 [.38]	304 SS
38481-C50S	1828.8 [72.00]	12.7 [.50]	304 SS
38481-C50S48	1219.2 [48.00]	12.7 [.50]	304 SS
38481-S38S	1828.8 [72.00]	9.5 [.38]	316 SS
38481-S38S48	1219.2 [48.00]	9.5 [.38]	316 SS
38481-S50S	1828.8 [72.00]	12.7 [.50]	316 SS
38481-S50S48	1219.2 [48.00]	12.7 [.50]	316 SS
38481-A50S	1828.8 [72.00]	12.7 [.50]	ARCOPLATE
38481-A50S48	1219.2 [48.00]	12.7 [.50]	ARCOPLATE
38481-A50B48	1219.2 [48.00]	12.7 [.50]	ARCOPLATE

P/N INCLUDES SEAL CLAMPS AND HARDWARE

ITEM 1: CHUTEWALL	
PART NO.	LENGTH
37548-4EW18X	1219.2 [48.00]
37548-6EW18X	1828.8 [72.00]

LAST X INDICATES MATERIAL:  
T = MILD STEEL, GRAY PAINT  
S = 304 STAINLESS STEEL  
F = 316 STAINLESS STEEL

ITEM 5: TOP FLAT TAIL COVERS	
PART NO.	LENGTH
37555-XXXXTX	1219.2 [48.00]
37555-XXXXT6X	1828.8 [72.00]

FIRST XX INDICATES BELT WIDTH [INCHES]  
NEXT XX INDICATES TROUGH ANGLE  
LAST X INDICATES MATERIAL:  
T = MILD STEEL, GRAY PAINT  
S = 304 STAINLESS STEEL  
C = 304 STAINLESS STEEL  
F = 316 STAINLESS STEEL

ITEM 7: TAIL PANEL CLAMP	
PART NO.	LENGTH
33262-XXXXX	

FIRST XX INDICATES BELT WIDTH [INCHES]  
NEXT XX INDICATES TROUGH ANGLE  
LAST X INDICATES MATERIAL:  
BLANK = MILD STEEL, GRAY PAINT  
C = 304 STAINLESS STEEL  
S = 316 STAINLESS STEEL

ITEM 10: INSTALLATION HARDWARE	
PART NO.	SKIRTBOARD LENGTH
CDL2H4XXX	1219.2 [48.00]
CDL2H6XXX	1828.8 [72.00]

FIRST XX INDICATES BELT WIDTH [INCHES]  
LAST X INDICATES MATERIAL:  
T = ZINC PLATED  
S = 304 STAINLESS STEEL  
F = 316 STAINLESS STEEL

ITEM 6: TAIL PANEL	
PART NO.	LENGTH
37550-18XXXXX	

FIRST XX INDICATES BELT WIDTH [INCHES]  
NEXT XX INDICATES TROUGH ANGLE  
LAST X INDICATES MATERIAL:  
T = MILD STEEL, GRAY PAINT  
S = 304 STAINLESS STEEL  
F = 316 STAINLESS STEEL

ITEM 8: TAIL PANEL RUBBER SHEET	
PART NO.	LENGTH
37881-18	355.6 [14.00]
37881-24	508.0 [20.00]
37881-30	660.4 [26.00]
37881-36	812.8 [32.00]
37881-42	965.2 [38.00]
37881-48	1117.6 [44.00]
37881-54	1270.0 [50.00]
37881-60	1422.4 [56.00]
37881-72	1727.2 [68.00]

TRIM SHEET TO FIT INSIDE CHUTE

ITEMS 3&4: OUTER SUPPORTS		
BELT WIDTH	STANDARD BASE	WIDE BASE
457.2 [18.00]-1066.8 [42.00]	37554-R1SX	37554-R1WX
	37554-L1SX	37554-L1WX
	37554-R2SX	37554-R2WX
	37554-L2SX	37554-L2WX

X IN PART NUMBER INDICATES MATERIAL:  
BLANK = MILD STEEL, GRAY PAINT  
C = 304 STAINLESS STEEL  
S = 316 STAINLESS STEEL  
\*\* SUPPORTS ARE LONGER THAN REQUIRED, FIELD TRIM TO DESIRED LENGTH\*\*

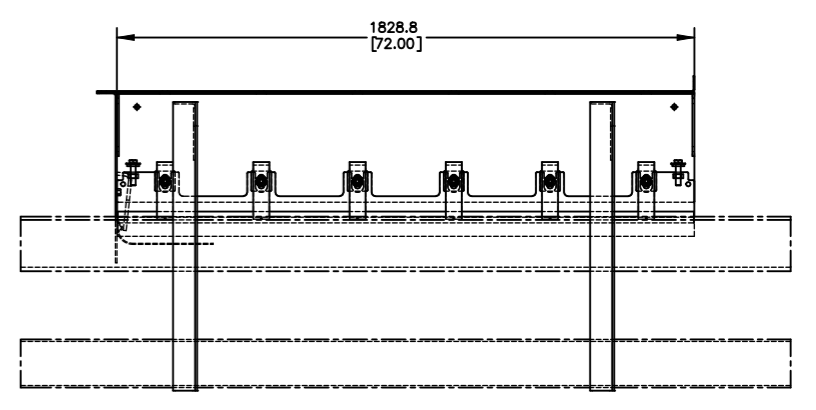
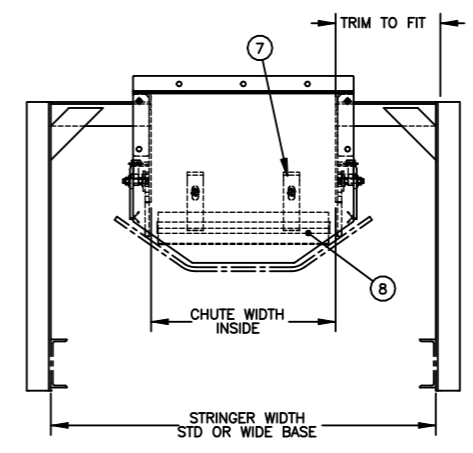
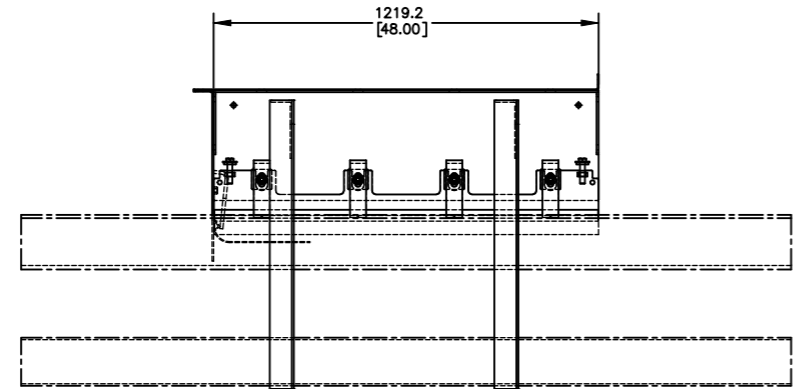
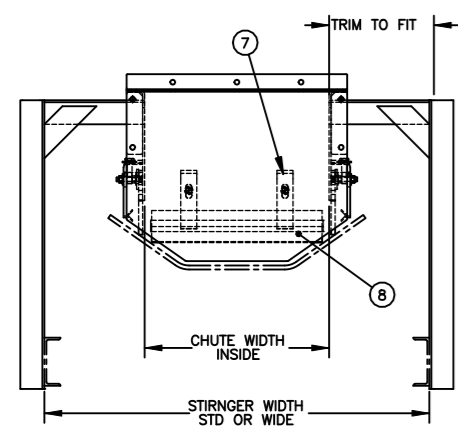
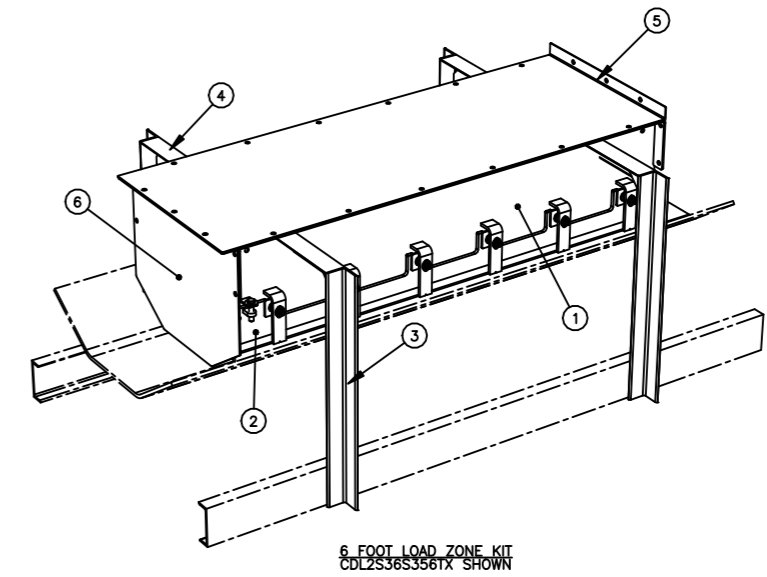
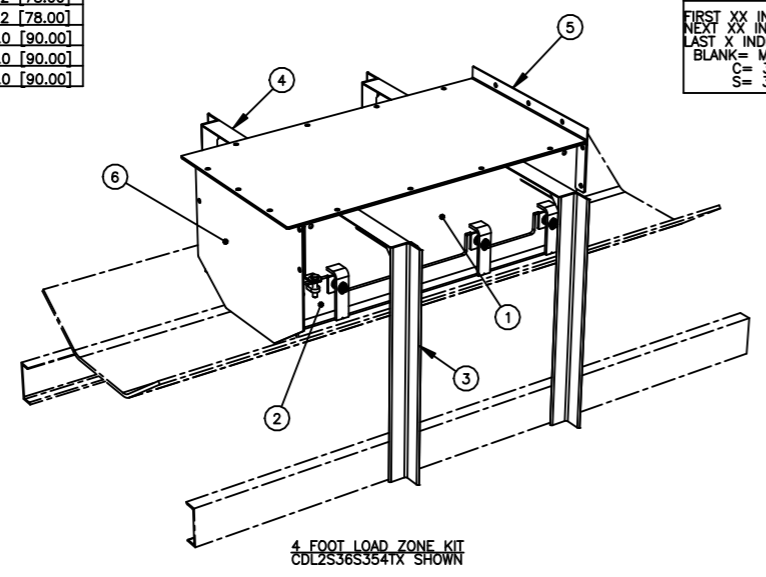
ITEM 9: WEARLINER PLATE	
PART NO.	LENGTH
WL-080072000XXX	1018.8 [72.00]
WL-080048000XXX	1219.2 [48.00]

THE FIRST XX INDICATES MATERIAL THICKNESS IN INCHES:  
25 = .25 INCHES  
38 = .38 INCHES  
50 = .50 INCHES  
THE LAST X INDICATES MATERIAL TYPE:  
S = AR500  
C = 304 STAINLESS STEEL  
A = ARCOPLATE

ITEM	QTY	DESCRIPTION	PART NUMBER
1	2	CHUTEWALL WELDMENT	SEE CHART
2	2	WEARLINER ASSEMBLY	SEE CHART
3	2	OUTER CHUTE SUPPORT-RT	SEE CHART
4	2	OUTER CHUTE SUPPORT-LT	SEE CHART
5	1	TOP FLAT COVER	SEE CHART
6	1	TAIL PANEL	SEE CHART
7	1	TAIL PANEL CLAMP	SEE CHART
8	1	TAIL PANEL RUBBER SHEET	SEE CHART
9	2	WEARLINER PLATE	SEE CHART
10	1	INSTALLATION HARDWARE	SEE CHART
11	1	OPERATOR'S MANUAL	M4170

NS = NOT SHOWN

\* FOR BELT WIDTHS 18"-36": FREE BELT AREA= 101.6 [4.00]  
 \* FOR BELT WIDTHS 42" AND LARGER: FREE BELT AREA= 143.0 [5.63]  
 \* REFER TO L3636 FOR APRONSAL COMPATIBILITY



NOTES:  
 THE "CDL2" IN PART NUMBER INDICATES EXTENDED HEIGHT LOAD ZONE  
 THE NEXT SXX INDICATES BELT WIDTH IN INCHES  
 EXAMPLE:  
 S24 = 24" BELT WIDTH  
 S48 = 48" BELT WIDTH  
 THE NEXT X INDICATES STRINGER WIDTH  
 S = STANDARD BASE  
 W = WIDE BASE  
 THE NEXT XX INDICATES BELT TROUGH ANGLE  
 20 = 20 DEGREE TROUGH  
 35 = 35 DEGREE TROUGH  
 45 = 45 DEGREE TROUGH  
 THE NEXT X INDICATES SKIRTBOARD SECTION LENGTH [FOOT]  
 4 = 4 FOOT SECTION  
 6 = 6 FOOT SECTION  
 THE NEXT X INDICATES MATERIAL TYPE:  
 T = MILD STEEL  
 S = 304 STAINLESS STEEL  
 F = 316 STAINLESS STEEL  
 THE LAST X INDICATES LINER MATERIAL:  
 1 = 304 SS [1/4" THICK]  
 2 = 304 SS [3/8" THICK]  
 3 = 304 SS [1/2" THICK]  
 4 = 316 SS [1/4" THICK]  
 5 = 316 SS [3/8" THICK]  
 6 = 316 SS [1/2" THICK]  
 7 = AR500 [1/4" THICK]  
 8 = AR500 [3/8" THICK]  
 9 = AR500 [1/2" THICK]  
 A = ARCOPLATE [1/2" THICK]  
 B = BOCO [1/2" AR 500, 4FT SECTION ONLY]  
 ADD AN "L" TO END OF P/N FOR LESS COVERS

Copyright 2021 Martin Engineering. All rights reserved. Covered by U.S. and foreign patents pending and issued. ® and ™ indicate trademarks of Martin Engineering.

MARTIN ENGINEERING  
NEPONSET, IL USA

DRAWN JRB  
DATE 10/22/21  
CHECKED

REV	DESCRIPTION	ECN	DATE	BY
A	ADDED 25 = .25 INCHES TO ITEM 9: WEARLINER PLATE	16248	01/04/23	JAH

TITLE: 18 IN. TALL LOAD ZONE KITS (4FT & 6FT SECTIONS)

DRAWING NUMBER: PR14212 CDL2SXXXXXXX

SCALE: 1:12

UNLESS OTHERWISE SPECIFIED TOLERANCES IN MM [INCH]:  
 DIMENSIONS ARE IN MM [INCH] .XX = ±.  
 DIMENSIONS FOR REFERENCE ONLY .XXX = ±.  
 SURFACE FINISH: ✓  
 ANGULAR: ±1  
 DRAFT ANGLE: -

ENG. JAH  
DATE 11/15/21  
I.E. JRB  
DATE 03/18/22  
APPROVED JAH  
DATE 03/18/22