

PART NUMBER	BELT WIDTH	TROUGH ANGLE	CHUTE WIDTH (INSIDE)	STRINGER WIDTH	
				STD BASE	WIDE BASE
CDL1S18X20XXX	457.2 [18.00]	20	228.6 [9.00]	762.0 [30.00]	914.4 [36.00]
CDL1S18X35XXX	457.2 [18.00]	35	228.6 [9.00]	762.0 [30.00]	914.4 [36.00]
CDL1S18X45XXX	457.2 [18.00]	45	228.6 [9.00]	762.0 [30.00]	914.4 [36.00]
CDL1S24X20XXX	609.6 [24.00]	20	349.3 [13.75]	914.4 [36.00]	1066.8 [42.00]
CDL1S24X35XXX	609.6 [24.00]	35	349.3 [13.75]	914.4 [36.00]	1066.8 [42.00]
CDL1S24X45XXX	609.6 [24.00]	45	349.3 [13.75]	914.4 [36.00]	1066.8 [42.00]
CDL1S30X20XXX	762.0 [30.00]	20	476.3 [18.75]	1066.8 [42.00]	1219.2 [48.00]
CDL1S30X35XXX	762.0 [30.00]	35	444.5 [17.50]	1066.8 [42.00]	1219.2 [48.00]
CDL1S30X45XXX	762.0 [30.00]	45	416.1 [16.38]	1066.8 [42.00]	1219.2 [48.00]
CDL1S36X20XXX	914.4 [36.00]	20	622.3 [24.50]	1219.2 [48.00]	1371.6 [54.00]
CDL1S36X35XXX	914.4 [36.00]	35	584.2 [23.00]	1219.2 [48.00]	1371.6 [54.00]
CDL1S36X45XXX	914.4 [36.00]	45	539.8 [21.25]	1219.2 [48.00]	1371.6 [54.00]
CDL1S42X20XXX	1066.8 [42.00]	20	762.0 [30.00]	1371.6 [54.00]	1524.0 [60.00]
CDL1S42X35XXX	1066.8 [42.00]	35	704.9 [27.75]	1371.6 [54.00]	1524.0 [60.00]
CDL1S42X45XXX	1066.8 [42.00]	45	647.7 [25.50]	1371.6 [54.00]	1524.0 [60.00]
CDL1S48X20XXX	1219.2 [48.00]	20	908.1 [35.75]	1524.0 [60.00]	1676.4 [66.00]
CDL1S48X35XXX	1219.2 [48.00]	35	838.2 [33.00]	1524.0 [60.00]	1676.4 [66.00]
CDL1S48X45XXX	1219.2 [48.00]	45	768.4 [30.25]	1524.0 [60.00]	1676.4 [66.00]
CDL1S54X20XXX	1371.6 [54.00]	20	1054.1 [41.50]	1676.4 [66.00]	1828.8 [72.00]
CDL1S54X35XXX	1371.6 [54.00]	35	971.6 [38.25]	1676.4 [66.00]	1828.8 [72.00]
CDL1S54X45XXX	1371.6 [54.00]	45	895.4 [35.25]	1676.4 [66.00]	1828.8 [72.00]
CDL1S60X20XXX	1524.0 [60.00]	20	1200.2 [47.25]	1828.8 [72.00]	1981.2 [78.00]
CDL1S60X35XXX	1524.0 [60.00]	35	1104.9 [43.50]	1828.8 [72.00]	1981.2 [78.00]
CDL1S60X45XXX	1524.0 [60.00]	45	1016.0 [40.00]	1828.8 [72.00]	1981.2 [78.00]
CDL1S72X20XXX	1828.8 [72.00]	20	1498.6 [59.00]	2133.6 [84.00]	2286.0 [90.00]
CDL1S72X35XXX	1828.8 [72.00]	35	1380.0 [54.25]	2133.6 [84.00]	2286.0 [90.00]
CDL1S72X45XXX	1828.8 [72.00]	45	1270.0 [50.00]	2133.6 [84.00]	2286.0 [90.00]

* FOR BELT WIDTHS 18"-36": FREE BELT AREA= 101.6 [4.00]
 * FOR BELT WIDTHS 42" AND LARGER: FREE BELT AREA= 143.0 [5.63]
 * REFER TO L3636 FOR APRONSEAL COMPATIBILITY

ITEM 2: WEARLINER			
PART NO.	LENGTH	THICKNESS	MATERIAL
38481-525S	1828.8 [72.00]	6.4 [.25]	AR 500
38481-525S48	1219.2 [48.00]	6.4 [.25]	AR 500
38481-538S	1828.8 [72.00]	9.5 [.38]	AR 500
38481-538S48	1219.2 [48.00]	9.5 [.38]	AR 500
38481-550S	1828.8 [72.00]	12.7 [.50]	AR 500
38481-550S48	1219.2 [48.00]	12.7 [.50]	AR 500
38481-C38S	1828.8 [72.00]	9.5 [.38]	304 SS
38481-C38S48	1219.2 [48.00]	9.5 [.38]	304 SS
38481-C50S	1828.8 [72.00]	12.7 [.50]	304 SS
38481-C50S48	1219.2 [48.00]	12.7 [.50]	304 SS
38481-S38S	1828.8 [72.00]	9.5 [.38]	316 SS
38481-S38S48	1219.2 [48.00]	9.5 [.38]	316 SS
38481-S50S	1828.8 [72.00]	12.7 [.50]	316 SS
38481-S50S48	1219.2 [48.00]	12.7 [.50]	316 SS
38481-A50S	1828.8 [72.00]	12.7 [.50]	ARCOPLATE
38481-A50S48	1219.2 [48.00]	12.7 [.50]	ARCOPLATE
38481-550B48	1219.2 [48.00]	12.7 [.50]	AR 500

P/N INCLUDES SEAL CLAMPS AND HARDWARE

ITEM 1: CHUTEWALL	
PART NO.	LENGTH
37548-4EW	1219.2 [48.00]
37548-6EW	1828.8 [72.00]

ITEM 5: TOP FLAT TAIL COVERS	
PART NO.	LENGTH
37555-XXXXTX	1219.2 [48.00]
37555-XXXXT6X	1828.8 [72.00]

FIRST XX INDICATES BELT WIDTH [INCHES]
 NEXT XX INDICATES TROUGH ANGLE
 LAST X INDICATES MATERIAL:
 BLANK= MILD STEEL, GRAY PAINT
 C= 304 STAINLESS STEEL
 S= 316 STAINLESS STEEL

ITEM 7: TAIL PANEL CLAMP	
PART NO.	LENGTH
33262-XXXXX	

FIRST XX INDICATES BELT WIDTH [INCHES]
 NEXT XX INDICATES TROUGH ANGLE
 LAST X INDICATES MATERIAL:
 BLANK= MILD STEEL, GRAY PAINT
 C= 304 STAINLESS STEEL
 S= 316 STAINLESS STEEL

ITEM 10: INSTALLATION HARDWARE	
PART NO.	SKIRTBOARD LENGTH
CDL1H4XXX	1219.2 [48.00]
CDL1H6XXX	1828.8 [72.00]

FIRST XX INDICATES BELT WIDTH [INCHES]
 LAST X INDICATES MATERIAL:
 T= ZINC PLATED
 S= 304 STAINLESS STEEL
 F= 316 STAINLESS STEEL

ITEM 6: TAIL PANEL	
PART NO.	LENGTH
37550-XXXXX	

FIRST XX INDICATES BELT WIDTH [INCHES]
 NEXT XX INDICATES TROUGH ANGLE
 LAST X INDICATES MATERIAL:
 BLANK= MILD STEEL, GRAY PAINT
 C= 304 STAINLESS STEEL
 S= 316 STAINLESS STEEL

ITEM 8: TAIL PANEL RUBBER SHEET	
PART NO.	LENGTH
37881-18	355.6 [14.00]
37881-24	508.0 [20.00]
37881-30	660.4 [26.00]
37881-36	812.8 [32.00]
37881-42	965.2 [38.00]
37881-48	1117.6 [44.00]
37881-54	1270.0 [50.00]
37881-60	1422.4 [56.00]
37881-72	1727.2 [68.00]

TRIM SHEET TO FIT INSIDE CHUTE

ITEMS 3&4: OUTER SUPPORTS		
BELT WIDTH	STANDARD BASE	WIDE BASE
457.2 [18.00]-1066.8 [42.00]	37554-R1SX	37554-R1WX
	37554-L1SX	37554-L1WX
1219.2 [48.00]-1828.8 [72.00]	37554-R2SX	37554-R2WX
	37554-L2SX	37554-L2WX

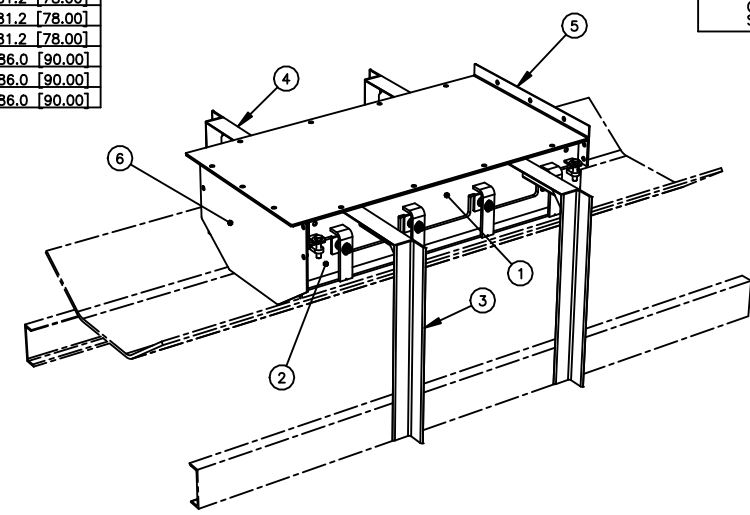
X IN PART NUMBER INDICATES MATERIAL:
 BLANK= MILD STEEL, GRAY PAINT
 C= 304 STAINLESS STEEL
 S= 316 STAINLESS STEEL
 ** SUPPORTS ARE LONGER THAN REQUIRED, FIELD TRIM TO DESIRED LENGTH**

ITEM 9: WEARLINER PLATE	
PART NO.	LENGTH
WL-08007200050X	1018.8 [72.00]
WL-08004800050X	1219.2 [48.00]
WL-08007200038X	1018.8 [72.00]
WL-08004800038X	1219.2 [48.00]
WL-08007200025X	1018.8 [72.00]
WL-08004800025X	1219.2 [48.00]

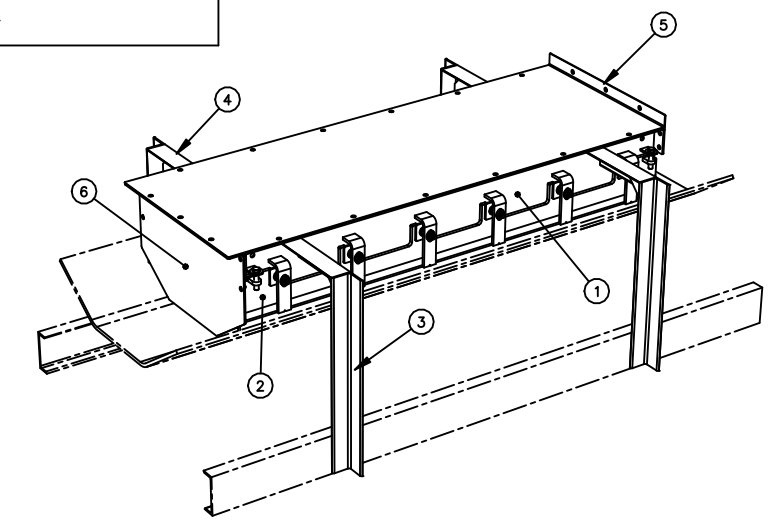
THE X INDICATES THE WEARLINER MATERIAL:
 5= AR 500 STEEL
 C= 304 STAINLESS STEEL
 A= ARCOPLATE

ITEM	QTY	DESCRIPTION	PART NUMBER
1	2	CHUTEWALL WELDMENT	SEE CHART
2	2	WEARLINER ASSEMBLY	SEE CHART
3	2	OUTER CHUTE SUPPORT-RT	SEE CHART
4	2	OUTER CHUTE SUPPORT-LT	SEE CHART
5	1	TOP FLAT COVER	SEE CHART
6	1	TAIL PANEL	SEE CHART
7	1	TAIL PANEL CLAMP	SEE CHART
8	1	TAIL PANEL RUBBER SHEET	SEE CHART
9	2	WEARLINER PLATE	SEE CHART
10	1	INSTALLATION HARDWARE	SEE CHART
11	1	OPERATOR'S MANUAL	M4170

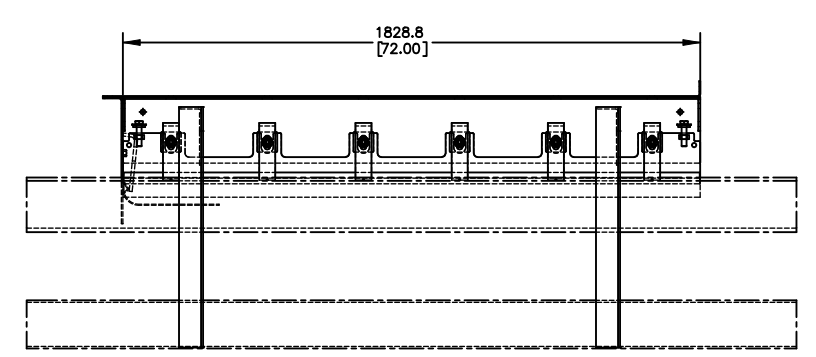
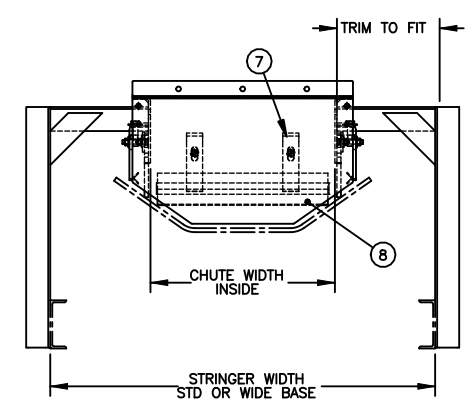
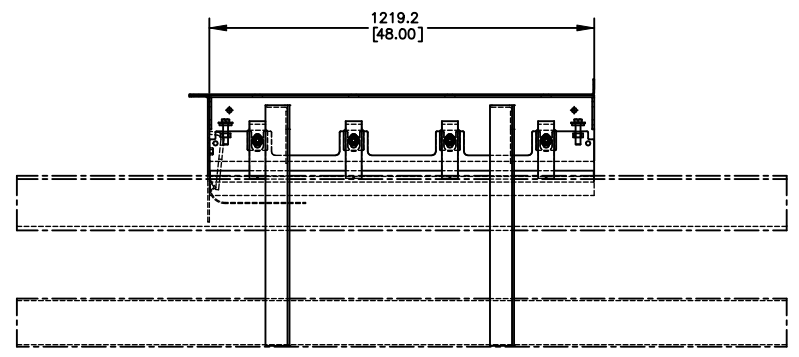
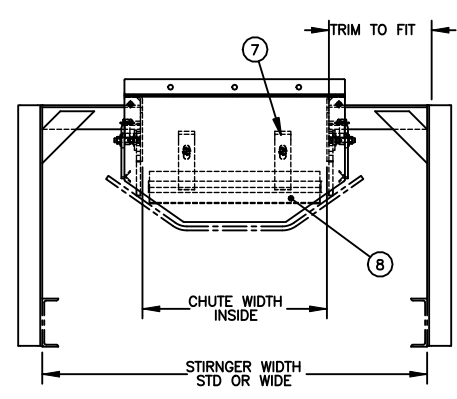
NS = NOT SHOWN



4 FOOT LOAD ZONE KIT
 CDL1S36S3541X SHOWN



6 FOOT LOAD ZONE KIT
 CDL1S36S3561X SHOWN



NOTES:
 THE "CDL1" IN PART NUMBER INDICATES STANDARD HEIGHT LOAD ZONE
 THE NEXT SXX INDICATES BELT WIDTH IN INCHES
 EXAMPLE:
 S24= 24" BELT WIDTH
 S48= 48" BELT WIDTH
 THE NEXT X INDICATES STRINGER WIDTH
 S= STANDARD BASE
 W= WIDE BASE
 THE NEXT XX INDICATES BELT TROUGH ANGLE
 20= 20 DEGREE TROUGH
 35= 35 DEGREE TROUGH
 45= 45 DEGREE TROUGH
 THE NEXT X INDICATES SKIRTBOARD SECTION LENGTH [FOOT]
 4= 4 FOOT SECTION
 6= 6 FOOT SECTION
 THE NEXT X INDICATES MATERIAL TYPE:
 T= MILD STEEL
 S= 304 STAINLESS STEEL
 F= 316 STAINLESS STEEL
 THE LAST X INDICATES LINER MATERIAL:
 1= 304 SS [1/4" THICK]
 2= 304 SS [3/8" THICK]
 3= 304 SS [1/2" THICK]
 4= 316 SS [1/4" THICK]
 5= 316 SS [3/8" THICK]
 6= 316 SS [1/2" THICK]
 7= AR500 [1/4" THICK]
 8= AR500 [3/8" THICK]
 9= AR500 [1/2" THICK]
 A= ARCOPLATE [1/2" THICK]
 B= BOCO [1/2" AR 500, 4FT SECTION ONLY]
 ADD AN L TO THE END OF THE PART NUMBER FOR LESS TOP COVERS.

C	ADDED P/N WL-08007200025X & WL-08004800025X TO ITEM 9 WEARLINER CHART	16248	01/04/23	JAH	© Copyright 2021 Martin Engineering. All rights reserved. Covered by U.S. and foreign patents pending and issued. ® and TM indicate trademarks of Martin Engineering.
B	ROUTED P/N CDL1S36S3561X, ADDED P/N'S WL-08007200038X & WL-08004800038X TO ITEM 9 WEARLINER CHART. ADDED NOTE: ADD AN L TO THE END OF P/N... (PR14286)		11/01/21	MH	MARTIN ENGINEERING NEPONSET, IL USA
A	TO NOTES: ADD B= BOCO [1/2" AR500] TO ITEM 9 CHART; CHANGE A= 304 STAINLESS STEEL TO C= 304 STAINLESS STEEL & ADD A= ARCOPLATE; TO ITEM 2 CHART: ADD P/N'S 38481-A50S48 & 38481-550B48	15953	08/11/21	JRB	12 IN. TALL LOAD ZONE KITS (4FT & 6FT SECTIONS)
REV	DESCRIPTION	ECN	DATE	BY	CHECKED
MATERIAL: --	FINISH: --	WEIGHT: --			ENG. <i>JAH</i>
UNLESS OTHERWISE SPECIFIED TOLERANCES IN MM [INCH]:				SURFACE FINISH: ✓	
DIMENSIONS ARE IN MM [INCH]				.XX = ±	
DIMENSIONS FOR REFERENCE ONLY				.XXX = ±	
				ANGULAR: ±1	
				DRAFT ANGLE: --	
DRAWING NUMBER		PR14123		CDL1SXXXXXXX	
SOLIDWORKS		SUPERCEDES SAME SIZE SAME DATE		SCALE 1:12	
DATE 04/14/21		DATE 05/03/21		DATE 05/14/21	
DATE 05/17/21		DATE 05/17/21		DATE 05/17/21	