

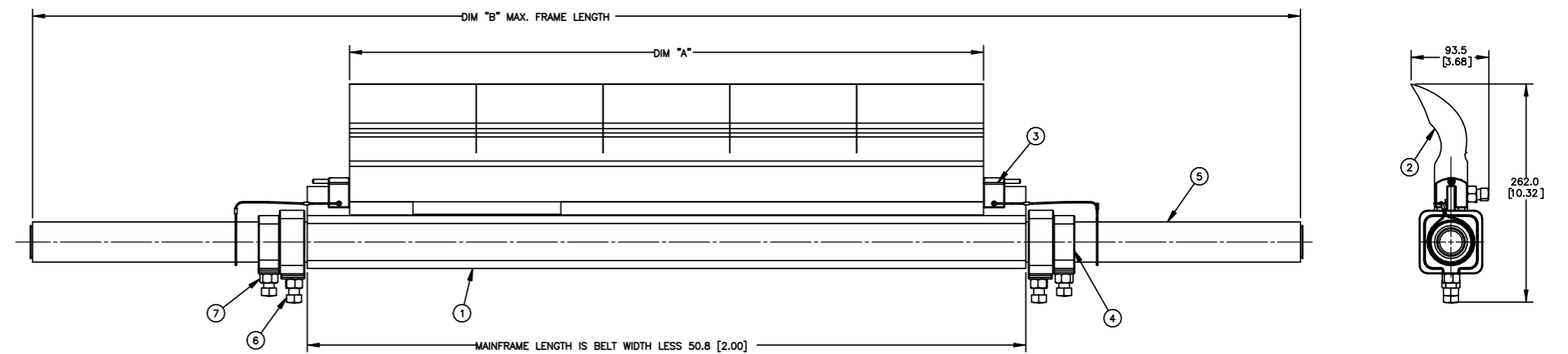
PART NUMBER	DIM 'A'		DIM 'B'		P/N ITEM 1	P/N ITEM 2	P/N ITEM 5	WEIGHT W/O TENS KG (LBS)	
C1QCP3S18S4XXPX	355.6	[14.00]	863.6	[34.00]	C1QCP3MS18P	C1QCPBS18S4XX	C1QATTS16	14.4	[31.7]
C1QCP3S18S6XXPX	304.8	[12.00]	863.6	[34.00]	C1QCP3MS18P	C1QCPBS18S6XX	C1QATTS16	14.0	[30.9]
C1QCP3S18S8XXPX	254.0	[10.00]	863.6	[34.00]	C1QCP3MS18P	C1QCPBS18S8XX	C1QATTS16	13.6	[30.0]
C1QCP3S24S4XXPX	508.0	[20.00]	1168.4	[46.00]	C1QCP3MS24P	C1QCPBS24S4XX	C1QATTS19	18.1	[39.9]
C1QCP3S24S6XXPX	457.2	[18.00]	1168.4	[46.00]	C1QCP3MS24P	C1QCPBS24S6XX	C1QATTS19	17.8	[39.2]
C1QCP3S24S8XXPX	406.4	[16.00]	1168.4	[46.00]	C1QCP3MS24P	C1QCPBS24S8XX	C1QATTS19	17.4	[38.4]
C1QCP3S30S4XXPX	660.4	[26.00]	1320.8	[52.00]	C1QCP3MS30P	C1QCPBS30S4XX	C1QATTS19	20.8	[45.9]
C1QCP3S30S6XXPX	609.6	[24.00]	1320.8	[52.00]	C1QCP3MS30P	C1QCPBS30S6XX	C1QATTS19	20.5	[45.2]
C1QCP3S30S8XXPX	558.8	[22.00]	1320.8	[52.00]	C1QCP3MS30P	C1QCPBS30S8XX	C1QATTS19	20.1	[44.3]
C1QCP3S36S4XXPX	812.8	[32.00]	1524.0	[60.00]	C1QCP3MS36P	C1QCPBS36S4XX	C1QATTS24	25.3	[55.8]
C1QCP3S36S6XXPX	762.0	[30.00]	1524.0	[60.00]	C1QCP3MS36P	C1QCPBS36S6XX	C1QATTS24	25.0	[55.1]
C1QCP3S36S8XXPX	711.2	[28.00]	1524.0	[60.00]	C1QCP3MS36P	C1QCPBS36S8XX	C1QATTS24	24.6	[54.2]
C1QCP3S42S4XXPX	965.2	[38.00]	1828.8	[72.00]	C1QCP3MS42P	C1QCPBS42S4XX	C1QATTS24	28.0	[61.7]
C1QCP3S42S6XXPX	914.4	[36.00]	1828.8	[72.00]	C1QCP3MS42P	C1QCPBS42S6XX	C1QATTS24	27.6	[60.8]
C1QCP3S42S8XXPX	863.6	[34.00]	1828.8	[72.00]	C1QCP3MS42P	C1QCPBS42S8XX	C1QATTS24	27.3	[60.2]
C1QCP3S48S4XXPX	1117.6	[44.00]	1981.2	[78.00]	C1QCP3MS48P	C1QCPBS48S4XX	C1QATTS24	30.7	[67.7]
C1QCP3S48S6XXPX	1066.8	[42.00]	1981.2	[78.00]	C1QCP3MS48P	C1QCPBS48S6XX	C1QATTS24	30.3	[66.8]
C1QCP3S48S8XXPX	1016.0	[40.00]	1981.2	[78.00]	C1QCP3MS48P	C1QCPBS48S8XX	C1QATTS24	30.0	[66.1]
C1QCP3S54S4XXPX	1270.0	[50.00]	2133.6	[84.00]	C1QCP3MS54P	C1QCPBS54S4XX	C1QATTS24	33.3	[73.4]
C1QCP3S54S6XXPX	1219.2	[48.00]	2133.6	[84.00]	C1QCP3MS54P	C1QCPBS54S6XX	C1QATTS24	33.0	[72.8]
C1QCP3S54S8XXPX	1168.4	[46.00]	2133.6	[84.00]	C1QCP3MS54P	C1QCPBS54S8XX	C1QATTS24	32.6	[71.9]
C1QCP3S60S4XXPX	1422.4	[56.00]	2286.0	[90.00]	C1QCP3MS60P	C1QCPBS60S4XX	C1QATTS30	38.2	[84.2]
C1QCP3S60S6XXPX	1371.6	[54.00]	2286.0	[90.00]	C1QCP3MS60P	C1QCPBS60S6XX	C1QATTS30	37.9	[83.6]
C1QCP3S60S8XXPX	1320.8	[52.00]	2286.0	[90.00]	C1QCP3MS60P	C1QCPBS60S8XX	C1QATTS30	37.5	[82.7]
C1QCP3S66S4XXPX	1574.8	[62.00]	2438.4	[96.00]	C1QCP3MS66P	C1QCPBS66S4XX	C1QATTS30	40.9	[90.2]
C1QCP3S66S6XXPX	1524.0	[60.00]	2438.4	[96.00]	C1QCP3MS66P	C1QCPBS66S6XX	C1QATTS30	40.5	[89.3]
C1QCP3S66S8XXPX	1473.2	[58.00]	2438.4	[96.00]	C1QCP3MS66P	C1QCPBS66S8XX	C1QATTS30	40.2	[88.6]
C1QCP3S72S4XXPX	1727.2	[68.00]	2590.8	[102.00]	C1QCP3MS72P	C1QCPBS72S4XX	C1QATTS30	43.6	[96.1]
C1QCP3S72S6XXPX	1676.4	[66.00]	2590.8	[102.00]	C1QCP3MS72P	C1QCPBS72S6XX	C1QATTS30	43.2	[95.2]
C1QCP3S72S8XXPX	1625.6	[64.00]	2590.8	[102.00]	C1QCP3MS72P	C1QCPBS72S8XX	C1QATTS30	42.9	[94.6]

BLADE COLOR CHART		
ASSEMBLY PART NO.	BLADE COLOR & SEGMENTED OR SOLID	P/N ITEM 2
C1QCP3SXXSXBPX	SEG BROWN	C1QCPBSXXSXBO
C1QCP3SXXSXB1PX	SOLID BROWN	C1QCPBSXXSXB1
C1QCP3SXXSXTOPX	SEG TAN	C1QCPBSXXSXTO
C1QCP3SXXSXT1PX	SOLID TAN	C1QCPBSXXSXT1
C1QCP3SXXSXGPPX	SEG GREEN	C1QCPBSXXSXGO
C1QCP3SXXSXG1PX	SOLID GREEN	C1QCPBSXXSXG1
C1QCP3SXXSXNPPX	SEG NAVY BLUE	C1QCPBSXXSXNO
C1QCP3SXXSXN1PX	SOLID NAVY BLUE	C1QCPBSXXSXN1
C1QCP3SXXSXOPPX	SEG ORANGE	C1QCPBSXXSXOO
C1QCP3SXXSXO1PX	SOLID ORANGE	C1QCPBSXXSXO1

TENSIONER CHART							
BELT WIDTH	P/N ITEM 11 ALUM TWIST TENSIONER	P/N ITEM 11 STEEL TWIST TENSIONER	P/N ITEM 11 SS TWIST TENSIONER	P/N ITEM 11 SPRING ARM TENSIONER	P/N ITEM 11 SS SPRING ARM TENS	P/N ITEM 11 CABLE SPRING TENS	P/N ITEM 12 CABLE SPR TENS MNT
18 THRU 48	38850	31443	31443-SS	38180	38180-SS	37944	38100
54 AND ABOVE	38850-2	31443-2R	31443-DSS	38180-2	38180-2SS	37944	38100
60 AND ABOVE	38850-2	31443-2R	31443-DSS	38180-2	38180-2SS	37944-2	-----

ITEM	QTY.	DESCRIPTION	PART NUMBER
1	1	MAINFRAME WELDMENT	SEE CHART
2	1	BLADE	SEE CHART
3	2	MAINFRAME BLADE CLAMP	C1QCA1003ST
4	2	MAINFRAME COLLAR	C1QCA1004ST
5	2	TORQUE TUBE	SEE CHART
6	6	SCREW SHS 1/2-13NC X 1-1/4 SS	30488
7	6	NUT HEX 1/2-13NC 7P	11771
8	2	LABEL MARTIN PRODUCTS	38048
9	2	LABEL CONVEYOR PRODUCTS WARNING	23395
10	1	MANUAL OPERATOR'S	M4126
11	1	TENSIONER ASSEMBLY	SEE CHART
12	1	CABLE SPRING TENS MOUNT KIT	SEE CHART

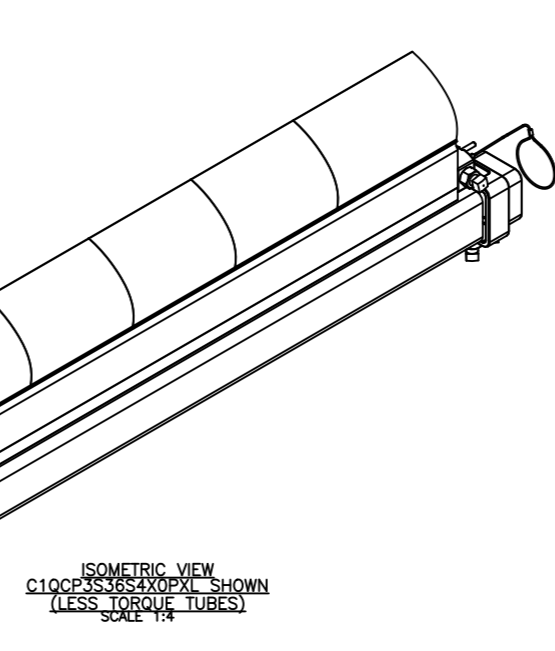
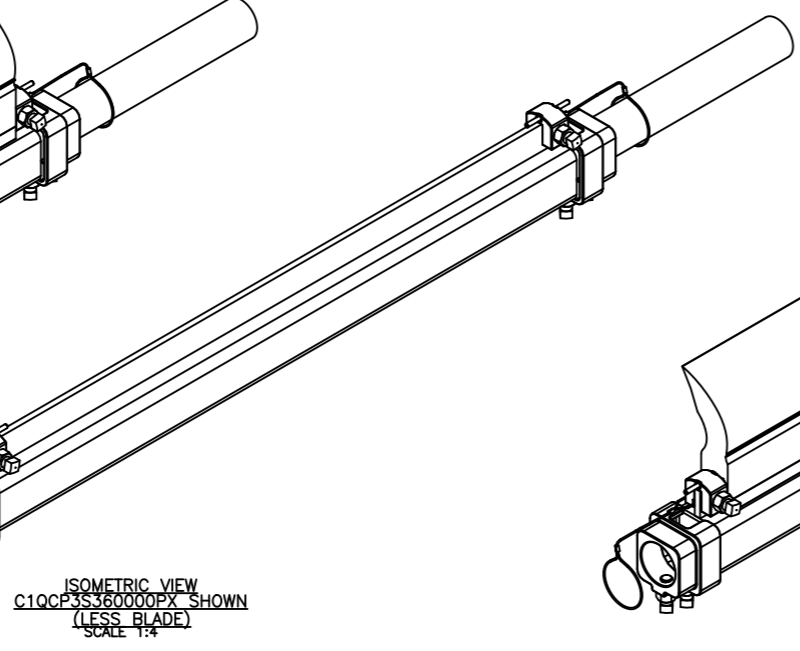
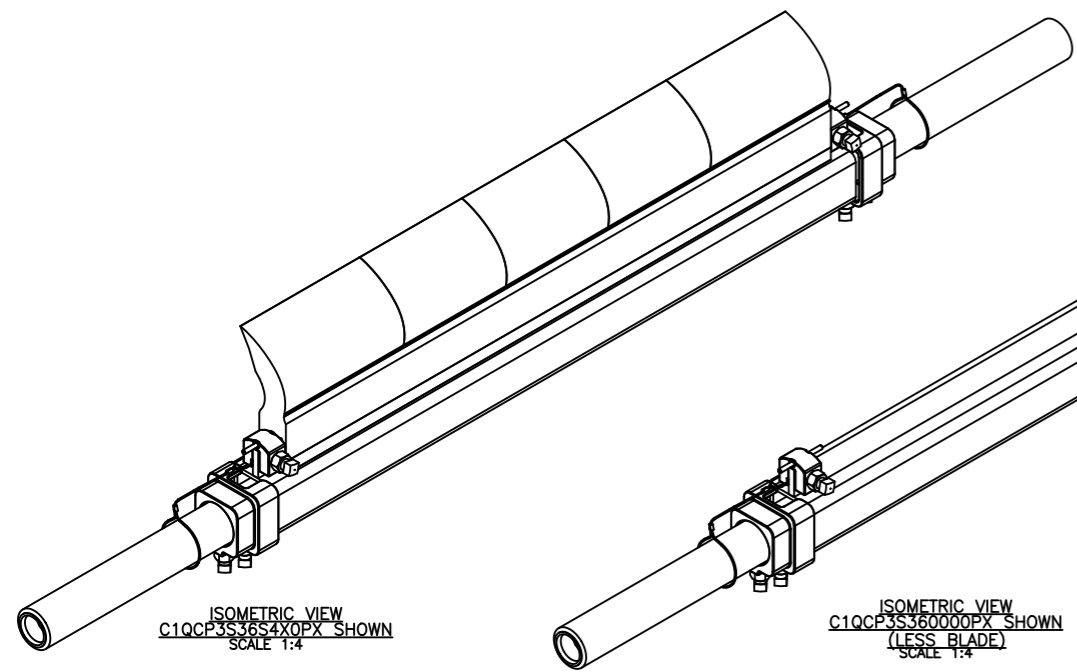
NS = NOT SHOWN



C1QCP3S36S6XOPX SHOWN

NOTES:

- IN THE C1QCP3 PART NUMBER THE "3" REPRESENTS A 3PC MAINFRAME. THE SIXX INDICATES THE BELT WIDTH IN INCH UNITS FOR BELT WIDTHS 18 THRU 72. S18 = 18.00 INCHES BELT WIDTH S72 = 72.00 INCHES BELT WIDTH THE NEXT SX INDICATES THE LESS BELT WIDTH BLADE COVERAGE IN INCH UNITS. 00 = NO BLADE S4 = 4.00 INCHES LESS BELT WIDTH S6 = 6.00 INCHES LESS BELT WIDTH S8 = 8.00 INCHES LESS BELT WIDTH THE FOURTH X IN THE PART NUMBER INDICATES THE BLADE COLOR: 0 = NO BLADE B = BROWN T = TAN G = GREEN N = NAVY BLUE O = ORANGE THE FIFTH X INDICATES IF THE BLADE IS SOLID OR SEGMENTED: 0 = SEGMENTED BLADE / NO BLADE 1 = SOLID BLADE THE P INDICATES A PAINTED STEEL MAINFRAME AND A BLADE WITH AN ALUMINUM EXTRUSION INSERT. THE SIXTH X INDICATES THE TENSIONER OPTIONS: BLANK = NO TENSIONER T = ALUMINUM TWIST TENSIONER (38850) O = STEEL TWIST TENSIONER (31443) F = STAINLESS STEEL TWIST TENSIONER (31443-SS) S = SPRING TENSIONER (38180) P = STAINLESS STEEL SPRING TENSIONER (38180-SS) C = CABLE SPRING TENSIONER (37944) M = CABLE SPRING TENSIONER (37944) WITH MOUNT PLATE (38100 - IS ONLY AVAILABLE WITH THE SINGLE CABLE SPRING TENSIONER #37944) ADD AN L TO THE END OF THE PART NUMBER TO GET A CLEANER LESS THE TORQUE TUBES.
- A DUAL TWIST OR SPRING TENSIONER IS SUPPLIED FOR BELT WIDTHS 1372 [54.00] AND ABOVE. SEE TENSIONER CHART.



D	ROUTED NEW P/N TO HAVE "M" & "O" OPTION FOR TENS / ADDED TENS OPTIONS "M" (37944), "O" (31443) & "C" (37944) TO NOTES & CHART / ADDED ROW 60 &... / ADDED ITEM 12 TO BOM. (PR14059)	09/30/20	MH	<p>MARTIN ENGINEERING NEPONSET, IL USA</p>	<p>Copyright 2019 Martin Engineering. All rights reserved. Covered by U.S. and foreign patents pending and issued. ® and ™ indicate trademarks of Martin Engineering.</p>	
C	REPLACED ITEM 4 (C1QCA1001ST) WITH C1QCA1004ST. TOOK OUT P/N 33190. CHANGED QTY OF ITEMS 6 & 7 FROM 2 TO 6.	15697	07/24/20		MH	<p>DRAWN RND DATE 06/06/19</p>
B	R/N 30488, 33190 & 11771 USE TO BE ITEMS 10, 11	15684	07/01/20		MH	<p>CHECKED</p>
A	ADDED 33190, 30488 & 11771 TO THE BOM.	15619	06/09/20		MH	<p>ENG. 34P DATE 06/26/19</p>
REV	DESCRIPTION	ECN	DATE		BY	<p>I.E. 34P DATE 07/03/19</p>
MATERIAL: FINISH: WEIGHT: SURFACE FINISH: DIMENSIONS ARE IN MM [INCH] ANGULAR: ±- DRAFT ANGLE: - DIMENSIONS FOR REFERENCE ONLY .X = ±. .XX = ±. .XXX = ±.		DRAWING NUMBER		<p>PR13753E C1QCP3SXXSXXPX</p> <p>SCALE 5:16</p>		