

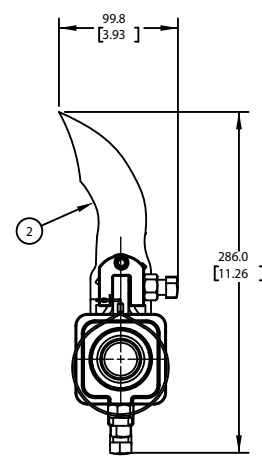
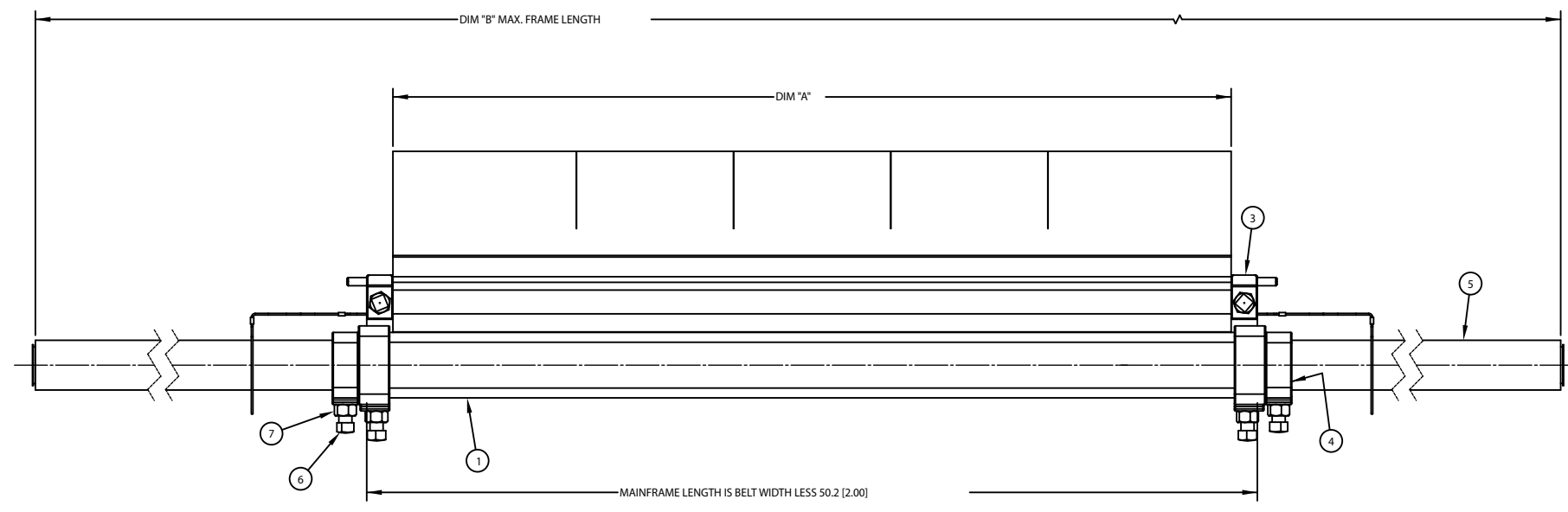
PART NUMBER	DIM "A"	DIM "B"	P/N ITEM 1	P/N ITEM 2	P/N ITEM 5	WEIGHT W/O TENS kg [lb]			
C1QCH31854XPX	355.6	[14.00]	863.6	[34.00]	C1QCH3M518P	C1QCHB51854XX	C1QATT516	16.7	[36.7]
C1QCH31856XPX	304.8	[12.00]	863.6	[34.00]	C1QCH3M518P	C1QCHB51856XX	C1QATT516	16.3	[35.9]
C1QCH31858XPX	254.0	[10.00]	863.6	[34.00]	C1QCH3M518P	C1QCHB51858XX	C1QATT516	15.8	[34.8]
C1QCH32454XPX	508.0	[20.00]	1168.4	[46.00]	C1QCH3M524P	C1QCHB52454XX	C1QATT519	21.1	[46.4]
C1QCH32456XPX	457.2	[18.00]	1168.4	[46.00]	C1QCH3M524P	C1QCHB52456XX	C1QATT519	20.6	[45.3]
C1QCH32458XPX	406.4	[16.00]	1168.4	[46.00]	C1QCH3M524P	C1QCHB52458XX	C1QATT519	20.2	[44.4]
C1QCH33054XPX	660.4	[26.00]	1320.8	[52.00]	C1QCH3M530P	C1QCHB53054XX	C1QATT519	24.4	[53.7]
C1QCH33056XPX	609.6	[24.00]	1320.8	[52.00]	C1QCH3M530P	C1QCHB53056XX	C1QATT519	23.9	[52.6]
C1QCH33058XPX	558.8	[22.00]	1320.8	[52.00]	C1QCH3M530P	C1QCHB53058XX	C1QATT519	23.5	[51.7]
C1QCH33654XPX	812.8	[32.00]	1524.0	[60.00]	C1QCH3M536P	C1QCHB53654XX	C1QATT524	29.5	[64.9]
C1QCH33656XPX	762.0	[30.00]	1524.0	[60.00]	C1QCH3M536P	C1QCHB53656XX	C1QATT524	29.1	[64.0]
C1QCH33658XPX	711.2	[28.00]	1524.0	[60.00]	C1QCH3M536P	C1QCHB53658XX	C1QATT524	28.6	[62.9]
C1QCH34254XPX	965.2	[38.00]	1828.8	[72.00]	C1QCH3M542P	C1QCHB54254XX	C1QATT524	32.8	[72.2]
C1QCH34256XPX	914.4	[36.00]	1828.8	[72.00]	C1QCH3M542P	C1QCHB54256XX	C1QATT524	32.3	[71.1]
C1QCH34258XPX	863.6	[34.00]	1828.8	[72.00]	C1QCH3M542P	C1QCHB54258XX	C1QATT524	31.9	[70.2]
C1QCH34854XPX	1117.6	[44.00]	1981.2	[78.00]	C1QCH3M548P	C1QCHB54854XX	C1QATT524	36.1	[79.4]
C1QCH34856XPX	1066.8	[42.00]	1981.2	[78.00]	C1QCH3M548P	C1QCHB54856XX	C1QATT524	35.6	[78.3]
C1QCH34858XPX	1016.0	[40.00]	1981.2	[78.00]	C1QCH3M548P	C1QCHB54858XX	C1QATT524	35.2	[77.4]
C1QCH35454XPX	1270.0	[50.00]	2133.6	[84.00]	C1QCH3M554P	C1QCHB55454XX	C1QATT524	39.4	[86.7]
C1QCH35456XPX	1219.2	[48.00]	2133.6	[84.00]	C1QCH3M554P	C1QCHB55456XX	C1QATT524	38.9	[85.6]
C1QCH35458XPX	1168.4	[46.00]	2133.6	[84.00]	C1QCH3M554P	C1QCHB55458XX	C1QATT524	38.4	[84.5]
C1QCH36054XPX	1422.4	[56.00]	2286.0	[90.00]	C1QCH3M560P	C1QCHB56054XX	C1QATT530	44.9	[98.8]
C1QCH36056XPX	1371.6	[54.00]	2286.0	[90.00]	C1QCH3M560P	C1QCHB56056XX	C1QATT530	44.4	[97.7]
C1QCH36058XPX	1320.8	[52.00]	2286.0	[90.00]	C1QCH3M560P	C1QCHB56058XX	C1QATT530	43.9	[96.6]
C1QCH36654XPX	1574.8	[62.00]	2438.4	[96.00]	C1QCH3M566P	C1QCHB56654XX	C1QATT530	48.2	[106.0]
C1QCH36656XPX	1524.0	[60.00]	2438.4	[96.00]	C1QCH3M566P	C1QCHB56656XX	C1QATT530	47.7	[104.9]
C1QCH36658XPX	1473.2	[58.00]	2438.4	[96.00]	C1QCH3M566P	C1QCHB56658XX	C1QATT530	47.2	[103.8]
C1QCH37254XPX	1727.2	[68.00]	2590.8	[102.00]	C1QCH3M572P	C1QCHB57254XX	C1QATT530	51.5	[113.3]
C1QCH37256XPX	1676.4	[66.00]	2590.8	[102.00]	C1QCH3M572P	C1QCHB57256XX	C1QATT530	51.0	[112.2]
C1QCH37258XPX	1625.6	[64.00]	2590.8	[102.00]	C1QCH3M572P	C1QCHB57258XX	C1QATT530	50.5	[111.1]
C1QCH37854XPX	1879.6	[74.00]	2743.2	[108.00]	C1QCH3M578P	C1QCHB57854XX	C1QATT542	59.2	[130.2]
C1QCH37856XPX	1828.8	[72.00]	2743.2	[108.00]	C1QCH3M578P	C1QCHB57856XX	C1QATT542	58.7	[129.1]
C1QCH37858XPX	1778.0	[70.00]	2743.2	[108.00]	C1QCH3M578P	C1QCHB57858XX	C1QATT542	58.2	[128.0]
C1QCH38454XPX	2032.0	[80.00]	2895.6	[114.00]	C1QCH3M584P	C1QCHB58454XX	C1QATT542	62.5	[137.5]
C1QCH38456XPX	1981.2	[78.00]	2895.6	[114.00]	C1QCH3M584P	C1QCHB58456XX	C1QATT542	62.0	[136.4]
C1QCH38458XPX	1930.4	[76.00]	2895.6	[114.00]	C1QCH3M584P	C1QCHB58458XX	C1QATT542	61.5	[135.3]
C1QCH39054XPX	2184.4	[86.00]	3048.0	[120.00]	C1QCH3M590P	C1QCHB59054XX	C1QATT542	65.7	[144.5]
C1QCH39056XPX	2133.6	[84.00]	3048.0	[120.00]	C1QCH3M590P	C1QCHB59056XX	C1QATT542	65.3	[143.7]
C1QCH39058XPX	2082.8	[82.00]	3048.0	[120.00]	C1QCH3M590P	C1QCHB59058XX	C1QATT542	64.8	[142.6]
C1QCH39654XPX	2336.8	[92.00]	3200.4	[126.00]	C1QCH3M596P	C1QCHB59654XX	C1QATT542	69.0	[151.8]
C1QCH39656XPX	2286.0	[90.00]	3200.4	[126.00]	C1QCH3M596P	C1QCHB59656XX	C1QATT542	68.6	[150.9]
C1QCH39658XPX	2235.2	[88.00]	3200.4	[126.00]	C1QCH3M596P	C1QCHB59658XX	C1QATT542	68.1	[149.8]
C1QCH3A254XPX	2489.2	[98.00]	3352.8	[132.00]	C1QCH3M5A2P	C1QCHB5A254XX	C1QATT542	72.3	[159.1]
C1QCH3A256XPX	2438.4	[96.00]	3352.8	[132.00]	C1QCH3M5A2P	C1QCHB5A256XX	C1QATT542	71.8	[158.0]
C1QCH3A258XPX	2387.6	[94.00]	3352.8	[132.00]	C1QCH3M5A2P	C1QCHB5A258XX	C1QATT542	71.4	[157.1]
C1QCH3A354XPX	2641.6	[104.00]	3505.2	[138.00]	C1QCH3M5A8P	C1QCHB5A4500X	C1QATT542	75.6	[166.3]
C1QCH3A356XPX	2590.8	[102.00]	3505.2	[138.00]	C1QCH3M5A8P	C1QCHB5A2500X	C1QATT542	75.1	[165.2]
C1QCH3A358XPX	2540.0	[100.00]	3505.2	[138.00]	C1QCH3M5A8P	C1QCHB5A0500X	C1QATT542	74.6	[164.1]

BLADE COLOR CHART		
ASSEMBLY PART NO.	BLADE COLOR & SEGMENTED OR SOLID	P/N ITEM 2
C1QCH33XXSBOPX	SEG BROWN	C1QCHB53XXSB0
C1QCH33XXSB1PX	SOL BROWN	C1QCHB53XXSB1
C1QCH33XXSXTOPX	SEG TAN	C1QCHB53XXSXT0
C1QCH33XXSXT1PX	SOL TAN	C1QCHB53XXSXT1
C1QCH33XXSXGOPX	SEG GREEN	C1QCHB53XXSXG0
C1QCH33XXSXG1PX	SOL GREEN	C1QCHB53XXSXG1
C1QCH33XXSXNOPX	SEG NAVY BLUE	C1QCHB53XXSXN0
C1QCH33XXSXN1PX	SOL NAVY BLUE	C1QCHB53XXSXN1
C1QCH33XXSXOOPX	SEG ORANGE	C1QCHB53XXSXO0
C1QCH33XXSXO1PX	SOL ORANGE	C1QCHB53XXSXO1
C1QCH33XXSXC1PX	SOL YELLOW W/CERAMIC BEADS	C1QCHB53XXSXC1

TENSIONER CHART					
BELT WIDTH	P/N ITEM 11 TWIST TENSIONER	P/N ITEM 11 SPRING ARM TENSIONER	P/N ITEM 11 SS SPRING TENSIONER	P/N ITEM 11 STEEL TWIST TENSIONER	P/N ITEM 11 SS TWIST TENSIONER
18 THRU 48	38850	38180	38180-SS	31443	31443-SS
54 AND ABOVE	38850-2	38180-2	38180-2SS	31443-2R	31443-2SS

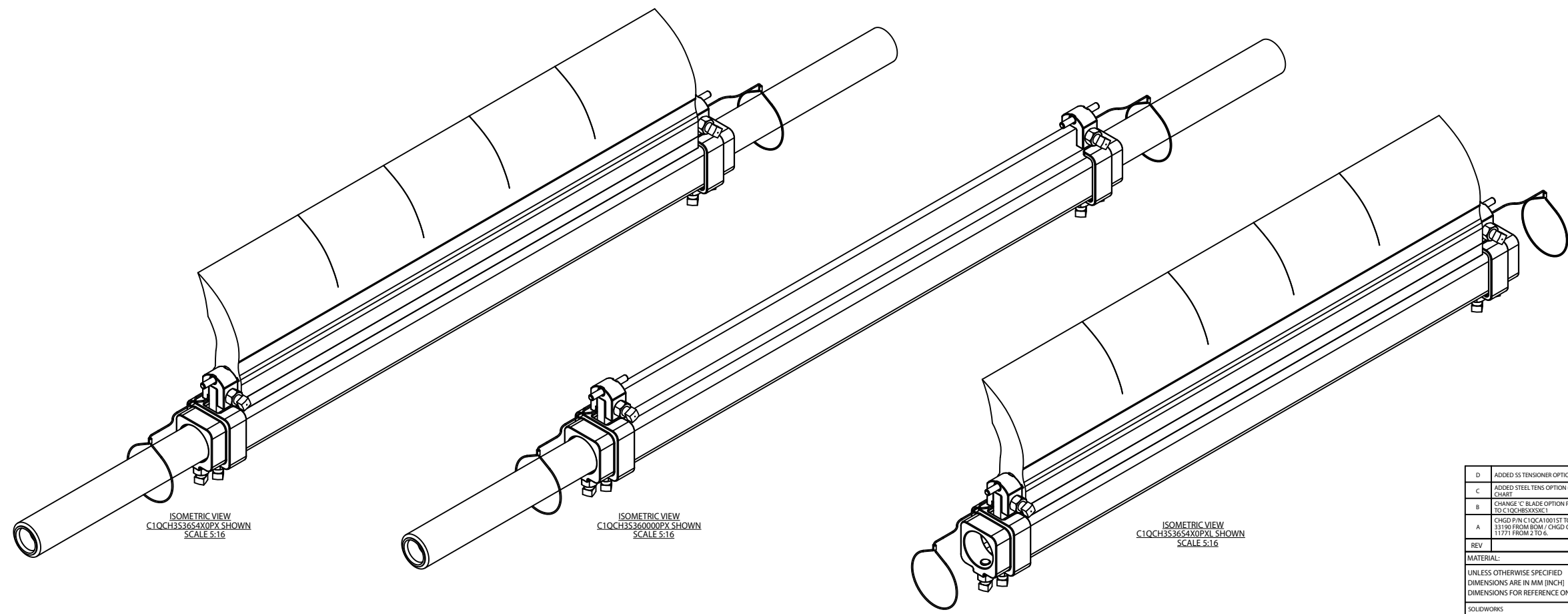
ITEM	QTY.	DESCRIPTION	PART NUMBER
1	1	MAINFRAME WELDMENT	SEE CHART
2	1	QC1+ HD BLADE	SEE CHART
3	2	QC1+ HD BLADE CLAMP	C1QCA10025T
4	2	QC1+ MAINFRAME COLLAR	C1QCA10045T
5	2	TORQUE TUBE	SEE CHART
6	6	SCREW SHS 1/2-13NC X 1-1/4 SS	30488
7	6	NUT HEX 1/2-13NC ZP	11771
8	2	LABEL MARTIN PRODUCTS	38048
9	2	LABEL CONVEYOR PRODUCTS WARNING	23395
10	1	MANUAL OPERATOR'S	M4124
11	1	TENSIONER ASSEMBLY	SEE CHART

NS = NOT SHOWN



C1QCH33654X0PX SHOWN

- NOTES:
- IN THE C1QCH3 PART NUMBER THE "3" REPRESENTS A 3 PC MAINFRAME. THE SIXX INDICATES THE BELT WIDTH IN INCH UNITS FOR BELT WIDTHS 18 THRU 96.
 - S18 = 18 INCHES BELT WIDTH
 - S96 = 96 INCHES BELT WIDTH
 - SA2 = 102 INCHES BELT WIDTH
 - SAB = 108 INCHES BELT WIDTH
 - THE NEXT SX INDICATES THE LESS BELT WIDTH BLADE COVERAGE IN STANDARD INCH UNITS.
 - 00 = NO BLADE
 - S4 = 4 INCHES LESS BELT WIDTH
 - S6 = 6 INCHES LESS BELT WIDTH
 - S8 = 8 INCHES LESS BELT WIDTH
 - THE FOURTH X IN THE PART NUMBER INDICATES THE BLADE COLOR:
 - 0 = NO BLADE
 - B = BROWN
 - T = TAN
 - G = GREEN
 - N = NAVY BLUE
 - O = ORANGE
 - C = YELLOW WITH CERAMIC BEADS (72.00 MAX. BLADE WIDTH)
 - THE FIFTH X INDICATES IF THE BLADE IS SOLID OR SEGMENTED:
 - 0 = SEGMENTED BLADE / NO BLADE
 - 1 = SOLID BLADE / CERAMIC BLADE ONLY AVAILABLE AS SOLID
 - THE P INDICATES A PAINTED STEEL MAINFRAME AND A BLADE WITH AN ALUMINUM EXTRUSION INSERT.
 - THE SIXTH X INDICATES THE TENSIONER OPTIONS:
 - BLANK = NO TENSIONER
 - T = TWIST TENSIONER (38850)
 - S = SPRING TENSIONER (38180)
 - O = STEEL TWIST TENSIONER (31443)
 - P = STAINLESS STEEL SPRING TENSIONER (38180-SS)
 - F = STAINLESS STEEL TWIST TENSIONER (31443-SS)
 - ADD AN L TO THE END OF THE PART NUMBER TO GET A CLEANER LESS THE TORQUE TUBES.
 - A DUAL TWIST OR SPRING TENSIONER IS SUPPLIED FOR BELT WIDTHS 1372 [54.00] AND ABOVE.



D	ADDED SS TENSIONER OPTIONS TO NOTES & CHART	16100	05/03/22	JAH
C	ADDED STEEL TENS OPTION (31443) TO NOTES AND CHART	15840	02/08/21	MH
B	CHANGE 'C' BLADE OPTION P/N FROM C1QCHB53XXSXC1 TO C1QCHB53XXSXC1	15802	12/14/20	ACT
A	CHGD P/N C1QCA10015T TO C1QCA10045T / RMVD P/N 33190 FROM BOM / CHGD QTY. OF P/N 30488 & 11771 FROM 2 TO 6.	15697	07/23/20	MH
REV	DESCRIPTION	ECN	DATE	BY
MATERIAL:		FINISH:	WEIGHT:	
UNLESS OTHERWISE SPECIFIED		X = ±	SURFACE FINISH:	✓
DIMENSIONS ARE IN MM [INCH]		.XX = ±	ANGULAR: ±	
DIMENSIONS FOR REFERENCE ONLY		.XXX = ±	DRAFT ANGLE:	

MARTIN ENGINEERING
NEPONSET, IL USA

DRAWN MH
DATE 05/05/20

CHECKED

ENG. JAH
DATE 05/11/20

IE JSS
DATE 05/12/20

APPROVED JRB
DATE 05/12/20

TITLE

QC1+ HD ASSEMBLY
3 PC MAINFRAME

DRAWING NUMBER

PRI 3950

C1QCH33XXSXXPX

SCALE 5:16