

PART NUMBER	DIM 'A'	DIM 'B'	DIM 'C'	DIM 'D'	DIM '1'	QTY. ITEM 4	QTY. ITEM 5	QTY. IFT.3 ITEM 12	P/N ITEM 1	P/N ITEM 8	P/N ITEM 9	P/N ITEM 20
BUS14092-ABXXXXX	2844.8 [112.00]	1391.5 [54.78]	584.2 [23.00]	3657.6 [144.00]	1597.0 [62.88]	20	32	12.00	BUS14092-FVABX	BUS14092-FHBVABX	BUS14092-RHBVABX	BUS14092-RHBVABX
BUS14092-COXXXXX	2814.6 [124.00]	1543.9 [60.78]	622.3 [24.50]	3962.4 [156.00]	1825.6 [71.88]	22	34	13.00	BUS14092-FVCDX	BUS14092-FHBVCDX	BUS14092-RHBVCDX	BUS14092-RHBVCDX

PART NUMBER	P/N ITEM 1	P/N ITEM 4	P/N ITEM 6	P/N ITEM 7	P/N ITEM 8	P/N ITEM 9	P/N ITEM 13	P/N ITEM 14	P/N ITEM 15	P/N ITEM 16	P/N ITEM 17	P/N ITEM 18	P/N ITEM 19	P/N ITEM 20
BUS14092-XXXXFXX	BUS14092-FWXXF	BUS14092-UCF	3693.0	3692.9	BUS14092-FHBWXXF	BUS14092-RHBWXXAF	16845-316SS	16628-316SS	28817-01F	22894	37422	35913	35914	BUS14092-RHBWXXBF
BUS14092-XXXXSXX	BUS14092-FWXXS	BUS14092-UCS	3693.0	3692.9	BUS14092-FHBWXXS	BUS14092-RHBWXXAS	16845-SS	16628-SS	28817-01S	22894	24310	17152	17151	BUS14092-RHBWXXBS
BUS14092-XXXXTXX	BUS14092-FWXXT	BUS14092-UCT	1657.8	29066	BUS14092-FHBWXXT	BUS14092-RHBWXXAT	16845	16628	28817	M920	11750	31010	11771	BUS14092-RHBWXXBT

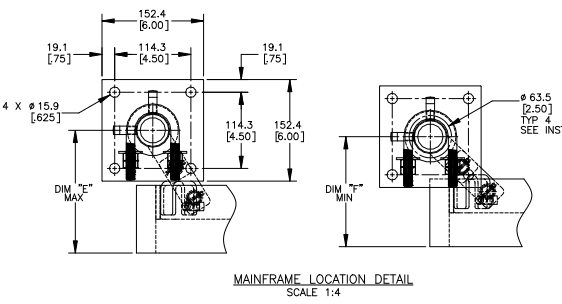
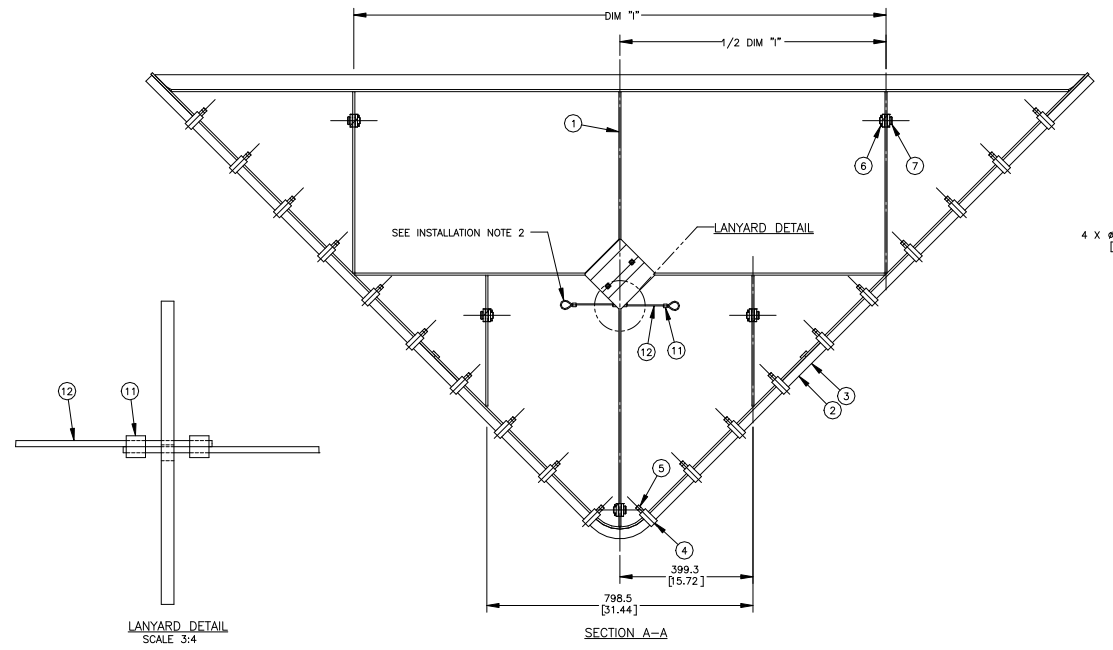
URETHANE BLADE CHART			
PART NO.	P/N ITEM 2	BLADE COLOR	BLADE MATERIAL
BUS14092-XXXXXBLX	31134-XXUBL	BLUE	85 DUROMETER
BUS14092-XXXXXBRX	31134-XXUBR	BROWN	85 DUROMETER
BUS14092-XXXXXGRX	31134-XXUGR	GREEN	95 DUROMETER
BUS14092-XXXXXORX	31134-XXU	ORANGE	90 DUROMETER

ITEM	QTY.	DESCRIPTION	PART NUMBER
1	1	FRAME WELDMENT	SEE CHART
2	2	BLADE URETHANE	SEE BLADE CHART
3	2	BLADE RUBBER	100066
4	4	U-CAMP	SEE CHART
5	5	SCREW SHS 1/2-13NC X 1 SS	22763-03
6	10	PIN COTTER 1/8 X 1	SEE CHART
7	10	PIN CLEVIS 3/4 X 1-1/4	SEE CHART
8	1	FRONT HANGER BAR WELDMENT	SEE CHART
9	1	REAR HANGER BAR WELDMENT	SEE CHART
10	10	PIVOT ARM	SEE ARM CHART
11	4	CLIP CABLE 1/8	23481
12	5	ROPE WIRE 1/8 SS	100107
13	6	LOCKING COLLAR	SEE CHART
14	6	FLANGE MOUNTING PLATE	SEE CHART
15	5	STACKABLE WEIGHT	SEE CHART
16	2	SCREW HHCS 1/2-13NC X 4	SEE CHART
17	2	WASHER COMPRESSION 1/2	SEE CHART
18	2	WASHER FLAT 1/2	SEE CHART
19	2	NUT HEX 1/2-13NC	SEE CHART
20	1	REAR HANGER BAR WELDMENT	SEE CHART
21	1	MOUNTING HARDWARE KIT	38735-2
22	2	LABEL CONVEYOR PRODUCT WARNING	23395
23	2	LABEL PRODUCT MARTIN	32238
24	2	LABEL FLYING OBJECTS WARNING	38227
NS	25	MANUAL OPERATORS	M4168
26	12	WASHER FLAT 1/2 WIDE ZP	SEE CHART
27	6	U-BOLT EXTENDED LG F/2" PIPE 1/2-13NC	SEE CHART

SEE NOTE 3

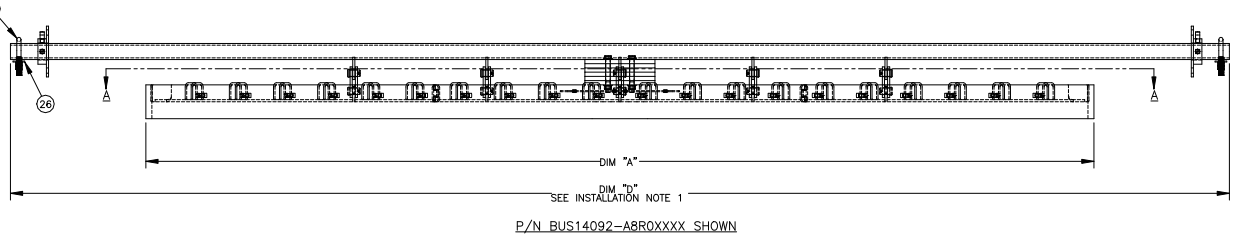
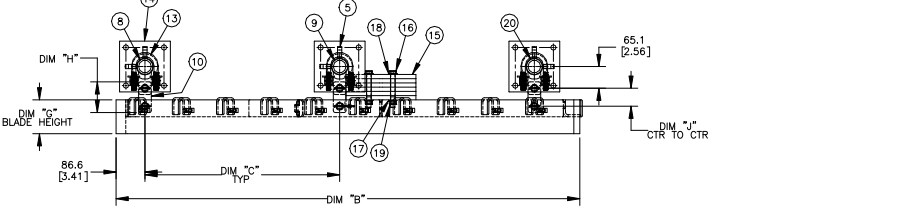
NS = NOT SHOWN  
S/C = SEE CHART  
TYP # = SEE NOTE #  
\*\* = ONLY AVAILABLE FOR U-BOLT KIT

BLADE CHART				
PART NO.	QTY. ITEM 2	QTY. ITEM 3	P/N ITEM 2	BLADE "G" HEIGHT
BUS14092-ABRXX	0	12.96	-----	101.6 [4.00]
BUS14092-ABUXXXXX	1	0	31134-108UXX	100.1 [3.94]
BUS14092-CORXX	0	14.38	-----	101.6 [4.00]
BUS14092-COUXXXXX	1	0	31134-120UXX	100.1 [3.94]



MATERIAL CHART		
ASSEMBLY PART NUMBER	P/N ITEM 26	P/N ITEM 27
BUS14092-XXXXTXX	17328	39071
BUS14092-XXXXSXX	31295	39071C
BUS14092-XXXXFXX	31295	39071C

PIVOT ARM CHART					
PART NO.	P/N ITEM 2	DIM "E" MAX	DIM "F" MIN	DIM "H"	DIM "J"
BUS14092-XXXXXXX	BUS14092-PA00X	184.2 [7.25]	165.1 [6.50]	92.1 [3.63]	54.0 [2.13]
BUS14092-XXXXXXX	BUS14092-PA01X	266.7 [10.50]	247.7 [9.75]	174.6 [6.88]	136.5 [5.38]
BUS14092-XXXXXXX	BUS14092-PA02X	342.9 [13.50]	323.9 [12.75]	250.8 [9.88]	212.7 [8.38]
BUS14092-XXXXXXX	BUS14092-PA03X	447.8 [17.63]	429.8 [16.88]	355.6 [14.00]	317.5 [12.50]
BUS14092-XXXXXXX	BUS14092-PA04X	317.5 [12.50]	298.5 [11.75]	225.4 [8.88]	187.3 [7.38]
BUS14092-XXXXXXX	BUS14092-PA05X	276.4 [10.88]	257.3 [10.13]	177.8 [7.00]	146.1 [5.75]
BUS14092-XXXXXXX	BUS14092-PA06X	304.8 [12.00]	285.8 [11.25]	206.4 [8.13]	174.6 [6.88]
BUS14092-XXXXXXX	BUS14092-PA07X	381.0 [15.00]	362.0 [14.25]	282.6 [11.13]	250.8 [9.88]



- NOTES:
- IN THE PART NUMBER THE FIRST XX INDICATES BELT WIDTH. THE THIRD X INDICATES BLADE TYPE, RUBBER (R) OR URETHANE (U). THE FOURTH X INDICATES ARM LENGTH HEIGHT. USE PIVOT ARM P/N BUS14092-PA00X FOR STANDARD HEIGHT. THE FIFTH X INDICATES MATERIAL TYPE, 316 SS (F), 304 SS (S) OR PAINTED STEEL (T). THE NEXT XX INDICATES MATERIAL FOR URETHANE BLADES, IF APPLICABLE. THE LAST X INDICATES U-BOLT OPTION KIT FOR MOUNTING. BLANK = NO OPTION. C = U-BOLT KIT.
  - ASSEMBLE BLADE WITH SLOT GROOVES TO BACKSIDE (APPLIES TO URETHANE BLADE ONLY).
  - LANYARD NEEDS TO BE CUT IN HALF AND SPLICED TOGETHER USING TWO CABLE CLIPS, ONE ON EACH SIDE OF CENTER SUPPORT. TOLERANCE FOR CUTTING LANYARD IS ±1.5 [0.06].
  - TOLERANCE FOR CUTTING RUBBER BLADE IS ±1.5 [0.06].
  - ITEMS ARE TO BE PLACED LOOSE AND SHIPPED IN A BOX. (WARNING LABELS P/N 23395 AND P/N 38227 ARE TO BE PLACED ON BOTH SIDES OF THE CONVEYOR).
- INSTALLATION NOTES:
- HANGER BAR IS LONGER THAN REQUIRED, FIELD MODIFY LENGTH FOR PROPER MOUNTING.
  - LOOSE END OF LANYARD IS TO BE FASTENED TO STRINGER OR OTHER CONVEYOR STRUCTURE.
  - REFER TO OPERATORS MANUAL FOR PROPER INSTALLATION, MAINTENANCE INSTRUCTIONS AND REPLACEMENT PARTS.
  - V-FLOW IS DESIGNED FOR TAIL PULLEY PROTECTION ONLY, NOT FOR HANDLING MATERIAL CARRYBACK.
  - IF MOUNTED THROUGH STRINGER OR STEEL PLATE, DRILL OR CUT (4) 63.5 [2.50] HOLES FOR THE TWO HANGER BARS.

SHEET 3 OF 3

© Copyright 2021 Martin Engineering. All rights reserved. Covered by U.S. and foreign patents pending and issued. "CE" and "TM" indicate trademarks of Martin Engineering.

<p>ON SPTS 1-3 CAD DWG P/N FROM BUS14092-XXXXXX TO BUS14092-XXXXXXX URETHANE BLADES. SEE MATERIAL CHART / ADDED U-BOLT OPTION TO NOTES.</p> <p>REV DESCRIPTION ECN DATE BY</p> <p>MATERIAL: _____ FINISH: _____ WEIGHT: _____</p> <p>UNLESS OTHERWISE SPECIFIED TOLERANCES IN MM [INCH]: SURFACE FINISH: _____</p> <p>DIMENSIONS ARE IN MM [INCH]: ANGULAR: ± _____</p> <p>DRAFT ANGLE: _____</p> <p>SOLIDWORKS SUPERSEDES SAME SIZE SAME DATE</p>	<p>16245 12/22/22 MH</p> <p>MARTIN ENGINEERING NEPONSET, IL USA</p> <p>HD V-PILOW BELT WIDTH 108.00 &amp; 120.00</p> <p>DRAWING NUMBER: BUS14092-XXXXXXX</p> <p>SCALE: 1:8</p>	<p>DRAWN: JMH</p> <p>DATE: 01/28/21</p> <p>ENG: JMH</p> <p>DATE: 02/02/21</p> <p>CHK: JMH</p> <p>DATE: 02/09/21</p> <p>APPROVED: JMH</p> <p>DATE: 02/12/21</p> <p>SCALE: 1:8</p>
--	--	--