

| PART NUMBER | DIM "A" | DIM "B" | DIM "C" | DIM "D" | DIM "I" | QTY. ITEM 4 | QTY. ITEM 5 | QTY. [FT.] ITEM 12 | P/N ITEM 1 | P/N ITEM 8 | P/N ITEM 9 | P/N ITEM 15 |
|-------------------|----------------|---------------|---------------|----------------|---------------|-------------|-------------|--------------------|----------------|------------------|------------------|-------------|
| BUS14092-18XXXXXX | 546.1 [21.50] | 242.1 [9.53] | 80.8 [3.18] | 1524.0 [60.00] | 225.4 [8.88] | 4 | 12 | 5.00 | BUS14092-FW18X | BUS14092-FHBW24X | BUS14092-RHBW18X | 38735-1 |
| BUS14092-24XXXXXX | 698.5 [27.50] | 318.3 [12.53] | 166.6 [6.56] | 1524.0 [60.00] | 377.8 [14.88] | 4 | 12 | 5.00 | BUS14092-FW24X | BUS14092-FHBW24X | BUS14092-RHBW24X | 38735 |
| BUS14092-30XXXXXX | 850.9 [33.50] | 394.5 [15.53] | 203.2 [8.00] | 1727.2 [68.00] | 428.6 [16.88] | 6 | 14 | 5.67 | BUS14092-FW30X | BUS14092-FHBW36X | BUS14092-RHBW30X | 38735 |
| BUS14092-36XXXXXX | 1003.3 [39.50] | 470.7 [18.53] | 279.4 [11.00] | 1727.2 [68.00] | 581.0 [22.88] | 6 | 14 | 5.67 | BUS14092-FW36X | BUS14092-FHBW36X | BUS14092-RHBW36X | 38735 |
| BUS14092-42XXXXXX | 1155.7 [45.50] | 546.9 [21.53] | 355.6 [14.00] | 2082.8 [82.00] | 631.8 [24.88] | 8 | 16 | 6.83 | BUS14092-FW42X | BUS14092-FHBW48X | BUS14092-RHBW42X | 38735 |
| BUS14092-48XXXXXX | 1308.1 [51.50] | 623.1 [24.53] | 431.8 [17.00] | 2082.8 [82.00] | 784.2 [30.88] | 8 | 16 | 6.83 | BUS14092-FW48X | BUS14092-FHBW48X | BUS14092-RHBW48X | 38735 |

| PART NUMBER | P/N ITEM 1 | P/N ITEM 4 | P/N ITEM 6 | P/N ITEM 7 | P/N ITEM 8 | P/N ITEM 9 | P/N ITEM 13 |
|-------------------|----------------|--------------|------------|------------|------------------|------------------|-------------|
| BUS14092-XXXXFXXX | BUS14092-FWXXF | BUS14092-UCF | 36930 | 36929 | BUS14092-FHBWXXF | BUS14092-RHBWXXF | 16845-316SS |
| BUS14092-XXXXSXXX | BUS14092-FWXXS | BUS14092-UCS | 36930 | 36929 | BUS14092-FHBWXXS | BUS14092-RHBWXXS | 16845-SS |
| BUS14092-XXXXTXXX | BUS14092-FWXXT | BUS14092-UCT | 16578 | 29066 | BUS14092-FHBWXXT | BUS14092-RHBWXXT | 16845 |

| PART NUMBER | P/N ITEM 14 BELT WIDTH 18 | P/N ITEM 14 BELT WIDTH 24 THRU 48 |
|-------------------|---------------------------|-----------------------------------|
| BUS14092-XXXXFXXX | 30208-316SS | 16628-316SS |
| BUS14092-XXXXSXXX | 30208-SS | 16628-SS |
| BUS14092-XXXXTXXX | 30208 | 16628 |

| URETHANE BLADE CHART | | | |
|----------------------|-------------|-------------|----------------|
| PART NO. | P/N ITEM 2 | BLADE COLOR | BLADE MATERIAL |
| BUS14092-XXXXXBLX | 31134-XXUBL | BLUE | 85 DUROMETER |
| BUS14092-XXXXXBRX | 31134-XXUBR | BROWN | 85 DUROMETER |
| BUS14092-XXXXXGRX | 31134-XXUGR | GREEN | 95 DUROMETER |
| BUS14092-XXXXXORX | 31134-XXU | ORANGE | 90 DUROMETER |

| BLADE CHART | | | | |
|------------------|-------------|-------------------|-------------|----------------------|
| PART NO. | QTY. ITEM 2 | QTY. [FT.] ITEM 3 | P/N ITEM 2 | DIM "G" BLADE HEIGHT |
| BUS14092-18RXX | 0 | 2.25 | ----- | 101.6 [4.00] |
| BUS14092-18UXXXX | 1 | 0 | 31134-18UXX | 100.1 [3.94] |
| BUS14092-24RXX | 0 | 2.96 | ----- | 101.6 [4.00] |
| BUS14092-24UXXXX | 1 | 0 | 31134-24UXX | 100.1 [3.94] |
| BUS14092-30RXX | 0 | 3.67 | ----- | 101.6 [4.00] |
| BUS14092-30UXXXX | 1 | 0 | 31134-30UXX | 100.1 [3.94] |
| BUS14092-36RXX | 0 | 4.37 | ----- | 101.6 [4.00] |
| BUS14092-36UXXXX | 1 | 0 | 31134-36UXX | 100.1 [3.94] |
| BUS14092-42RXX | 0 | 5.08 | ----- | 101.6 [4.00] |
| BUS14092-42UXXXX | 1 | 0 | 31134-42UXX | 100.1 [3.94] |
| BUS14092-48RXX | 0 | 5.79 | ----- | 101.6 [4.00] |
| BUS14092-48UXXXX | 1 | 0 | 31134-48UXX | 100.1 [3.94] |

| ITEM | QTY. | DESCRIPTION | PART NUMBER |
|------|---------------|---------------------------------------|-----------------|
| 1 | 1 | FRAME WELDMENT | SEE CHART |
| 2 | SEE BLD CHART | BLADE URETHANE | SEE BLADE CHART |
| 3 | SEE BLD CHART | BLADE RUBBER | 100066 |
| 4 | S/C | U-CLAMP | SEE CHART |
| 5 | S/C | SCREW SHS 1/2-13NC X 1 SS | 22763-03 |
| 6 | 6 | PIN COTTER 1/8 X 1 | SEE CHART |
| 7 | 6 | PIN CLEVIS 3/4 X 1-1/4 | SEE CHART |
| 8 | 1 | FRONT HANGER BAR WELDMENT | SEE CHART |
| 9 | 1 | REAR HANGER BAR WELDMENT | SEE CHART |
| 10 | 6 | PIVOT ARM | SEE ARM CHART |
| 11 | 4 | CLIP CABLE 1/8 | 23481 |
| 12 | S/C | ROPE WIRE 1/8 SS | 100107 |
| 13 | 4 | LOCKING COLLAR | SEE CHART |
| 14 | 4 | FLANGE MOUNTING PLATE | SEE CHART |
| 15 | 1 | MOUNTING HARDWARE KIT | SEE CHART |
| 16 | 2 | LABEL CONVEYOR PRODUCT WARNING | 23395 |
| 17 | 2 | LABEL MARTIN PRODUCT | 32238 |
| 18 | 2 | LABEL FLYING OBJECTS WARNING | 38227 |
| 19 | 1 | MANUAL OPERATORS | M4168 |
| 20 | 8 | WASHER FLAT 1/2 WIDE ZP | SEE CHART |
| 21 | 4 | U-BOLT EXTENDED LG F/2" PIPE 1/2-13NC | SEE CHART |

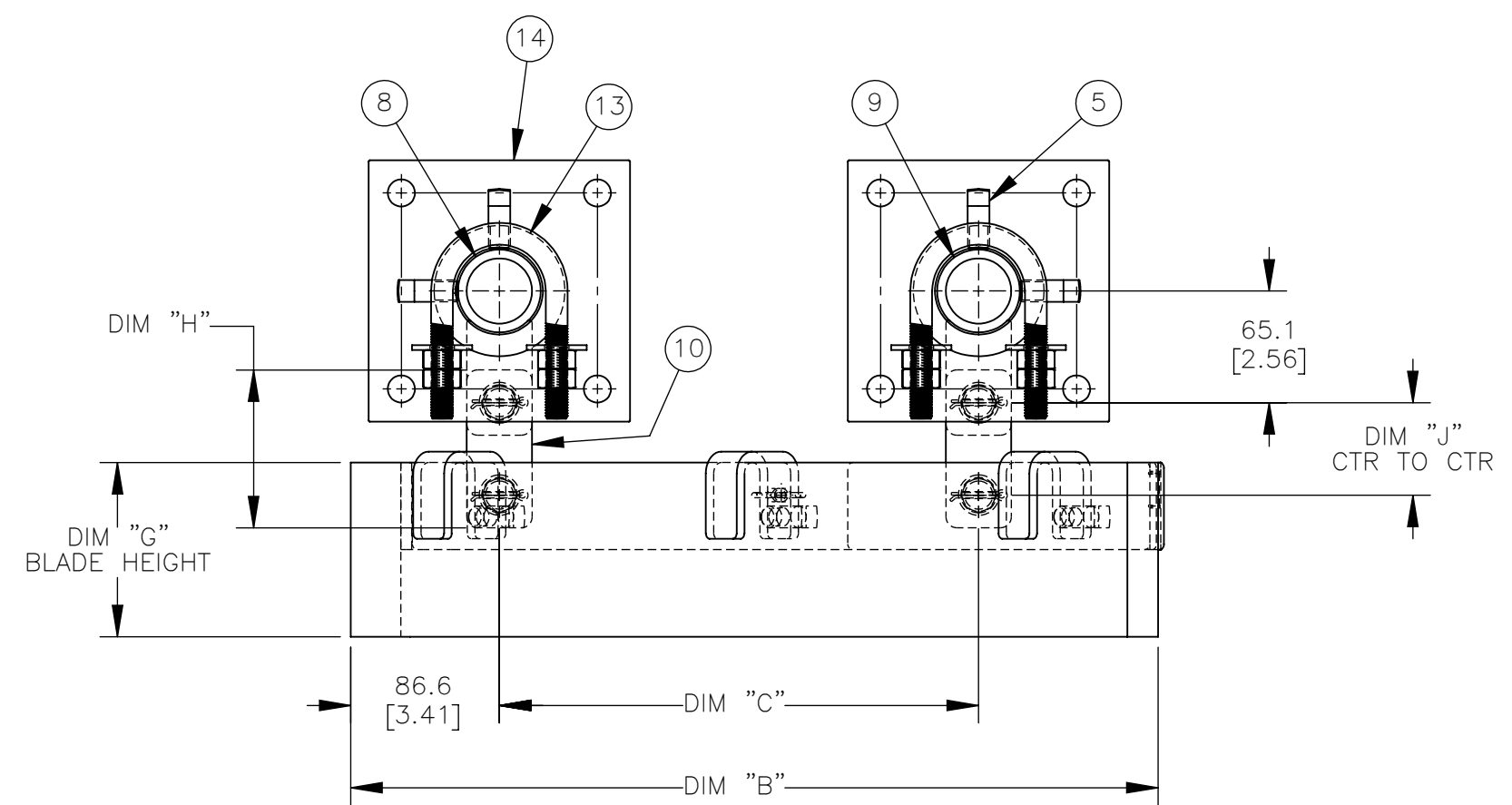
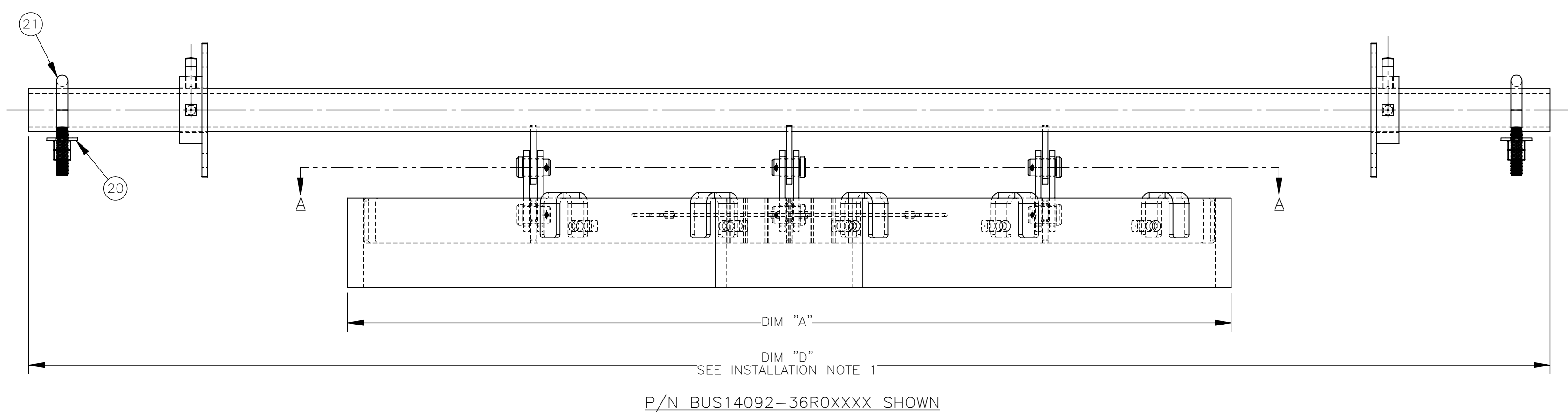
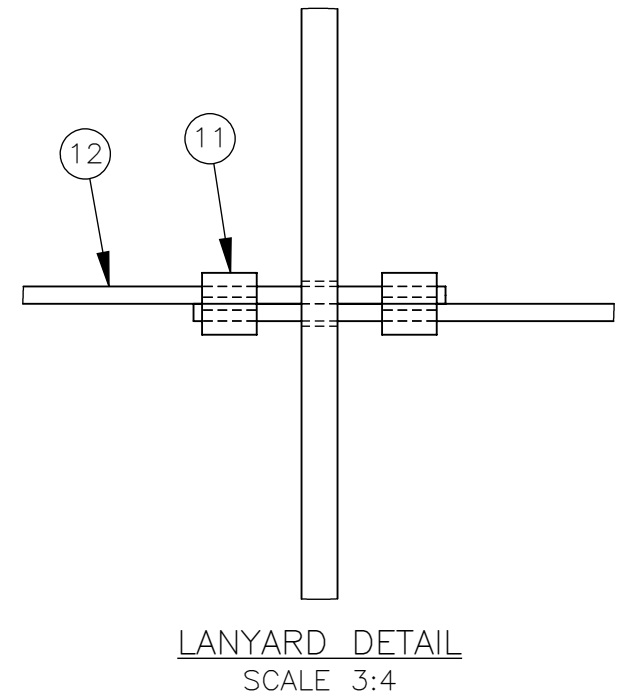
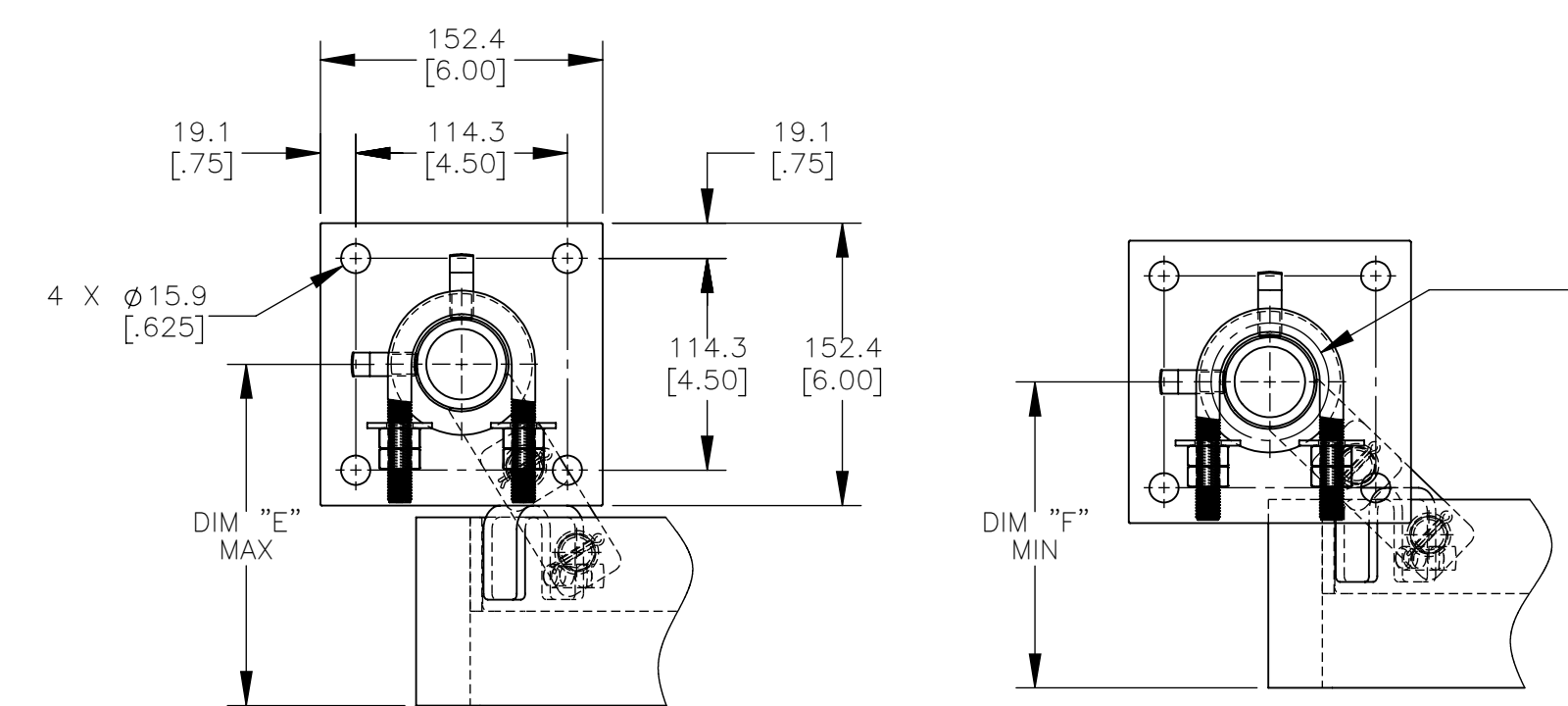
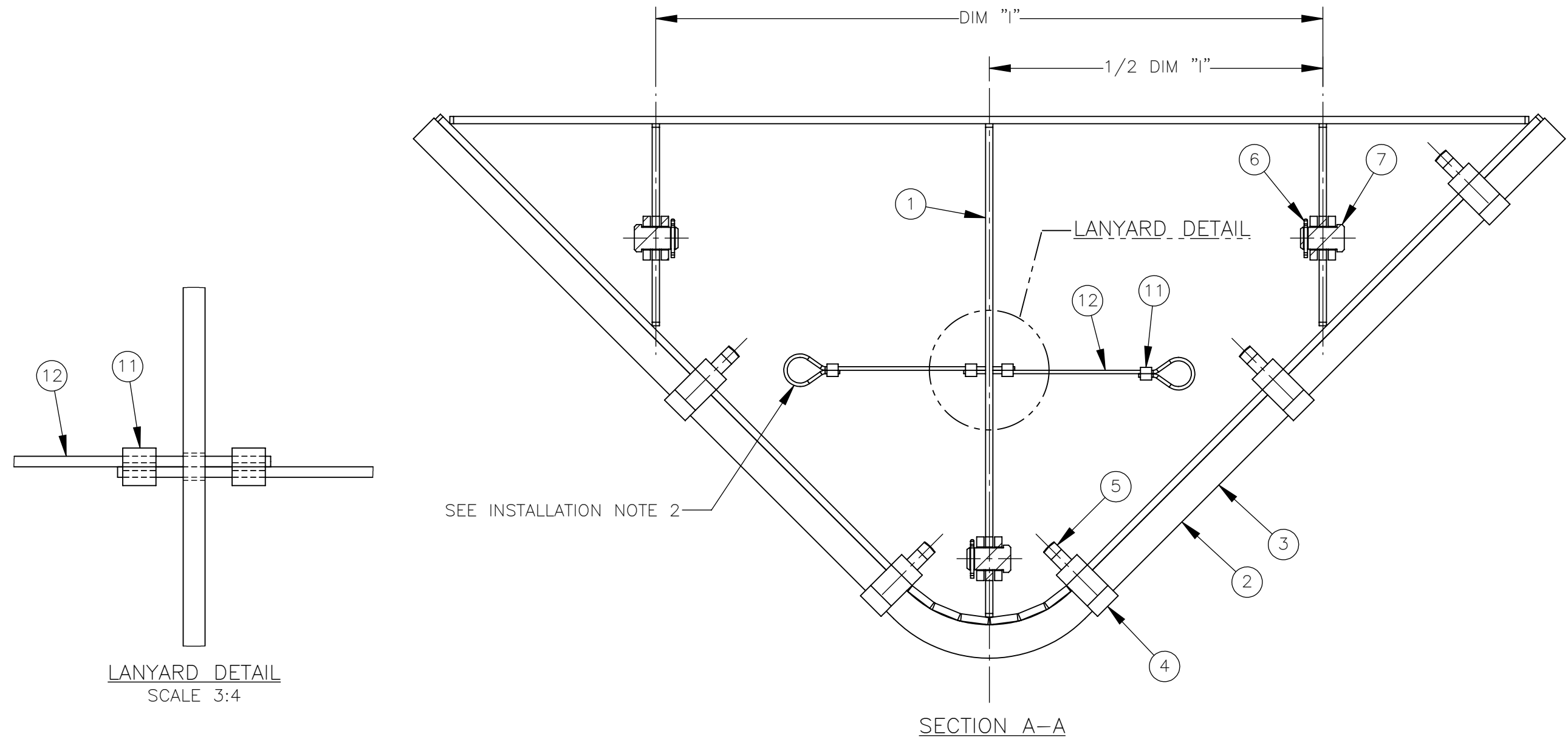
SEE NOTE 4

SEE NOTE 3

NS = NOT SHOWN
S/C = SEE CHART
* = SEE NOTE 6
** = ONLY AVAILABLE FOR U-BOLT KIT

| MATERIAL CHART | | |
|----------------------|-------------|-------------|
| ASSEMBLY PART NUMBER | P/N ITEM 20 | P/N ITEM 21 |
| BUS14092-XXXXTXXC | 17328 | 39071 |
| BUS14092-XXXXSXXC | 31295 | 39071C |
| BUS14092-XXXXFXXC | 31295 | 39071C |

| PIVOT ARM CHART | | | | | |
|-------------------|----------------|---------------|---------------|---------------|---------------|
| PART NO. | P/N ITEM 10 | DIM "E" MAX | DIM "F" MIN | DIM "H" | DIM "J" |
| BUS14092-XXXQXXXX | BUS14092-PA00X | 184.2 [7.25] | 165.1 [6.50] | 92.1 [3.63] | 54.0 [2.13] |
| BUS14092-XXX1XXXX | BUS14092-PA01X | 266.7 [10.50] | 247.7 [9.75] | 174.6 [6.88] | 136.5 [5.38] |
| BUS14092-XXX2XXXX | BUS14092-PA02X | 342.9 [13.50] | 323.9 [12.75] | 250.8 [9.88] | 212.7 [8.38] |
| BUS14092-XXX3XXXX | BUS14092-PA03X | 447.8 [17.63] | 428.8 [16.88] | 355.6 [14.00] | 317.5 [12.50] |
| BUS14092-XXX4XXXX | BUS14092-PA04X | 317.5 [12.50] | 298.5 [11.75] | 225.4 [8.88] | 187.3 [7.38] |
| BUS14092-XXX5XXXX | BUS14092-PA05X | 276.4 [10.88] | 257.3 [10.13] | 177.8 [7.00] | 146.1 [5.75] |
| BUS14092-XXX6XXXX | BUS14092-PA06X | 304.8 [12.00] | 285.8 [11.25] | 206.4 [8.13] | 174.6 [6.88] |
| BUS14092-XXX7XXXX | BUS14092-PA07X | 381.0 [15.00] | 362.0 [14.25] | 282.6 [11.13] | 250.8 [9.88] |



- NOTES:
- IN THE PART NUMBER THE FIRST XX INDICATES BELT WIDTH, THE THIRD X INDICATES BLADE TYPE, RUBBER (R) OR URETHANE (U) THE FOURTH X INDICATES ARM LENGTH HEIGHT, USE PIVOT ARM P/N BUS14092-PA00X FOR STANDARD HEIGHT THE FIFTH X INDICATES MATERIAL TYPE, 316 SS (F), 304 SS (S) OR PAINTED STEEL (T) THE NEXT XX INDICATES MATERIAL FOR URETHANE BLADES, IF APPLICABLE. THE LAST X INDICATES U-BOLT OPTION KIT FOR MOUNTING. BLANK = NO OPTION C = U-BOLT KIT
 - ASSEMBLE BLADE WITH SLOT GROOVES TO BACKSIDE (APPLIES TO URETHANE BLADE ONLY).
 - FOR BELT WIDTH 18.00, USE MOUNTING FLANGE P/N 30208-XXXX. FOR BELT WIDTH 24.00 THRU 48.00 USE MOUNTING FLANGE P/N 16628-XXXX.
 - LANYARD NEEDS TO BE CUT IN HALF AND SPLICED TOGETHER USING TWO CABLE CLIPS, ONE ON EACH SIDE OF CENTER SUPPORT. TOLERANCE FOR CUTTING LANYARD IS ±1.5 [0.06].
 - TOLERANCE FOR CUTTING RUBBER BLADE IS ±1.5 [0.06].
 - ITEMS ARE TO BE PLACED LOOSE AND SHIPPED IN A BOX. (WARNING LABELS P/N 23395 AND P/N 38227 ARE TO BE PLACED ON BOTH SIDES OF THE CONVEYOR).

- INSTALLATION NOTES:
- HANGER BAR IS LONGER THAN REQUIRED, FIELD MODIFY LENGTH FOR PROPER MOUNTING.
 - LOOSE END OF LANYARD TO BE FASTENED TO STRINGER OR OTHER CONVEYOR STRUCTURE.
 - REFER TO OPERATORS MANUAL FOR PROPER INSTALLATION, MAINTENANCE INSTRUCTIONS AND REPLACEMENT PARTS.
 - V-PIVOT IS DESIGNED FOR TAIL PULLEY PROTECTION ONLY, NOT FOR HANDLING MATERIAL CARRYBACK.
 - IF MOUNTED THROUGH STRINGER OR STEEL PLATE, DRILL OR CUT (4) 63.5 [2.50] HOLES FOR THE TWO HANGER BARS.

SHEET 1 OF 3

Copyright 2021 Martin Engineering. All rights reserved. Covered by U.S. and foreign patents pending and issued. ® and TM indicate trademarks of Martin Engineering.

| | | | | |
|---|-------------|---|----------|------------------------------|
| | | MARTIN ENGINEERING NEPONSET, IL USA | | DRAWN: JAH DATE: 01/28/21 |
| ON SHTS (1-3) CHGD DWG P/N FROM BUS14092-XXXXXX TO BUS14092-XXXXXX / ADDED P/N'S 39071, 39071C, 17328 & 31295 TO BOM & MATERIAL CHART / ADDED U-BOLT OPTION TO NOTES. | | 16245 | 12/22/22 | MH |
| REV | DESCRIPTION | ECN | DATE | BY |
| MATERIAL: - | FINISH: - | WEIGHT: - | | |
| UNLESS OTHERWISE SPECIFIED TOLERANCES IN MM [INCH]: SURFACE FINISH: ✓ | | | | |
| DIMENSIONS ARE IN MM [INCH] .X = ±. ANGULAR: ±. | | | | |
| DIMENSIONS FOR REFERENCE ONLY .XX = ±. DRAFT ANGLE: - | | | | |
| DIMENSIONS FOR REFERENCE ONLY .XXX = ±. | | | | |
| SOLIDWORKS | | SUPERSEDES SAME SIZE SAME DATE | | |

| | | |
|----------------|--|---------------------|
| TITLE | HD V-PIVOT BELT WIDTH 18.00 THRU 48.00 | ENG. DATE: 02/02/21 |
| DRAWING NUMBER | BUS14092-BUS14092-XXXXXX | I.E. DATE: 02/09/21 |
| APPROVED | JRB | DATE: 02/12/21 |
| SCALE | 1:4 | |