

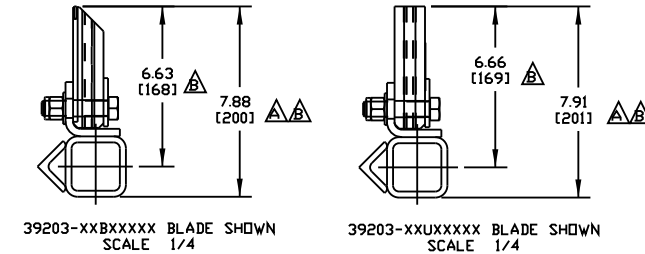
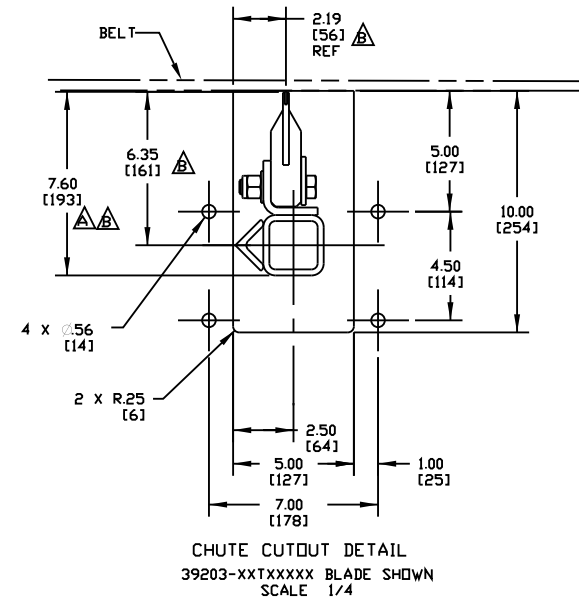
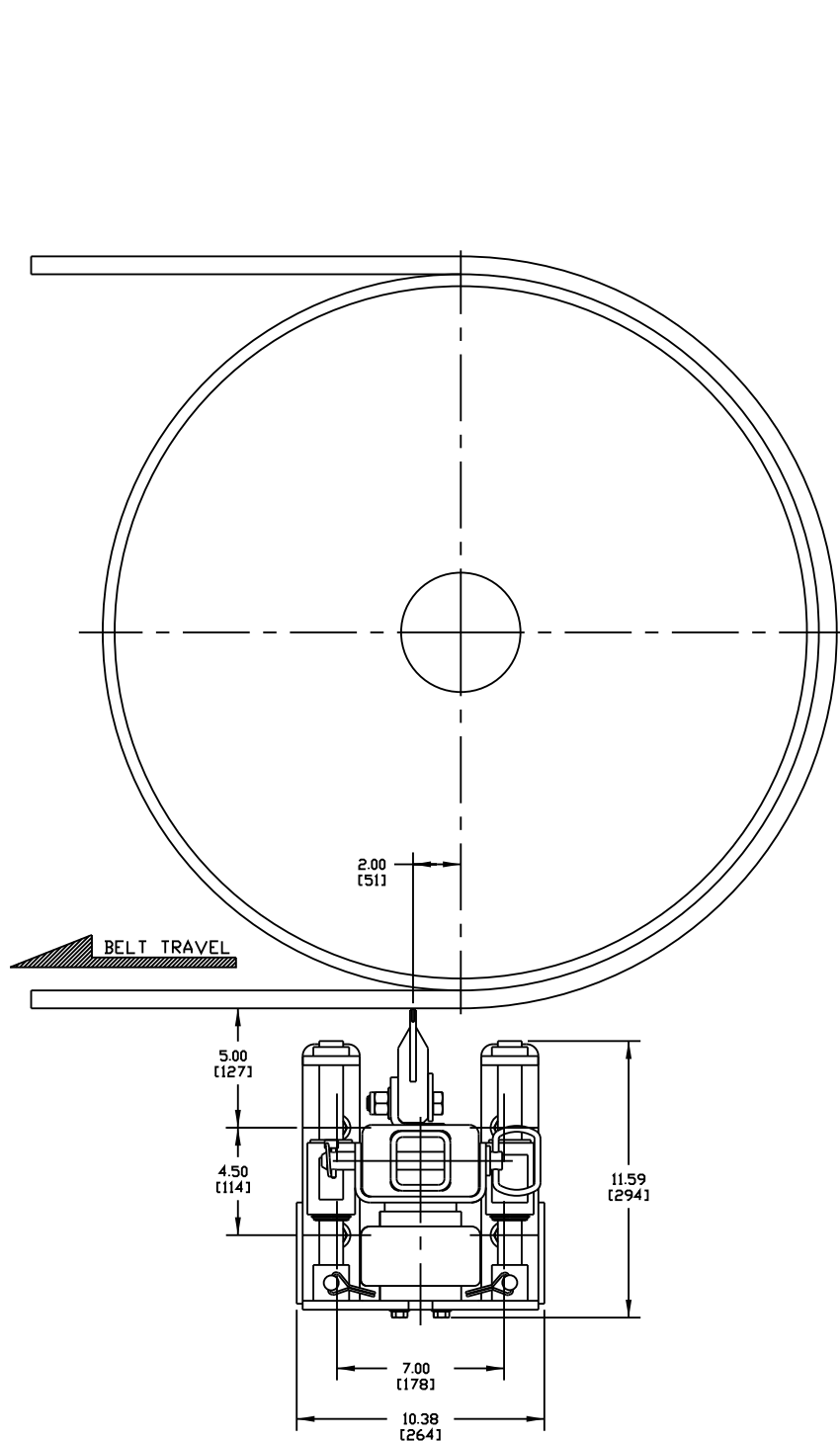
PART NO.	DIM "A" FRAME LENGTH	DIM "B" BLADE COVERAGE	BLADE QTY
39203-42X36XXX	114.00 [2896]	36.00 [914]	6
39203-42X42XXX	114.00 [2896]	42.00 [1067]	7
39203-48X42XXX	120.00 [3048]	42.00 [1067]	7
39203-48X48XXX	120.00 [3048]	48.00 [1219]	8
39203-54X48XXX	126.00 [3201]	48.00 [1219]	8
39203-54X54XXX	126.00 [3201]	54.00 [1372]	9
39203-60X54XXX	132.00 [3353]	54.00 [1372]	9
39203-60X60XXX	132.00 [3353]	60.00 [1524]	10
39203-66X60XXX	138.00 [3505]	60.00 [1524]	10
39203-66X66XXX	138.00 [3505]	66.00 [1676]	11

BLADE CHART		
ASSEMBLY P/N	BLADE P/N	BLADE DESCRIPTION
39203-XXBXXXXX	35797-CLT	URETHANE BLADE W/BACKING PLATE W/TC INSERT
39203-XXTXXXXX	35797-CLTF	URETHANE BLADE W/TC INSERT
39203-XXUXXXXX	35797-CL	URETHANE BLADE

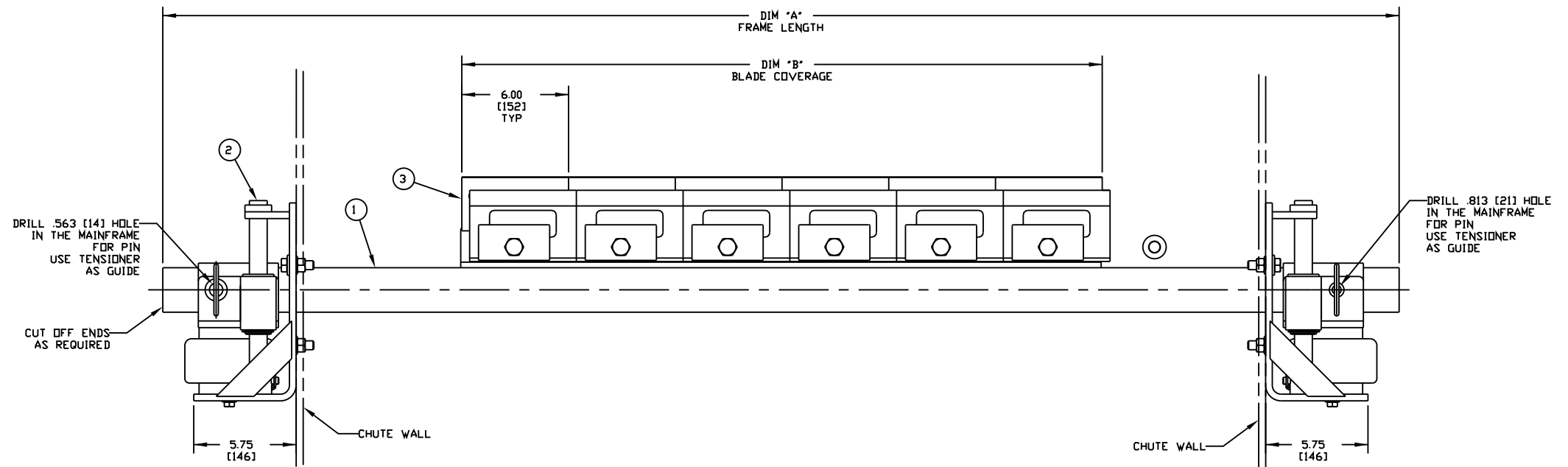
TENSIONING CHART	
BELT WIDTH	REQUIRED PRESSURE PSI (BAR)
42 [1000-1200]	4 [0.28]
48 [1200-1400]	4 [0.28]
54 [1400-1600]	5 [0.34]
60 [1600-1800]	6 [0.41]
66 [1600-1800]	6 [0.41]

ITEM	QTY.	DESCRIPTION	PART NUMBER
1	1	DT2S RETROFIT CLEANER ASM	39203-XXXXXXX
2	1	DT2S RETROFIT AIR TENSIONER	37707-RA
3	S/C	REPLACEMENT BLADE	SEE CHART

S/C = SEE CHART



- NOTES:
- 1) ALL DIMENSIONS ARE GIVEN IN INCHES (MM).
 - 2) ALL DIMENSIONS ARE FOR REFERENCE PURPOSES ONLY.
 - 3) BOLT OR WELD TENSIONER ASSEMBLY IN PLACE. BOLT TENSIONERS WHEN APPLICABLE FOR EASE OF MAINTENANCE AND ACCESSIBILITY.
 - 4) CENTER BLADES ON BELT SURFACE.
 - 5) WHERE EXTREME OR UNUSUAL CONDITIONS EXIST OR SPECIAL MAINFRAME LENGTHS ARE REQUIRED CONSULT MARTIN ENGINEERING FOR ASSISTANCE.
 - 6) CLEANER MUST BE MOUNTED WITH BLADES PERPENDICULAR TO BELT SURFACE.
 - 7) THE FIRST -XX IN SUFFIX INDICATES BELT WIDTH. THE NEXT X INDICATES BLADE TYPE:
 0 = NO BLADES
 B = URETHANE BLADE WITH BACKING PLATE WITH TC INSERT
 T = URETHANE BLADE WITH TC INSERT
 U = URETHANE BLADE
 THE NEXT XX INDICATES BLADE COVERAGE.
 THE NEXT X INDICATES MAINFRAME TYPE:
 P = PAINTED STANDARD DUTY
 C = 304 STAINLESS STEEL
 S = 316 STAINLESS STEEL
 THE NEXT X INDICATES IF A TENSIONER IS INCLUDED
 BLANK = NO TENSIONER
 A = AIR BAG TENSIONER
 S = SPRING TENSIONER
 T = SCREW TYPE TENSIONER PAINTED STEEL
 N = SCREW TYPE TENSIONER 316 SS
 H = HEAVY SCREW TYPE TENSIONER PAINTED STEEL
 G = HEAVY SCREW TYPE TENSIONER 316 SS
 THE LAST X INDICATES IF ADDITIONAL OPTIONS ARE INCLUDED
 BLANK = NO ADDITIONAL OPTIONS
 D = DUST TIGHT COVER DOOR PAINTED STEEL
 (ONLY AVAILABLE WITH T, H, N, AND G STYLE TENSIONERS)



Copyright 2016 Martin Engineering. All rights reserved. Covered by U.S. and Foreign patents pending and issued. R and TM indicate trademarks of Martin Engineering.

MARTIN ENGINEERING
NEPONSET, IL USA

TITLE	DT2S RETROFIT ASM WITH AIR TENSIONER	DRAWN	RND
DATE	02/13/14	CHECKED	MJB
ENG.	MJB	DATE	02/18/14
APPROVED	DM	DATE	02/18/14
SCALE	1/4		

NO.	DESCRIPTION	ECN	DATE	BY
B	CHGD DIMS FROM 213 TO 219, 629 TO 635, 754 TO 760, 657 TO 663, 782 TO 788, 660 TO 666 & 785 TO 791	14511	03/29/16	MJB
A	UPDATED P/N 39203-XXXXXXX PICTORIALY. CHGD DIMS FROM 870, 898, & 901 TO 754, 782, & 785	14015	07/31/14	RND

SALES DRAWING
M00865 S50107-A

