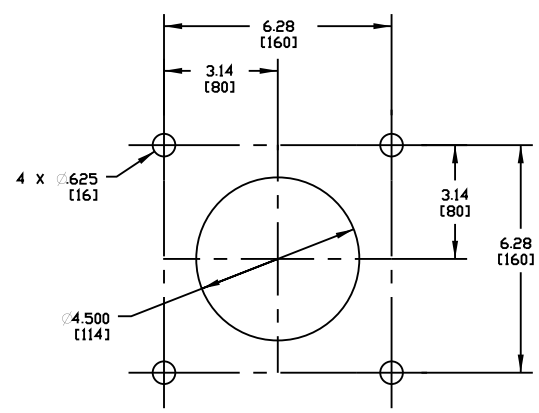


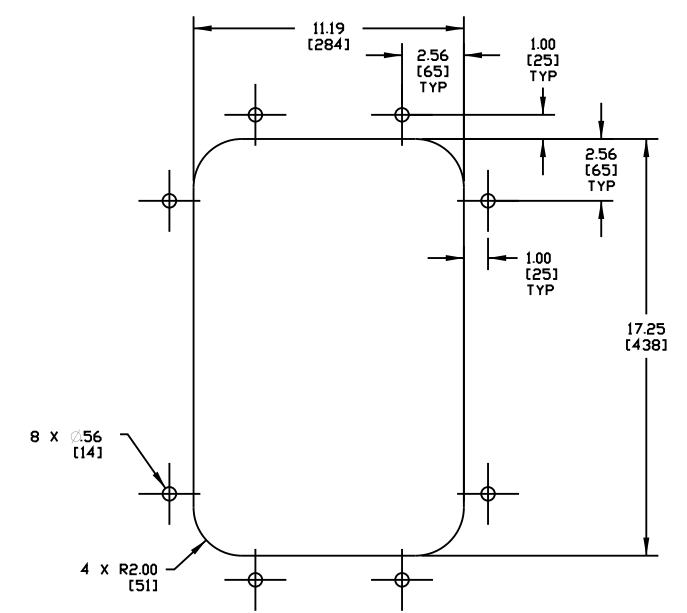
ITEM	QTY.	DESCRIPTION	PART NUMBER
1	1	MARTIN QC #1 HD MAX ASSEMBLY	SEE CHART
2	1	MARTIN HD MAX SPRING TENSIONER	38947-2
3	1	MARTIN LOW PROFILE ACCESS DOOR	CYA-1218

PART NO.	BELT WIDTH	DIM "A" MAX FRAME LENGTH	DIM "B" BLADE COVERAGE
38926-48XX42XXX	48.00 [1200-1400]	96.00 [2438]	42.00 [1067]
38926-54XX42XXX	54.00 [1400-1600]	102.00 [2591]	42.00 [1067]
38926-54XX48XXX	54.00 [1400-1600]	102.00 [2591]	48.00 [1219]
38926-60XX48XXX	60.00 [1600-1800]	108.00 [2743]	48.00 [1219]
38926-60XX54XXX	60.00 [1600-1800]	108.00 [2743]	54.00 [1372]
38926-66XX54XXX	66.00 [1700-1800]	114.00 [2896]	54.00 [1372]
38926-66XX60XXX	66.00 [1700-1800]	114.00 [2896]	60.00 [1524]
38926-72XX60XXX	72.00 [1800-2000]	120.00 [3048]	60.00 [1524]
38926-72XX66XXX	72.00 [1800-2000]	120.00 [3048]	66.00 [1676]

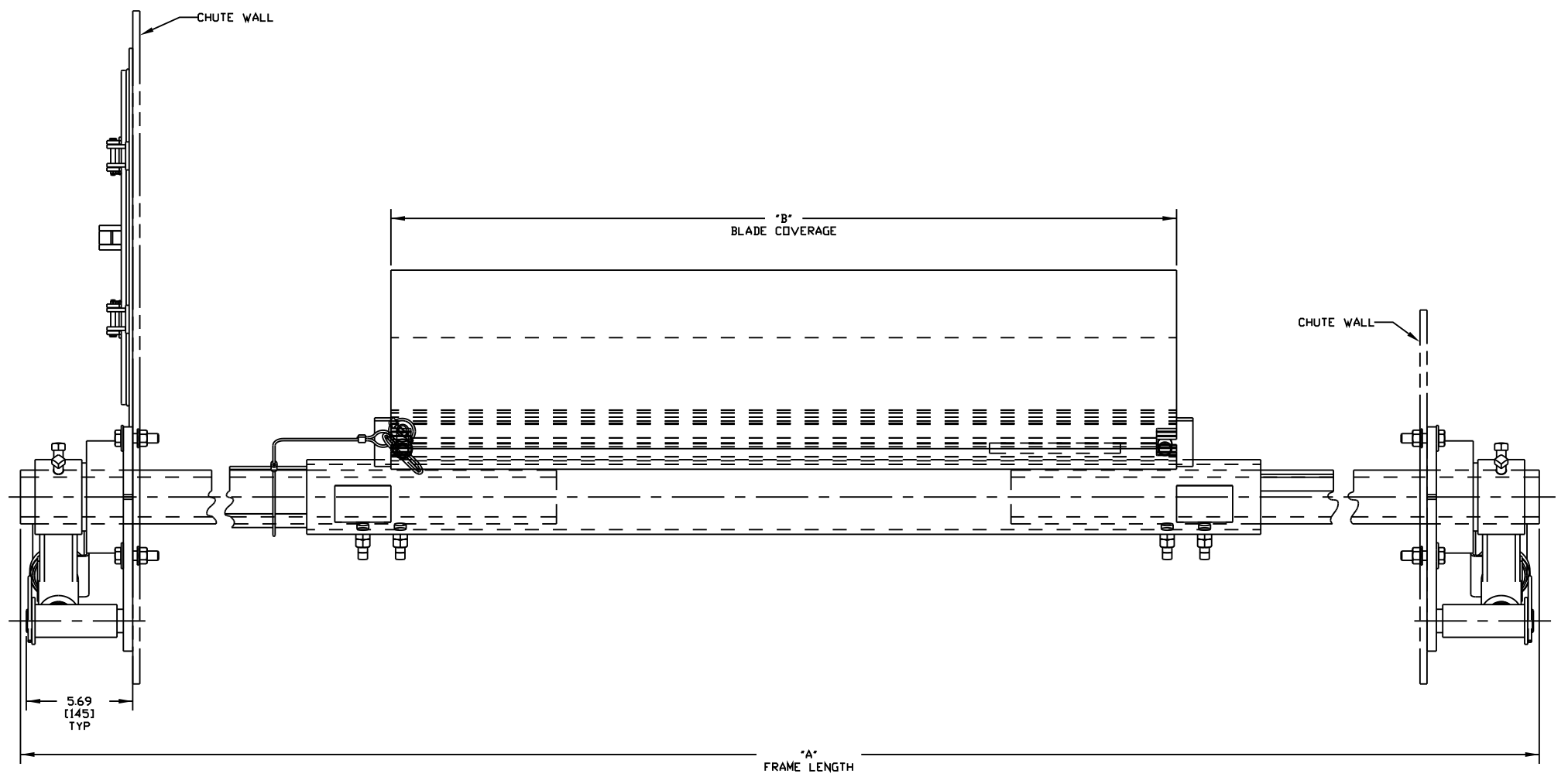
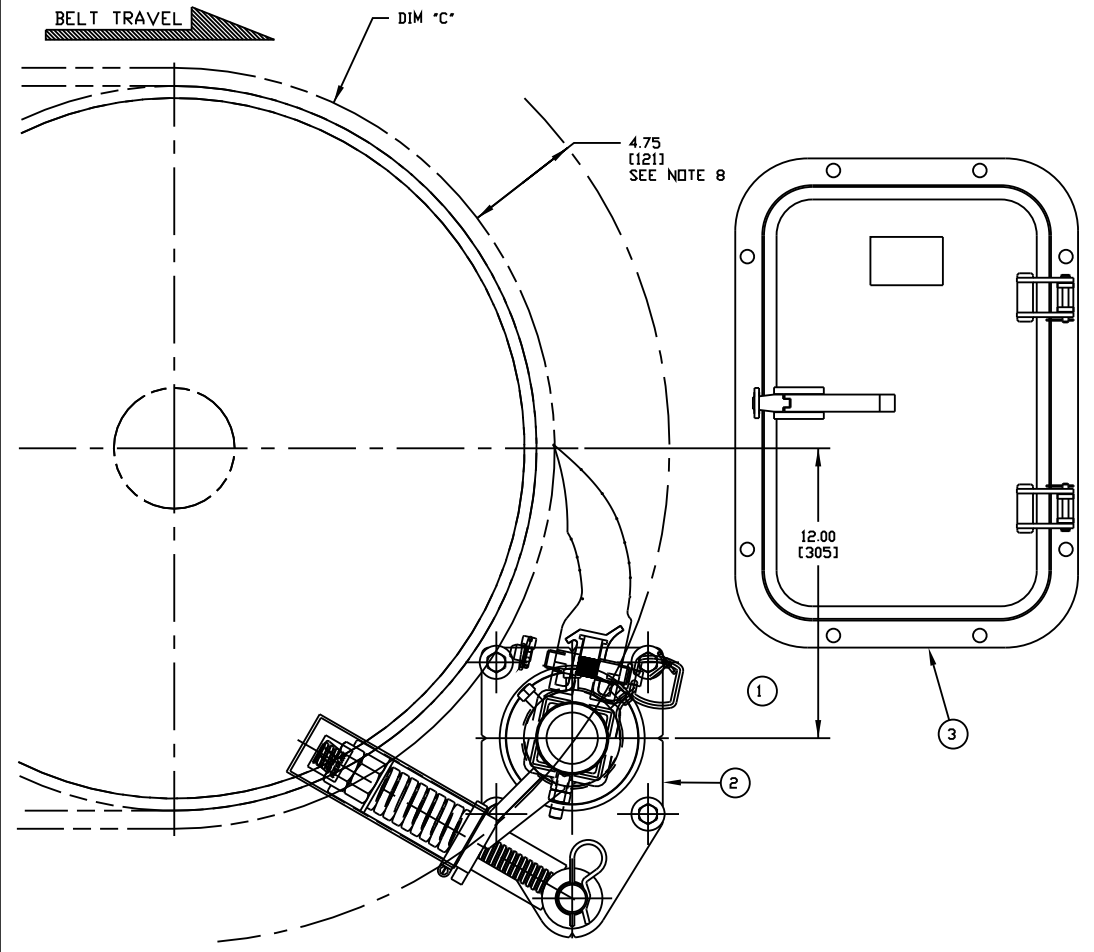
ASSEMBLY PART NO.	COLOR
38926-XXXXXX	ORANGE
38926-XXXXXXBRX	BROWN
38926-XXXXXXCLX	TAN
38926-XXXXXXGRX	GREEN
38926-XXXXXXNBX	NAVY BLUE
38926-XXXXXXYLX	YELLOW



TENSIONER CHUTE CUTOUT DETAIL
SCALE 3/8
TYPICAL BOTH SIDES



ACCESS DOOR CUTOUT DETAIL
SCALE 1/4



- NOTES:
- 1) ALL DIMENSIONS ARE GIVEN IN INCHES (MM).
 - 2) ALL DIMENSIONS ARE FOR REFERENCE ONLY.
 - 3) FOR EASY ACCESSIBILITY AND MAINTENANCE, MARTIN ENGINEERING RECOMMENDS BOLTING CLEANER TO EXISTING STRUCTURE WHEN APPLICABLE.
 - 4) CLEANER IS SHOWN IN RECOMMENDED WORKING POSITION.
 - 5) WHERE EXTREME OR UNUSUAL CONDITIONS EXIST, OR SPECIAL MAINFRAME LENGTHS ARE REQUIRED CONTACT MARTIN ENGINEERING.
 - 6) REFER TO OPERATOR MANUALS M3886, & M3127 FOR COMPLETE INSTALLATION INSTRUCTIONS.
 - 7) FOR BELT WIDTHS 42.00 (1000-1200) AND SMALLER, MARTIN ENGINEERING RECOMMENDS USING A SINGLE SPRING LEVER SHOCK MOUNT TENSIONER.
 - 8) CLEANER CAN BE LOCATED ANYWHERE ALONG THE ARC, AS LONG AS THE MAINFRAME IS OUT OF MATERIAL TRAJECTORY AND THE BLADE TIPS ARE BELOW THE HORIZONTAL CENTERLINE OF THE HEAD PULLEY.
 - 9) THE HD MAX QC #1 PRE-CLEANER BLADES ARE DESIGNED TO REMOVE HEAVY CARRYBACK ONLY. DO NOT OVERTENSION.
 - 10) ONE FULL TURN OF THE TENSIONING NUT ON THE SPRING TENSIONER IS EQUAL TO 20 (5).
- 11) BLADE COVERAGE IS LESS THAN BELT WIDTH, DUE TO POSSIBLE MISTRACKING OR DAMAGED EDGES OF THE BELT.
- 12) THE FIRST TWO XX'S OF THE CLEANER PART NUMBER INDICATE BELT WIDTH. THE THIRD X INDICATES SOLID/SEGMENTED (1). THE FOURTH X INDICATES SOLID (1) OR SEGMENTED (0). THE NEXT TWO XX'S INDICATE BLADE WIDTH. THE NEXT TWO XX'S INDICATE BLADE COLOR/MATERIAL. THE LAST X INDICATES IF A TENSIONER (1) IS INCLUDED.
EXAMPLE: 38926-481142BR (48.00 BELT WIDTH, 42.00 SOLID, BROWN BLADE).

Copyright 2016 Martin Engineering. All rights reserved. Covered by U.S. and Foreign patents pending and issued. R and TM indicate trademarks of Martin Engineering.

MARTIN ENGINEERING
NEPONSET, IL USA

TITLE: MARTIN QC #1 HD MAX PRE-CLEANER WITH XHD SPRING TENSIONER AND 12X18 ACCESS DOOR

DATE: 10/25/11
CHECKED: MJB
DATE: 01/05/12
APPROVED DM: DATE: 04/26/12
SCALE: 1/4

SALES DRAWING
PR12177 S50095-D

NO.	DESCRIPTION	ECN	DATE	BY
A	RMVB 38926-XX0XXXXX OPTION FROM NOTES/ADDED 38926-XX10XXXXX OPTION TO NOTES	14419	12/22/15	MJB

