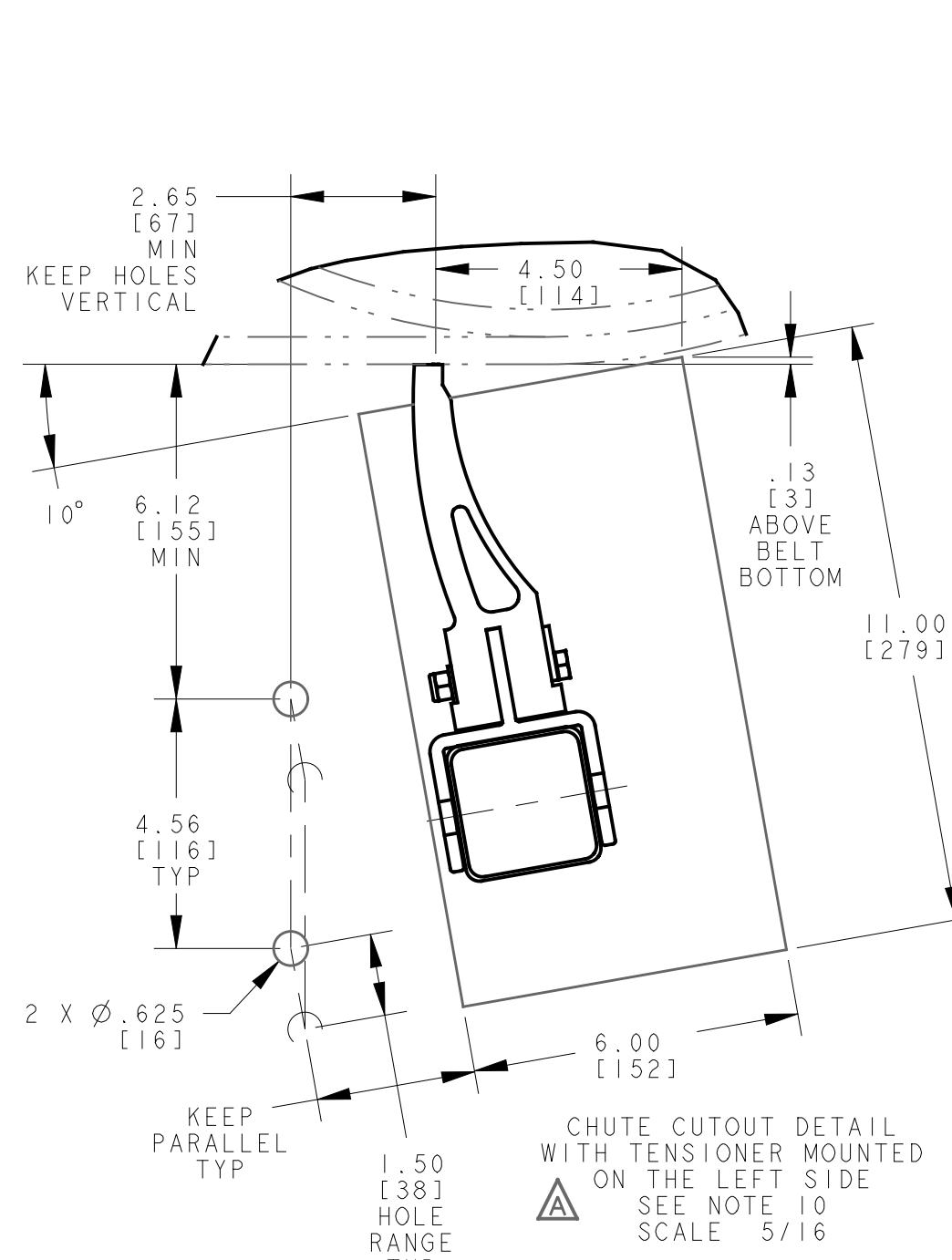


PART NO.	BELT WIDTH	DIM "A" BLADE WIDTH	DIM "B" FRAME LENGTH
SQC2S-18X12X3XXX	18 [400-500]	12.00 [305]	48.00 [1219]
SQC2S-18X18X3XXX	18 [400-500]	18.00 [457]	48.00 [1219]
SQC2S-24X18X3XXX	24 [500-650]	18.00 [457]	54.00 [1372]
SQC2S-24X24X3XXX	24 [500-650]	24.00 [610]	54.00 [1372]
SQC2S-30X24X3XXX	30 [650-800]	24.00 [610]	60.00 [1524]
SQC2S-30X30X3XXX	30 [650-800]	30.00 [762]	60.00 [1524]
SQC2S-36X30X3XXX	36 [800-1000]	30.00 [762]	66.00 [1676]
SQC2S-36X36X3XXX	36 [800-1000]	36.00 [914]	66.00 [1676]
SQC2S-42X36X3XXX	42 [1000-1200]	36.00 [914]	72.00 [1829]
SQC2S-42X42X3XXX	42 [1000-1200]	42.00 [1067]	72.00 [1829]
SQC2S-48X42X3XXX	48 [1200-1400]	42.00 [1067]	78.00 [1981]
SQC2S-48X48X3XXX	48 [1200-1400]	48.00 [1219]	78.00 [1981]
SQC2S-54X48X3XXX	54 [1400-1600]	48.00 [1219]	84.00 [2134]
SQC2S-54X54X3XXX	54 [1400-1600]	54.00 [1372]	84.00 [2134]
SQC2S-60X54X3XXX	60 [1600-1800]	54.00 [1372]	90.00 [2286]
SQC2S-60X60X3XXX	60 [1600-1800]	60.00 [1524]	90.00 [2286]
SQC2S-66X60X3XXX	66 [1600-1800]	60.00 [1524]	96.00 [2438]
SQC2S-66X66X3XXX	66 [1600-1800]	66.00 [1676]	96.00 [2438]
SQC2S-72X66X3XXX	72 [1800-1900]	66.00 [1676]	102.00 [2591]
SQC2S-72X72X3XXX	72 [1800-1900]	72.00 [1829]	102.00 [2591]
SQC2S-78X72X3XXX	78 [1900-2000]	72.00 [1829]	108.00 [2743]
SQC2S-78X78X3XXX	78 [1900-2000]	78.00 [1981]	108.00 [2743]
SQC2S-84X78X3XXX	84 [2000-2100]	78.00 [1981]	114.00 [2896]
SQC2S-84X84X3XXX	84 [2000-2100]	84.00 [2134]	114.00 [2896]
SQC2S-90X84X3XXX	90 [2100-2200]	84.00 [2134]	120.00 [3048]
SQC2S-90X90X3XXX	90 [2100-2200]	90.00 [2286]	120.00 [3048]
SQC2S-96X90X3XXX	96 [2200-2400]	90.00 [2286]	126.00 [3200]
SQC2S-96X96X3XXX	96 [2200-2400]	96.00 [2438]	126.00 [3200]
SQC2S-144X144X3XXX	144.00 [3658]	144.00 [3658]	174.00 [4420]

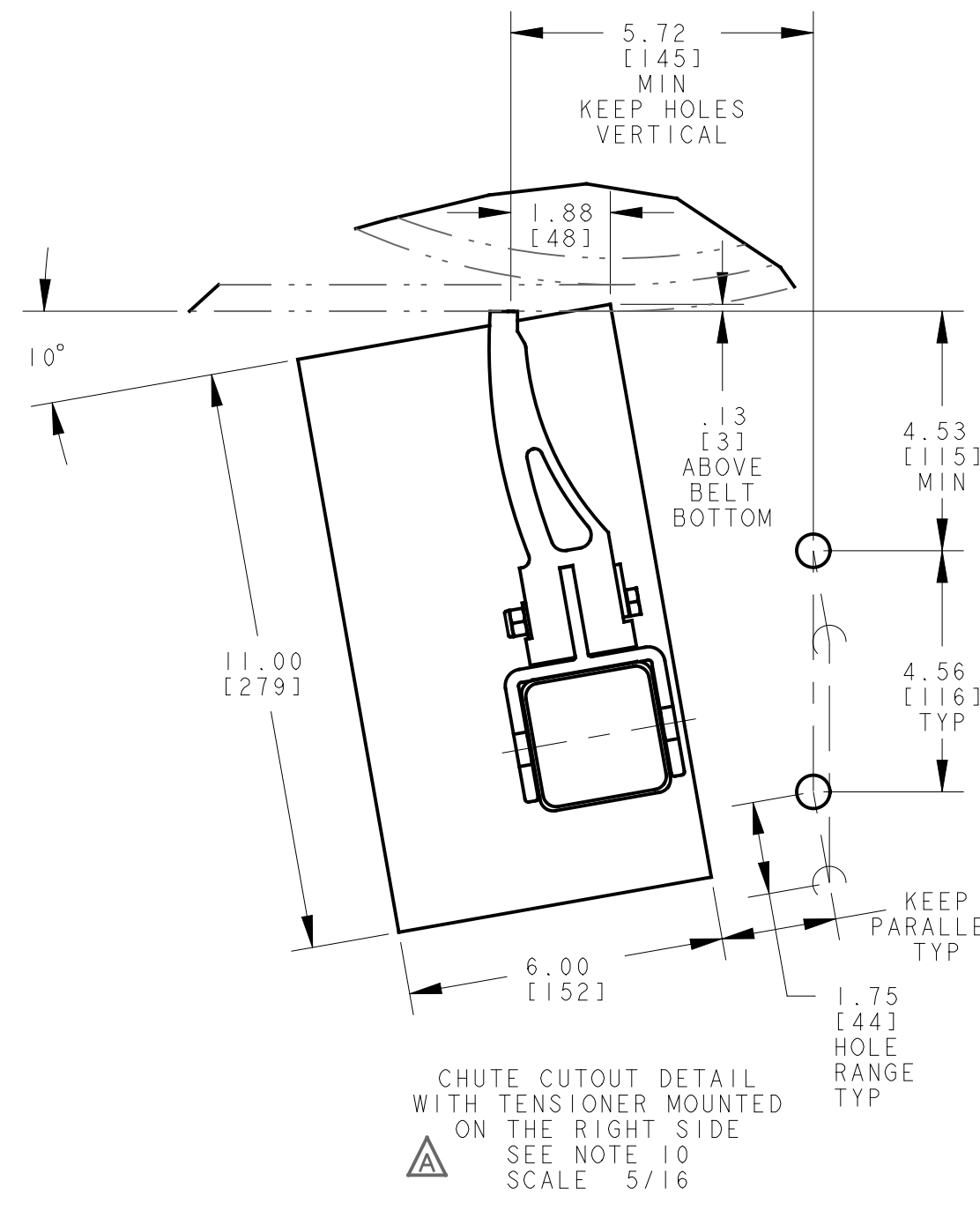
BLADE CHART	
PART NO.	CLEANER DESCRIPTION
SQC2S-XXCXX3XXX	TC TIP WITH SS INSERT URETHANE BLADES
SQC2S-XXDXX3XXX	SLIT URETHANE BLADES
SQC2S-XXSXX3XXX	SS TIP URETHANE BLADES
SQC2S-XXTXX3XXX	TC TIPPED URETHANE BLADES
SQC2S-XXUXX3XXX	ALL URETHANE BLADES

** NOTE ON ASSEMBLIES WITH TIPPED BLADES, THE OUTER BLADE ON EACH END WILL BE ALL URETHANE**

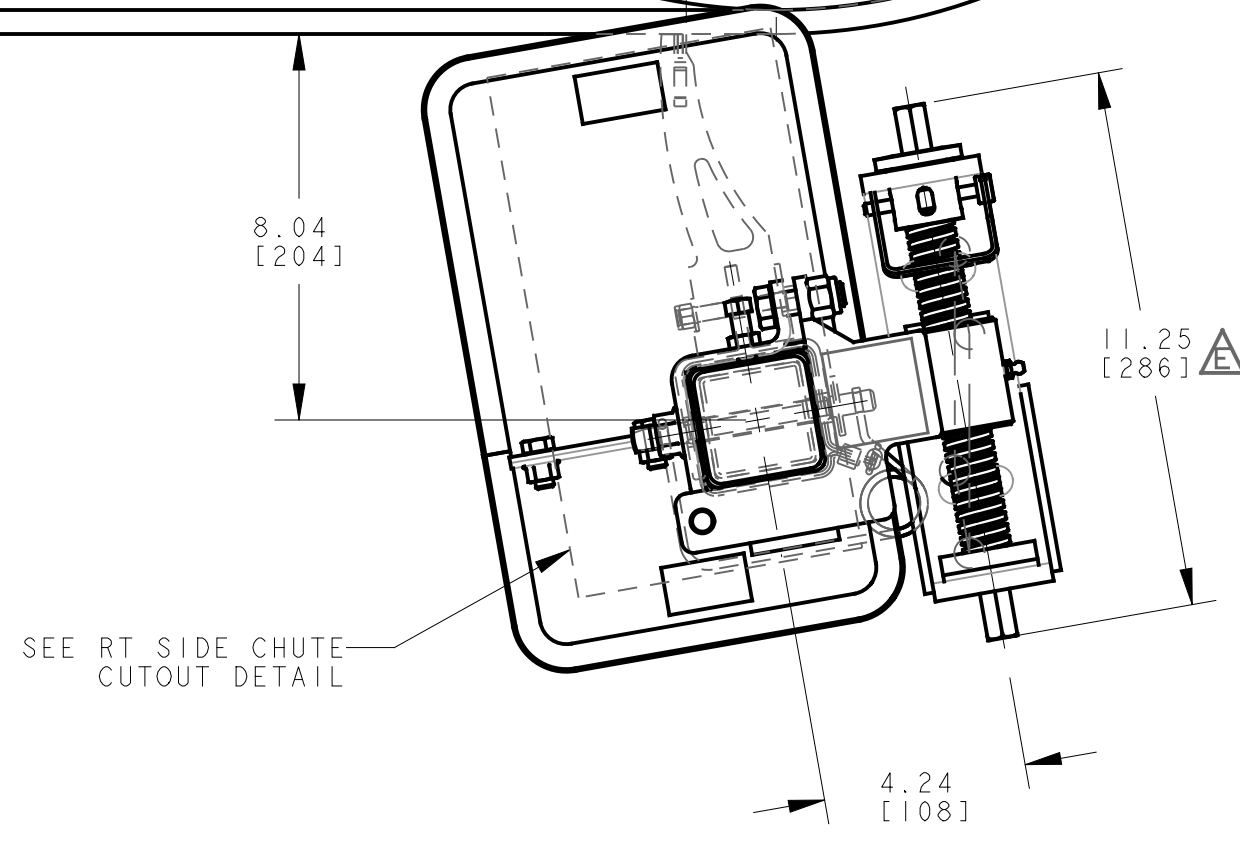
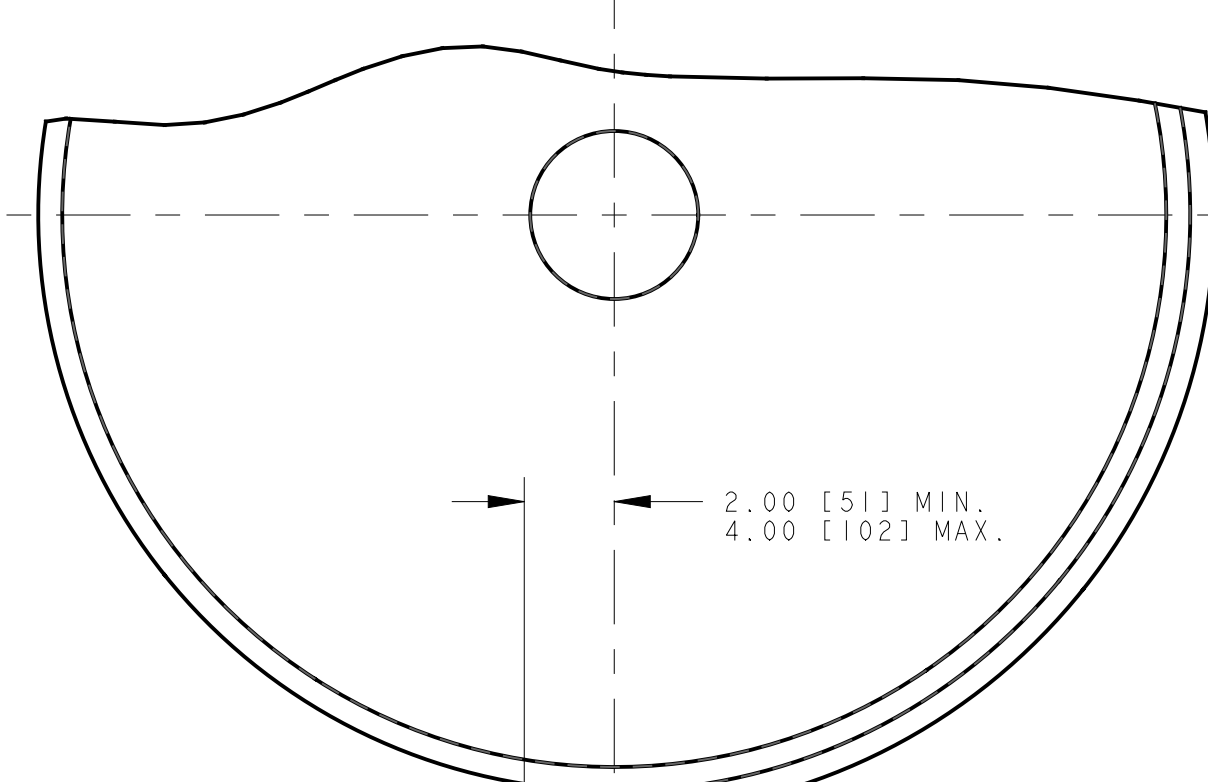
PART NO.	BELT WIDTH	DIM "A" BLADE WIDTH	DIM "B" FRAME LENGTH
SQC2S-18X12X3EXX	18 [400-500]	12.00 [305]	66.00 [1676]
SQC2S-18X18X3EXX	18 [400-500]	18.00 [457]	66.00 [1676]
SQC2S-24X18X3EXX	24 [500-650]	18.00 [457]	72.00 [1829]
SQC2S-24X24X3EXX	24 [500-650]	24.00 [610]	72.00 [1829]
SQC2S-30X24X3EXX	30 [650-800]	24.00 [610]	78.00 [1981]
SQC2S-30X30X3EXX	30 [650-800]	30.00 [762]	78.00 [1981]
SQC2S-36X30X3EXX	36 [800-1000]	30.00 [762]	84.00 [2134]
SQC2S-36X36X3EXX	36 [800-1000]	36.00 [914]	84.00 [2134]
SQC2S-42X36X3EXX	42 [1000-1200]	36.00 [914]	90.00 [2286]
SQC2S-42X42X3EXX	42 [1000-1200]	42.00 [1067]	90.00 [2286]
SQC2S-48X42X3EXX	48 [1200-1400]	42.00 [1067]	96.00 [2438]
SQC2S-48X48X3EXX	48 [1200-1400]	48.00 [1219]	96.00 [2438]
SQC2S-54X48X3EXX	54 [1400-1600]	48.00 [1219]	102.00 [2591]
SQC2S-54X54X3EXX	54 [1400-1600]	54.00 [1372]	108.00 [2743]
SQC2S-60X54X3EXX	60 [1600-1800]	54.00 [1372]	108.00 [2743]
SQC2S-60X60X3EXX	60 [1600-1800]	60.00 [1524]	114.00 [2896]
SQC2S-66X60X3EXX	66 [1600-1800]	60.00 [1524]	114.00 [2896]
SQC2S-66X66X3EXX	66 [1600-1800]	66.00 [1676]	114.00 [2896]
SQC2S-72X66X3EXX	72 [1800-1900]	66.00 [1676]	120.00 [3048]
SQC2S-72X72X3EXX	72 [1800-1900]	72.00 [1829]	120.00 [3048]
SQC2S-78X72X3EXX	78 [1900-2000]	72.00 [1829]	126.00 [3200]
SQC2S-78X78X3EXX	78 [1900-2000]	78.00 [1981]	126.00 [3200]
SQC2S-84X78X3EXX	84 [2000-2100]	78.00 [1981]	132.00 [3353]
SQC2S-84X84X3EXX	84 [2000-2100]	84.00 [2134]	132.00 [3353]
SQC2S-90X84X3EXX	90 [2100-2200]	84.00 [2134]	138.00 [3505]
SQC2S-90X90X3EXX	90 [2100-2200]	90.00 [2286]	138.00 [3505]
SQC2S-96X90X3EXX	96 [2200-2400]	90.00 [2286]	144.00 [3658]
SQC2S-96X96X3EXX	96 [2200-2400]	96.00 [2438]	144.00 [3658]



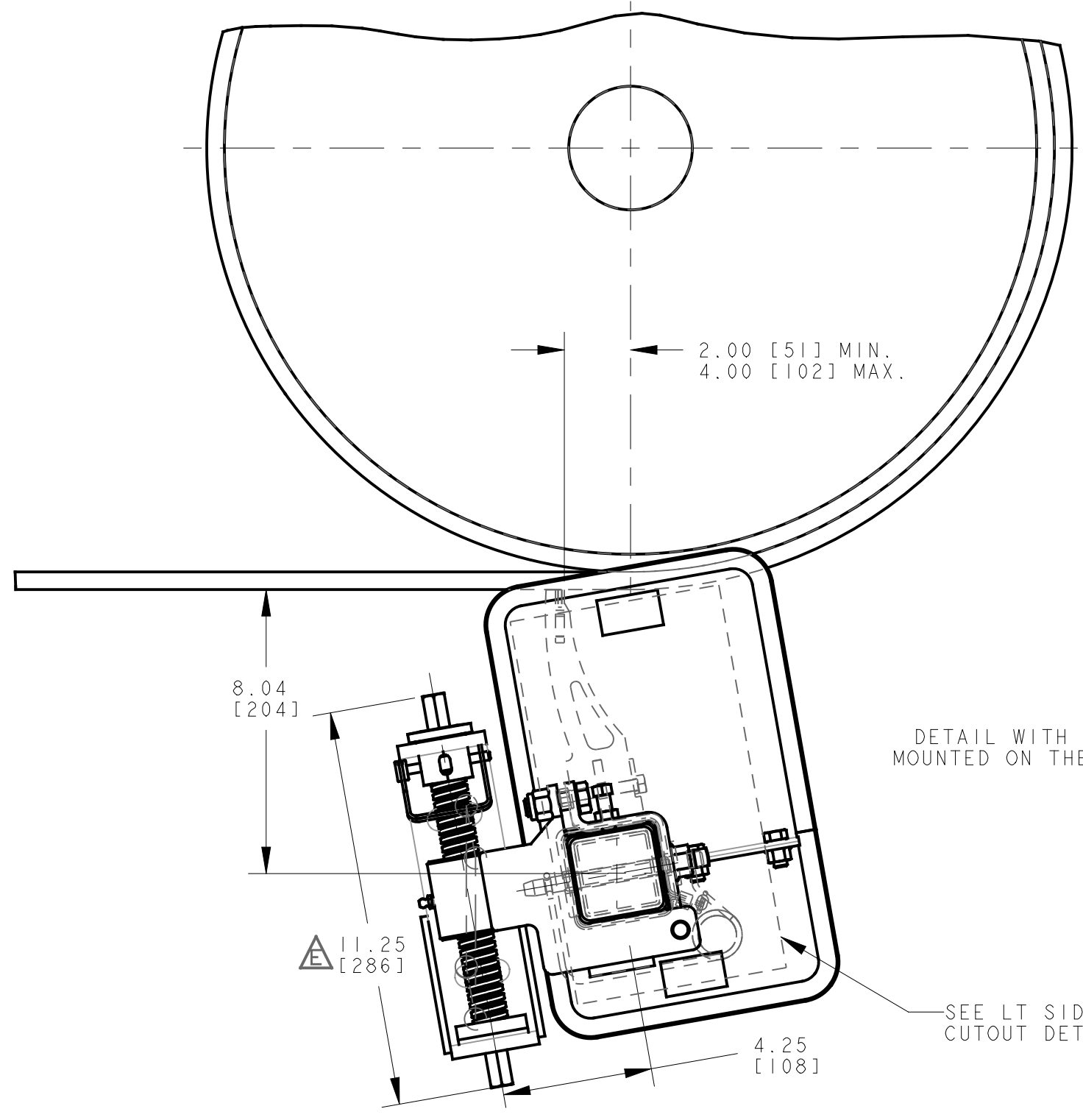
CHUTE CUTOUT DETAIL WITH TENSIONER MOUNTED ON THE LEFT SIDE SEE NOTE 10 SCALE 5/16



CHUTE CUTOUT DETAIL WITH TENSIONER MOUNTED ON THE RIGHT SIDE SEE NOTE 10 SCALE 5/16



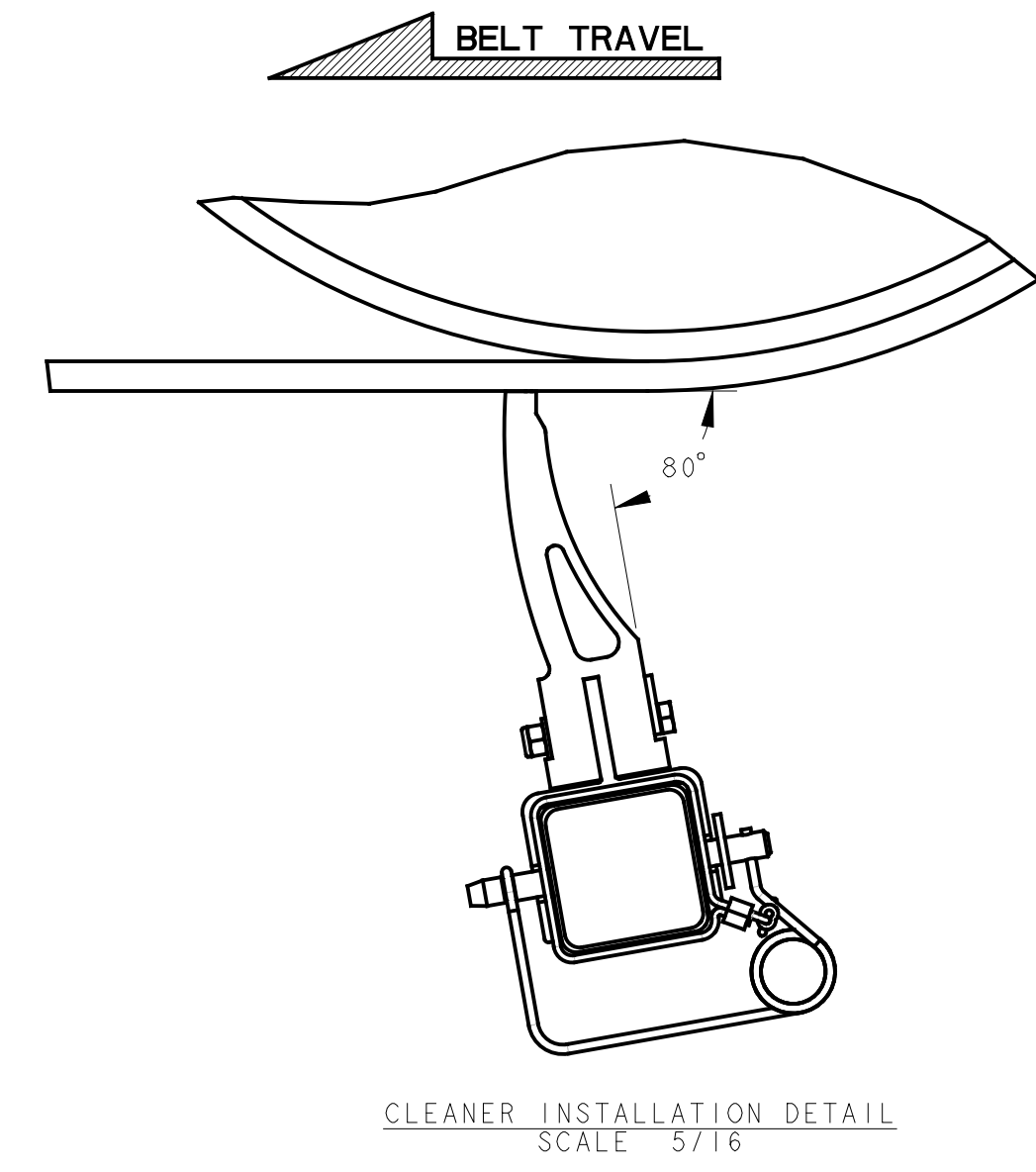
DETAIL WITH TENSIONER MOUNTED ON THE RIGHT SIDE



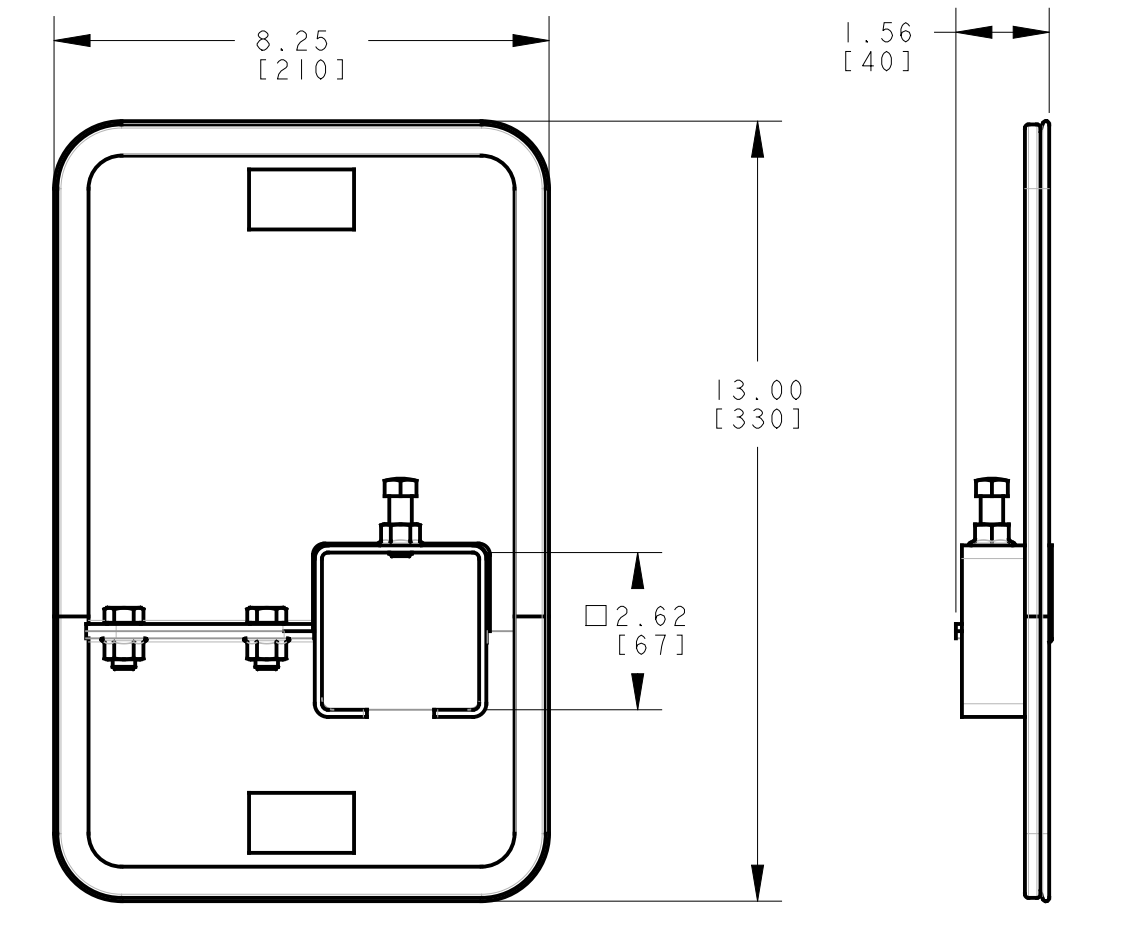
DETAIL WITH TENSIONER MOUNTED ON THE LEFT SIDE

SEE LT SIDE CHUTE CUTOUT DETAIL

SEE RT SIDE CHUTE CUTOUT DETAIL

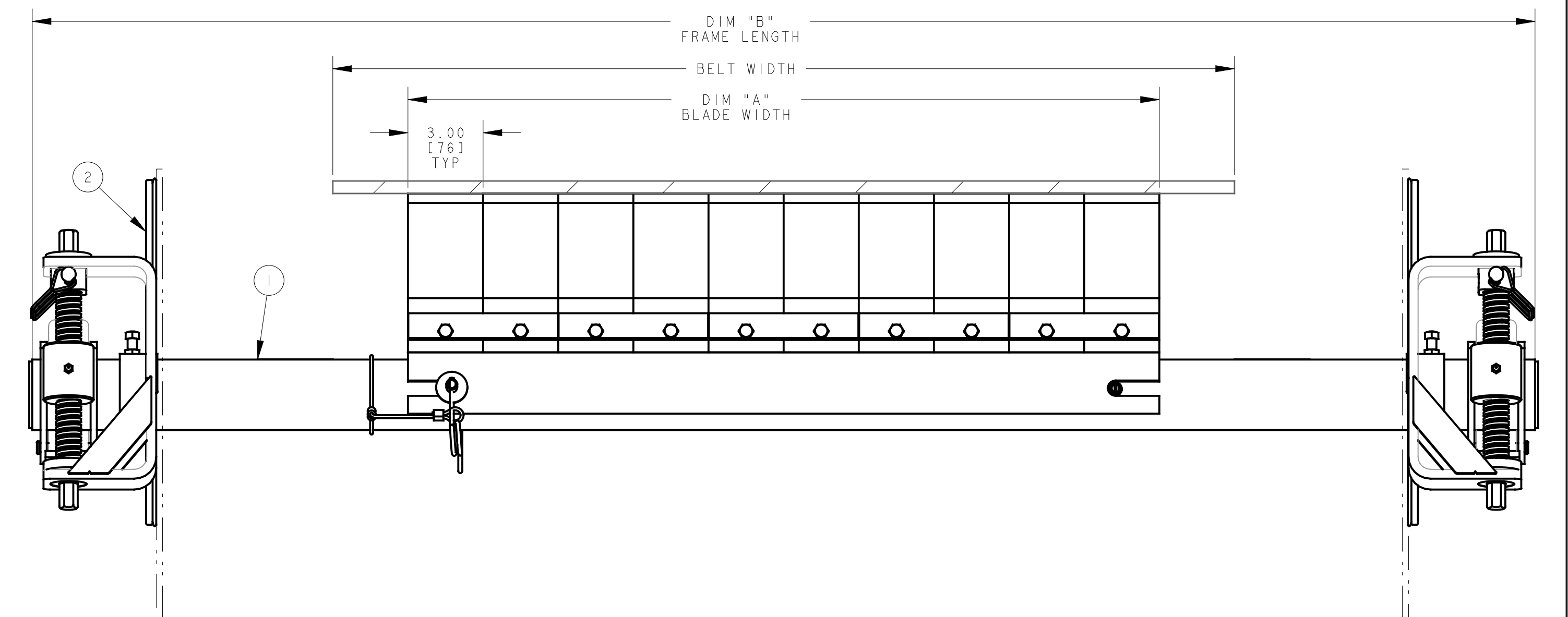


CLEANER INSTALLATION DETAIL SCALE 5/16



DUST TIGHT COVER DOOR DETAIL SCALE 5/16

- NOTES:
- 1) ALL DIMENSIONS ARE GIVEN IN INCHES [MM].
 - 2) ALL DIMENSIONS ARE FOR REFERENCE ONLY.
 - 3) FOR EASE OF ACCESSIBILITY AND MAINTENANCE MARTIN ENGINEERING RECOMMENDS BOLTING CLEANER TO EXISTING STRUCTURE WHEN APPLICABLE.
 - 4) DUE TO STRUCTURAL TOLERANCES IN THE FIELD, DIMENSIONS AND LOCATIONS MAY VARY.
 - 5) WHERE EXTREME AND UNUSUAL CONDITIONS EXIST, OR SPECIAL MAINFRAME LENGTHS ARE REQUIRED, CONTACT MARTIN ENGINEERING.
 - 6) CUSTOMER MAY HAVE TO MODIFY STRUCTURE TO PROPERLY INSTALL CLEANER.
 - 7) REFER TO OPERATOR'S MANUAL (M3820) FOR ADDITIONAL AND OPTIONAL INSTALLATION INSTRUCTIONS.
 - 8) MARTIN ENGINEERING RECOMMENDS POSITIONING OF AN IDLER FOR PROPER BACKING SUPPORT OF THE CLEANER IF NOT LOCATED LOCATED ON THE HEAD PULLEY.
 - 9) MAINFRAME IS SUPPLIED LONGER THAN REQUIRED, FIELD CUT TO DESIRED LENGTH.
 - 10) LOCATE ACCESS WINDOW AND HOLE CENTERS. DRILL HOLES FOR TENSIONER. NOTE TENSIONER LT/RT MOUNTING DIRECTION.
 - 11) IN THE P/N THE FIRST TWO XX'S INDICATE THE BELT WIDTH: (18 THRU 96) THE NEXT X INDICATES THE BLADE TYPE: (SEE BLADE CHART) THE NEXT TWO XX'S INDICATE THE BLADE CLEANING WIDTH: (18 THRU 96) THE NEXT TWO XX'S INDICATE THE URETHANE COLOR: (B3 = BROWN, G3 = GREEN, N3 = NAVY BLUE AND O3=ORANGE) THE NEXT X INDICATES THE MAINFRAME OPTIONS: (E = EXTENDED LENGTH PAINTED STEEL MAINFRAME, P = PAINTED MAINFRAME, S = STAINLESS STEEL MAINFRAME) THE NEXT X INDICATES IF A TENSIONER IS INCLUDED. THE LAST X INDICATES IF ADDITIONAL OPTIONS ARE INCLUDED.



NO.	DESCRIPTION	ECN	DATE	BY
E	CHGD DIM 10.28 TO 11.25	15706	09/02/20	JAH
D	CHGD MANUAL P/N IN NOTE FROM M3682 TO M3820	15452	08/28/19	JAH
C	ADDED P/N SQC2S-XXDXX3XXX TO BLADE CHART (P13177)	----	03/15/16	RND
B	ADDED CHART W/EXTENDED MAINFRAME DIM'S/ADDED SQC2S-XXCXX3X & -XXSXX3X TO CHART	----	04/26/13	MJB
A	RELOCATED DOOR CUTOUTS, ADDED DIMS / CHGD DOOR CUTOUT FROM BEING LOCATED FROM TENSIONER HOLES TO BEING LOCATED FROM BLADE / UPDATED DIMS, UPDATED NOTE	13161	09/06/11	RND

©Copyright 2020 Martini Engineering. All rights reserved. Covered by U.S. and foreign patents pending and issued. ® and TM indicate trademarks of Martini Engineering.

MARTIN ENGINEERING
NEPONSET, IL USA

TITLE MARTIN® SQC2™ WITH 3" SAF-2 STYLE BLADES TENS & COVER DOOR

SALES DRAWING S50081-S

DRAWN	MJB
DATE	11/03/10
CHECKED	
ENG.	JAP
DATE	02/04/11
APPROVED	DM
DATE	02/04/11
SCALE	1/4