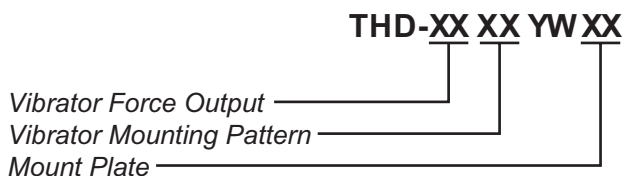


Cougar® THD Vibrators



NOMENCLATURE



VIBRATOR FORCE OUTPUT

- 25:** 2500 lbs
- 16:** 1600 lbs

VIBRATOR MOUNTING PATTERN

- 4M:** Qty 4, 5/8 Bolts, 2.00" x 8.00" Rectangular Pattern
- 2V:** Qty 2, 3/4 Bolts, 8.50" Between Center, In-Line Pattern

MOUNT PLATE

- MO:** Without Mount Plate
- MS:** Steel Mount Plate
- MA:** Aluminum Mount Plate

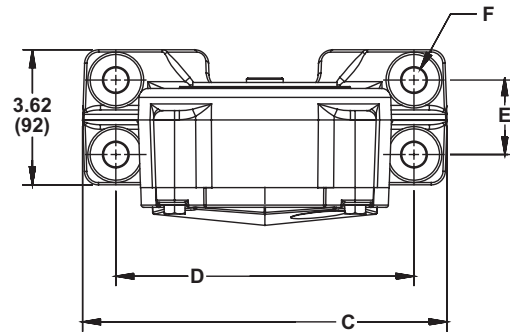
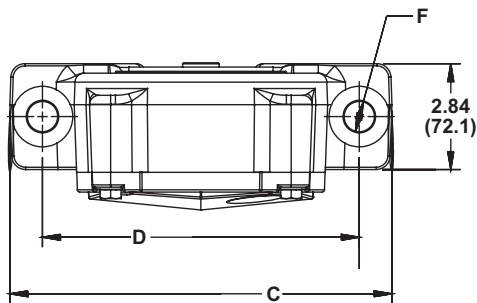
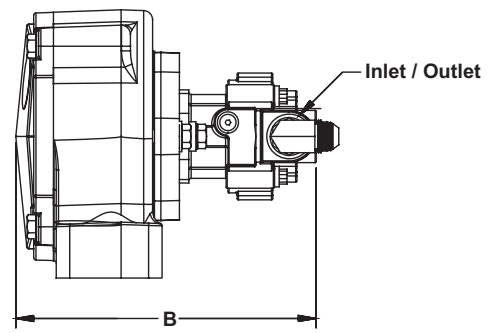
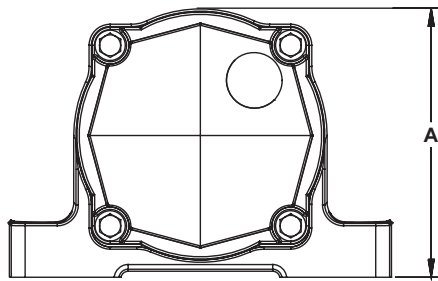
FEATURES

- Built from high-strength aluminum for maximum durability.
- Efficient motor designed for minimal power consumption.
- Low Maintenance
- Designed to create more force per size/weight.
- Variable Speed
- Continuous Duty

Specify Cougar for:

- Cost effective solutions
- Expert technical assistance
- Complete service and support

TECHNICAL DATA SHEET



THD-XXXX-2V MOUNTING PATTERN

THD-XXXX-4M MOUNTING PATTERN

Model	P/N	A	B	C	Mounting		Bolt Size	Inlet	Outlet	Weight lbs
					D	E	F			
THD-1600	THD-16-4M-YW-MO	7.2	8.06	10.25	8	2	5/8	SAE 8	SAE 8	25
THD-1600	THD-16-2V-YW-MO	7.2	8.06	10.25	8.50	—	3/4	SAE 8	SAE 8	25
THD-2500	THD-25-4M-YW-MO	7.2	8.06	10.25	8	2	5/8	SAE 8	SAE 8	25
THD-2500	THD-25-2V-YW-MO	7.2	8.06	10.25	8.50	—	3/4	SAE 8	SAE 8	25

Model	In/lbs	VPM	Force	GPM	VPM	Force	GPM	VPM	Force	Max GPM	Max Pressure
THD-1600	3.125	1000	89	.944	2500	555	2.359	4000	1420	3.775	2000 PSI
THD-2500	6.051	1000	172	.944	2500	1074	2.359	4000	2750	3.775	2000 PSI

Data from vibrator mounted to a 10,000 lb test block. Frequency and force will decrease on a less rigid mount.



Martin Engineering USA

3600 Cougar Drive
 Peru, IL 61354 USA
 855 394 4885
 Fax 800 814 1553
 www.martin-eng.com

**COMPANY WITH
 QUALITY SYSTEM
 CERTIFIED BY DNV
 = ISO 9001:2008 =**