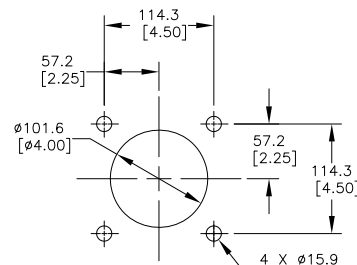


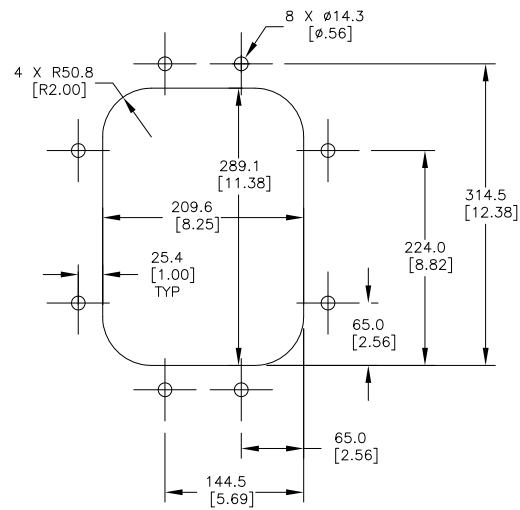
PART NUMBER	BELT WIDTH	DIMENSION "A" BLADE COVERAGE	DIMENSION "B" FRAME LENGTH
C1QCH3S18S8XXPX	457.2 [18.00]	254.0 [10.00]	863.6 [34.00]
C1QCH3S18S6XXPX	457.2 [18.00]	304.8 [12.00]	863.6 [34.00]
C1QCH3S18S4XXPX	457.2 [18.00]	355.6 [14.00]	863.6 [34.00]
C1QCH3S24S8XXPX	609.6 [24.00]	406.4 [16.00]	1168.4 [46.00]
C1QCH3S24S6XXPX	609.6 [24.00]	457.2 [18.00]	1168.4 [46.00]
C1QCH3S24S4XXPX	609.6 [24.00]	508.0 [20.00]	1168.4 [46.00]
C1QCH3S30S8XXPX	762.0 [30.00]	558.8 [22.00]	1320.8 [52.00]
C1QCH3S30S6XXPX	762.0 [30.00]	609.6 [24.00]	1320.8 [52.00]
C1QCH3S30S4XXPX	762.0 [30.00]	660.4 [26.00]	1320.8 [52.00]
C1QCH3S36S8XXPX	914.4 [36.00]	711.2 [28.00]	1524.0 [60.00]
C1QCH3S36S6XXPX	914.4 [36.00]	762.0 [30.00]	1524.0 [60.00]
C1QCH3S36S4XXPX	914.4 [36.00]	812.8 [32.00]	1524.0 [60.00]
C1QCH3S42S8XXPX	1066.8 [42.00]	863.6 [34.00]	1828.8 [72.00]
C1QCH3S42S6XXPX	1066.8 [42.00]	914.4 [36.00]	1828.8 [72.00]
C1QCH3S42S4XXPX	1066.8 [42.00]	965.2 [38.00]	1828.8 [72.00]
C1QCH3S48S8XXPX	1219.2 [48.00]	1016.0 [40.00]	1981.2 [78.00]
C1QCH3S48S6XXPX	1219.2 [48.00]	1066.8 [42.00]	1981.2 [78.00]
C1QCH3S48S4XXPX	1219.2 [48.00]	1117.6 [44.00]	1981.2 [78.00]

- NOTES:
- ALL DIMENSIONS ARE GIVEN IN MILLIMETERS [INCHES] AND ARE FOR REFERENCE ONLY.
 - IN THE C1QCH3 PART NUMBER THE FIRST SXX INDICATES THE BELT WIDTH IN STANDARD INCH UNITS FOR BELT WIDTHS 18 THRU 48.
S18 = 18
S24 = 24
S30 = 30
S36 = 36
S42 = 42
S48 = 48
THE NEXT SX INDICATES THE LESS BELT WIDTH BLADE COVERAGE IN STANDARD INCH UNITS.
00 = NO BLADE
S4 = 4 LESS BELT WIDTH
S6 = 6 LESS BELT WIDTH
S8 = 8 LESS BELT WIDTH
THE FOURTH X IN THE PART NUMBER INDICATES THE BLADE COLOR:
0 = NO BLADE
B = BROWN
T = TAN
G = GREEN
N = NAVY BLUE
O = ORANGE
C = YELLOW WITH CERAMIC BEADS
THE FIFTH X INDICATES IF THE BLADE IS SOLID OR SEGMENTED:
0 = SEGMENTED BLADE / NO BLADE
1 = SOLID BLADE / CERAMIC BLADE ONLY AVAILABLE AS SOLID
THE P IN THE PART NUMBER INDICATES A PAINTED STEEL MAINFRAME
THE LAST X INDICATES THE TENSIONER OPTIONS:
BLANK = NO TENSIONER
T = TWIST TENSIONER (38850)
S = SPRING TENSIONER (38180)
ADD AN L TO THE END OF THE PART NUMBER TO GET A CLEANER LESS THE TORQUE TUBES.
 - THE FRAME IS ADJUSTABLE TO DESIRED LENGTH.
 - FOR BELT WIDTHS 54 AND OVER A DUAL TWIST TENSIONER ASSEMBLY IS REQUIRED (P/N 38850-2). SEE S50129-TD.
 - WHERE EXTREME OR UNUSUAL CONDITIONS EXIST, OR SPECIAL MAINFRAME LENGTHS ARE REQUIRED CONTACT MARTIN ENGINEERING.
 - INSIDE CHUTE WALL WIDTH MUST BE A MINIMUM OF BELT WIDTH PLUS 127.0 [5.00] IN ORDER FOR CLEANER TO BE INSTALLED WITH TENSIONERS BOLTED DIRECTLY TO CHUTE WALL.
 - REFER TO OPERATOR'S MANUALS M3837 AND M4124 FOR INSTALLATION INSTRUCTIONS.
 - CLEANER CAN BE LOCATED ANYWHERE ALONG THE ARC, AS LONG AS THE MAINFRAME IS OUT OF MATERIAL TRAJECTORY AND THE BLADE TIPS ARE BELOW THE HORIZONTAL CENTERLINE OF THE HEAD PULLEY.
 - THE QC1+ HD PRE-CLEANER BLADE IS DESIGNED TO REMOVE THE INITIAL CARRYBACK ONLY. DO NOT OVER TENSION.
 - THE QC1+ HD PRE-CLEANER BLADE IS DESIGNED FOR HEAD PULLEYS WITH A DIAMETER OF 406.4 [16.00] TO 558.8 [22.00].
 - BLADE COVERAGE IS LESS THAN BELT WIDTH, DUE TO POSSIBLE MISTRACKING OR DAMAGED EDGES OF THE BELT.

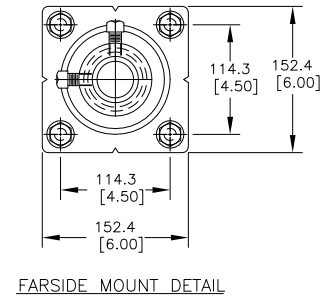
ASSEMBLY PART NO.	COLOR
C1QCH3SXXSXBXPX	BROWN
C1QCH3SXXSXTXPX	TAN
C1QCH3SXXSXGXPX	GREEN
C1QCH3SXXSXNXPX	NAVY BLUE
C1QCH3SXXSXOPX	ORANGE
C1QCH3SXXSXC1PX	YELLOW WITH CERAMIC BEADS



TENSIONER CHUTE WALL CUTOUT DETAIL
TYPICAL BOTH SIDES

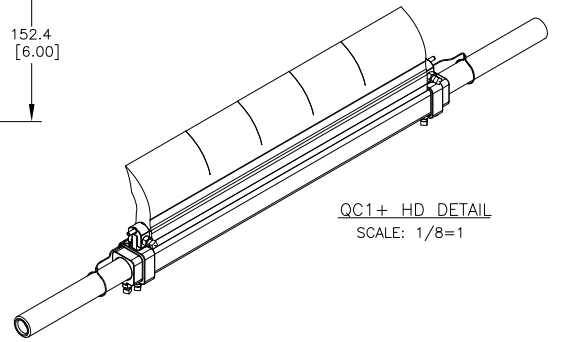


DOOR CUTOUT DETAIL
FOR STEEL ACCESS DOOR

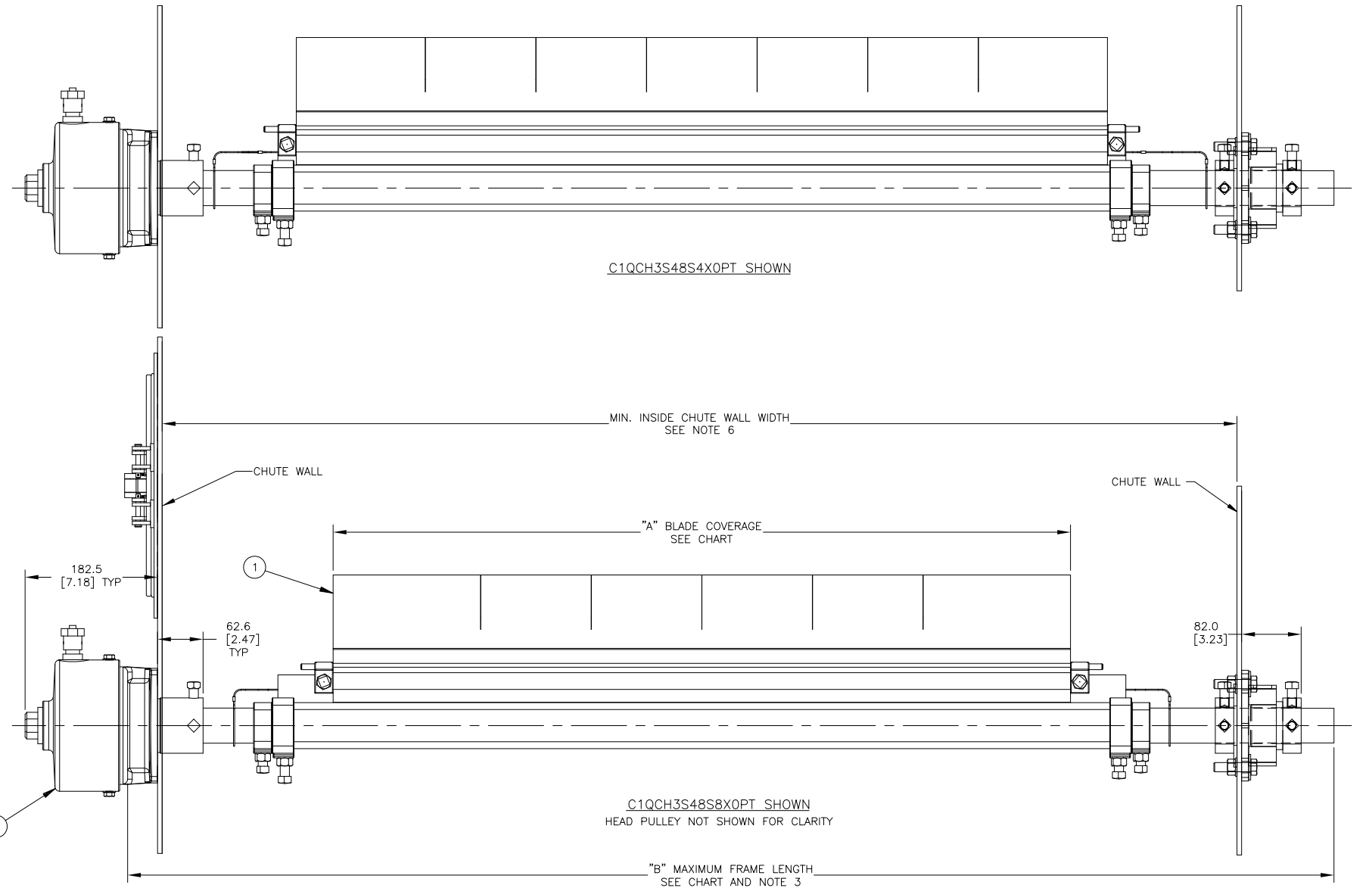
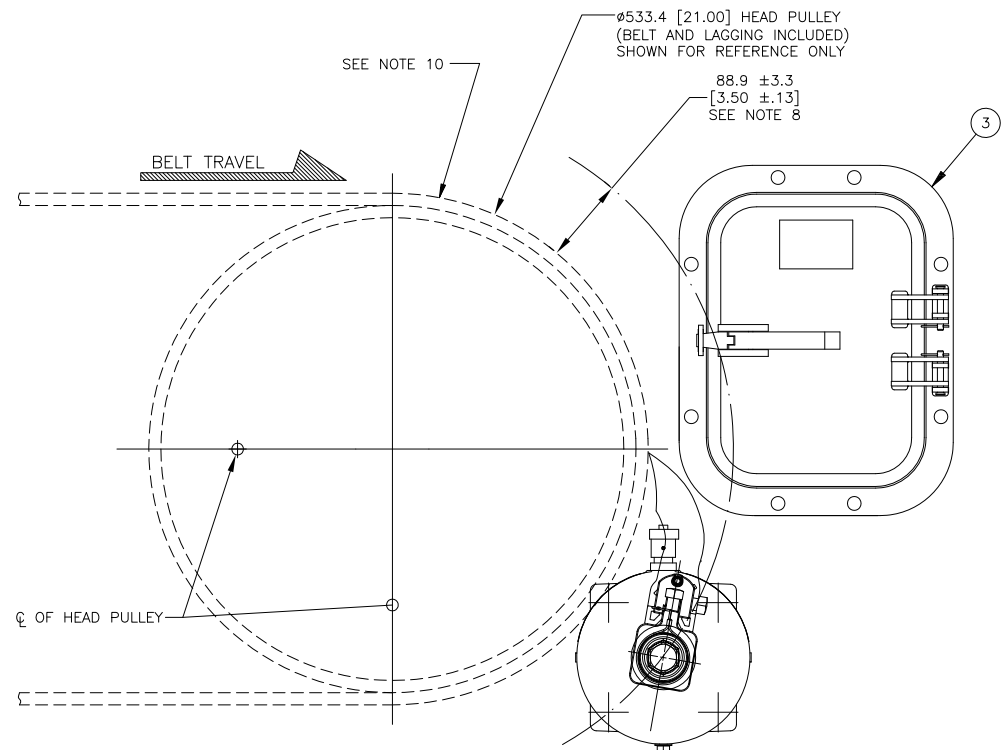


FAR SIDE MOUNT DETAIL

ITEM	QTY.	DESCRIPTION	PART NUMBER
1	1	MARTIN QC1+ HD BLADE MAINFRAME ASM	C1QCH3SXXSXXXPX
2	1	MARTIN TWIST TENSIONER ASM	38850
3	1	MARTIN LOW PROFILE STL DOOR 9X12	CYA-0912



QC1+ HD DETAIL
SCALE: 1/8=1



C1QCH3S48S4X0PT SHOWN

C1QCH3S48S8X0PT SHOWN
HEAD PULLEY NOT SHOWN FOR CLARITY

© Copyright 2019 Martin Engineering. All rights reserved. Covered by U.S. and foreign patents pending and issued. ® and TM indicate trademarks of Martin Engineering.



MARTIN ENGINEERING
NEPONSET, IL USA

TITLE	DATE	DRAWN	RND
MARTIN QC1+ HD 3-PC ASM WITH TWIST TENSIONER ASM & STEEL DOOR 228.6 [9] X 304.8 [12]	05/02/19	JAH	
		CHECKED	
		APPROVED	
		DATE	
		SCALE	

NO.	DESCRIPTION	ECN	DATE	BY
A	UPDATED P/N NOTE	15751	10/06/20	JAH
	REVISION			

SALES DRAWING
PR13753
S50129-TS
SCALE 1/4