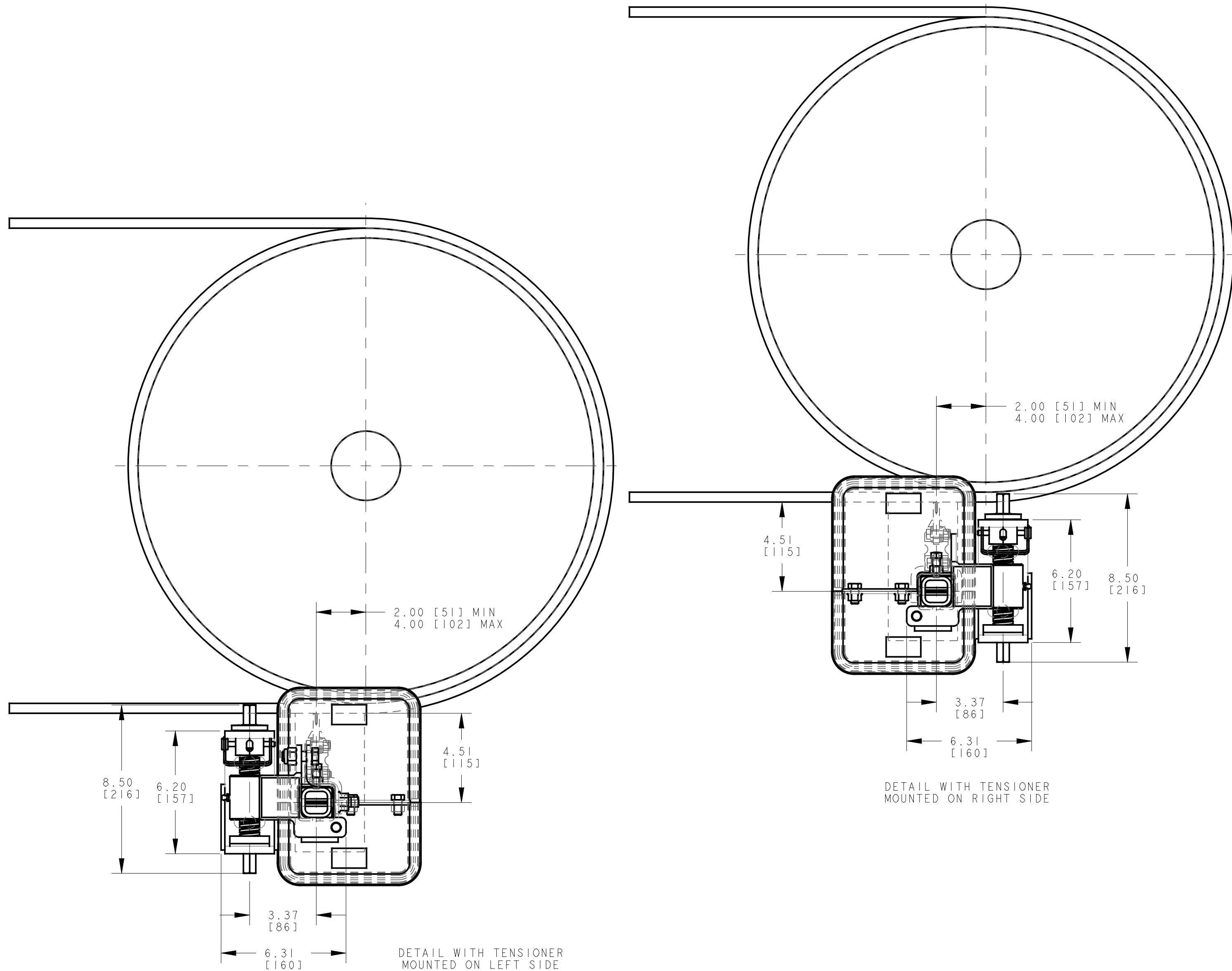
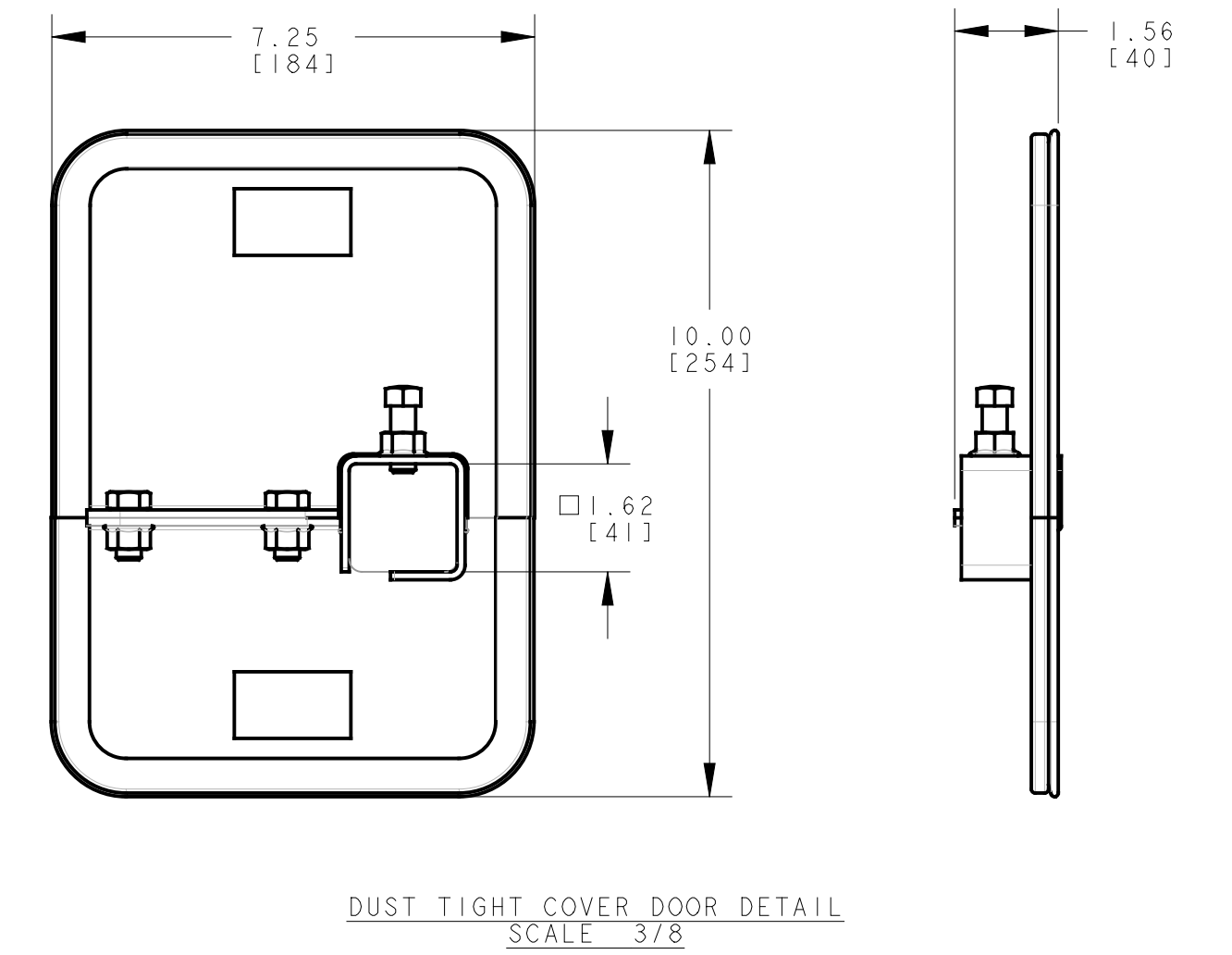
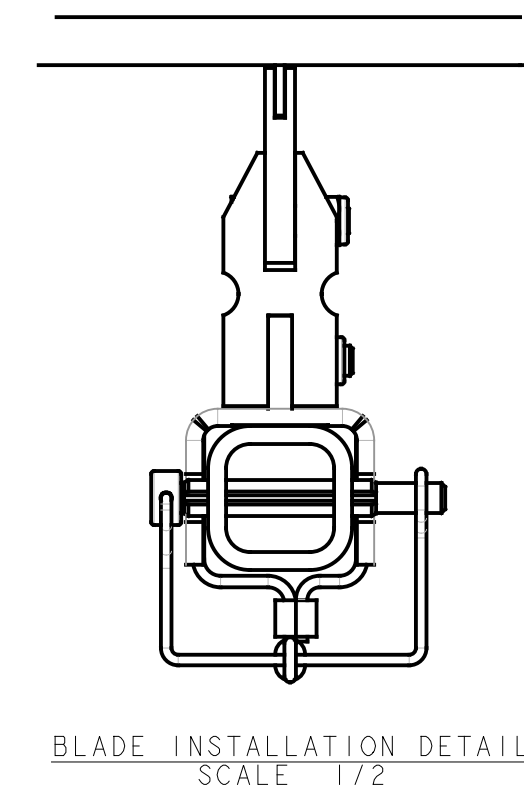
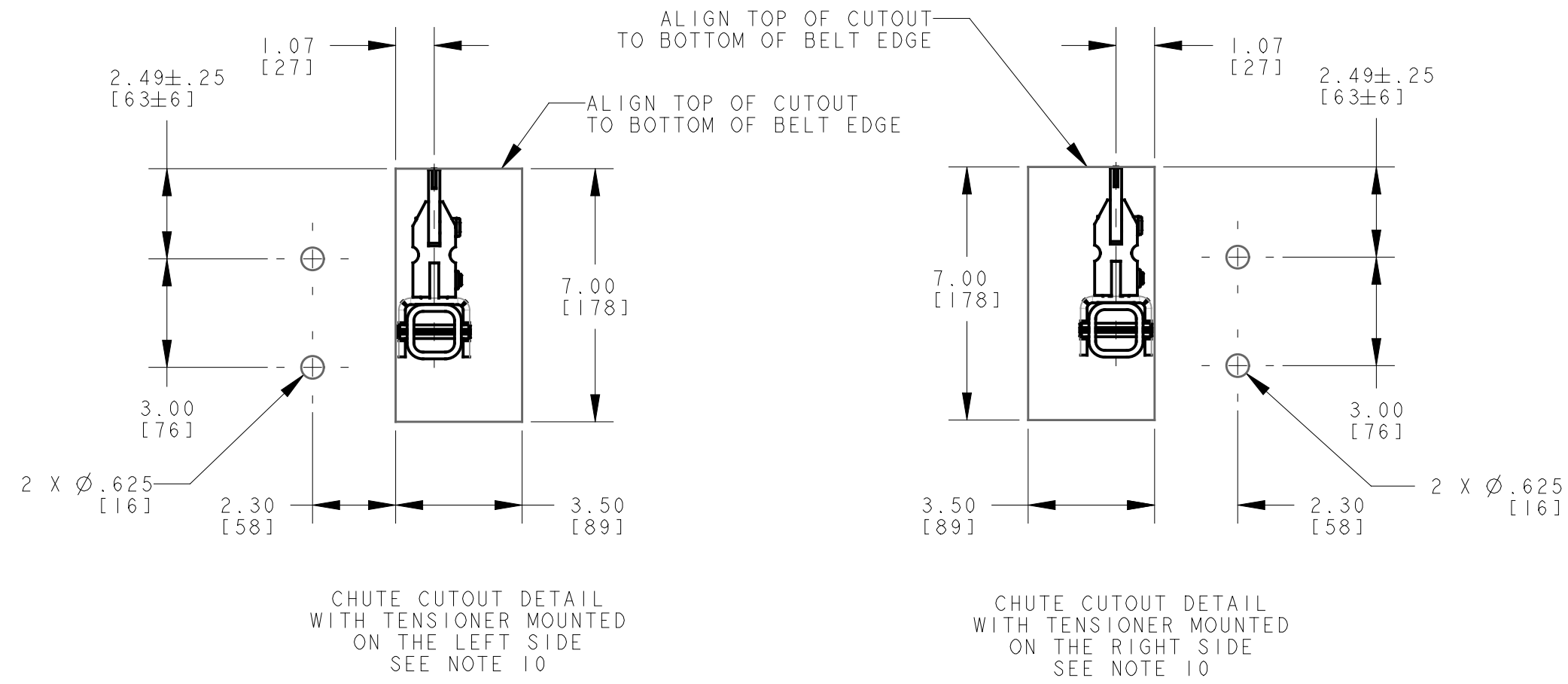


PART NO.	BELT WIDTH	DIM "A" FRAME LENGTH	DIM "B" BLADE WIDTH
SQC2RM-18X12XXXXX	18.00 [400-500]	48.00 [1219]	11.81 [300]
SQC2RM-18X18XXXXX	18.00 [400-500]	48.00 [1219]	17.72 [450]
SQC2RM-24X18XXXXX	24.00 [500-650]	54.00 [1372]	17.72 [450]
SQC2RM-24X24XXXXX	24.00 [500-650]	54.00 [1372]	23.62 [600]
SQC2RM-30X24XXXXX	30.00 [650-800]	60.00 [1524]	23.62 [600]
SQC2RM-30X30XXXXX	30.00 [650-800]	60.00 [1524]	29.53 [750]
SQC2RM-36X30XXXXX	36.00 [800-1000]	66.00 [1676]	29.53 [750]
SQC2RM-36X35XXXXX	36.00 [800-1000]	66.00 [1676]	35.43 [900]
SQC2RM-42X35XXXXX	42.00 [1000-1200]	72.00 [1829]	35.43 [900]
SQC2RM-42X41XXXXX	42.00 [1000-1200]	72.00 [1829]	41.34 [1050]
SQC2RM-48X41XXXXX	48.00 [1200-1400]	78.00 [1981]	41.34 [1050]
SQC2RM-48X47XXXXX	48.00 [1200-1400]	78.00 [1981]	47.24 [1200]
SQC2RM-54X47XXXXX	54.00 [1400-1600]	84.00 [2134]	47.24 [1200]
SQC2RM-54X53XXXXX	54.00 [1400-1600]	84.00 [2134]	53.15 [1350]
SQC2RM-60X53XXXXX	60.00 [1600-1800]	90.00 [2286]	53.15 [1350]
SQC2RM-60X59XXXXX	60.00 [1600-1800]	90.00 [2286]	59.06 [1500]
SQC2RM-66X59XXXXX	66.00 [1600-1800]	96.00 [2438]	59.06 [1500]
SQC2RM-66X65XXXXX	66.00 [1600-1800]	96.00 [2438]	64.96 [1650]
SQC2RM-72X65XXXXX	72.00 [1800-1900]	102.00 [2591]	64.96 [1650]
SQC2RM-72X71XXXXX	72.00 [1800-1900]	102.00 [2591]	70.87 [1800]

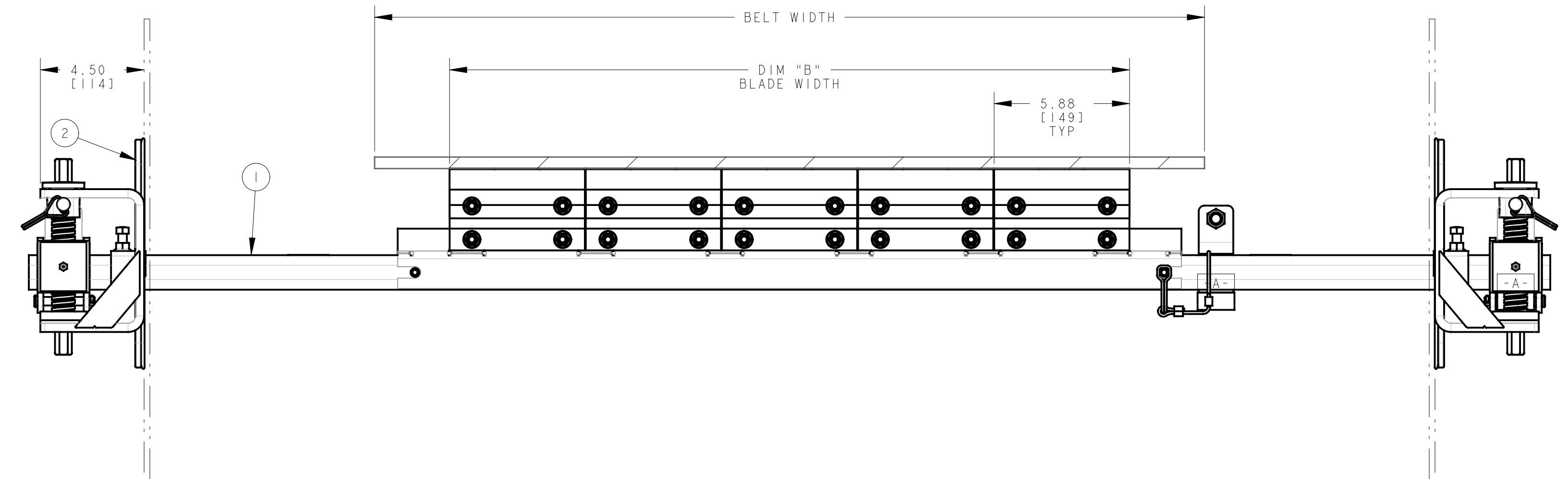
BLADE CHART		
PART NO.	COLOR	GENERAL APPLICATION
SQC2RM-XXCXXXXXXXX	----	CORROSION RESISTANT WITH CLIPS
SQC2RM-XXRXXXXXXXX	ORANGE	GENERAL CONDITIONS REV BELT WITH CLIPS
SQC2RM-XXSXXXXXXXX	----	CORROSION RESISTANT

ITEM	QTY.	DESCRIPTION	PART NUMBER
1	1	SQC2RM SQ MNFRM ASM	SEE CHART
2	1	DUST TIGHT DOOR ASM F/SQ MNFRM	38014-SQC2RM



- NOTES:
- 1) ALL DIMENSIONS ARE GIVEN IN INCHES [MM].
 - 2) ALL DIMENSIONS ARE FOR REFERENCE ONLY.
 - 3) FOR EASE OF ACCESSIBILITY AND MAINTENANCE MARTIN ENGINEERING RECOMMENDS BOLTING CLEANER TO EXISTING STRUCTURE WHEN APPLICABLE.
 - 4) DUE TO STRUCTURAL TOLERANCES IN THE FIELD, DIMENSIONS AND LOCATIONS MAY VARY.
 - 5) WHERE EXTREME AND UNUSUAL CONDITIONS EXIST, OR SPECIAL MAINFRAME LENGTHS ARE REQUIRED, CONTACT MARTIN ENGINEERING.
 - 6) CUSTOMER MAY HAVE TO MODIFY STRUCTURE TO PROPERLY INSTALL CLEANER.
 - 7) REFER TO OPERATOR'S MANUAL (M4078) FOR ADDITIONAL AND OPTIONAL INSTALLATION INSTRUCTIONS.
 - 8) MARTIN ENGINEERING RECOMMENDS POSITIONING OF AN IDLER FOR PROPER BACKING SUPPORT OF THE CLEANER BLADE IF NOT LOCATED LOCATED ON THE HEAD PULLEY.

- NOTES (CONT'D):
- 9) MAINFRAME IS SUPPLIED LONGER THAN REQUIRED, FIELD CUT TO DESIRED LENGTH.
 - 10) LOCATE AND DRILL HOLES FOR TENSIONER BEFORE LOCATING ACCESS WINDOW. NOTE TENSIONER LT/RT MOUNTING DIRECTION.
 - 11) IN THE CLEANER PART NUMBER THE SQC2RM INDICATES A REDUCED MARTIN SQC2 MINI QUICK-CHANGE SECONDARY CLEANER, THE NEXT TWO DIGITS INDICATE THE BELT WIDTH, THE NEXT DIGIT INDICATES THE BLADE TYPE (SEE BLADE CHART), THE NEXT TWO DIGITS INDICATE THE BLADE CLEANING WIDTH, THE NEXT TWO DIGITS INDICATE THE BLADE BUFFER TYPE (MR FOR STD RUBBER, FR FOR FLAME RETARDANT RUBBER), THE NEXT DIGIT INDICATES THE MAINFRAME OPTIONS (P = PAINTED MAINFRAME), THE NEXT DIGIT INDICATES IF A TENSIONER IS INCLUDED (T IS WITH TENSIONER, 0 IS WITHOUT), THE LAST DIGIT IS FOR ADDITIONAL OPTIONS (D = DUST TIGHT STEEL COVER DOOR).



©Copyright 2020 Martin Engineering. All rights reserved. Covered by U.S. and foreign patents pending and issued. ® and TM indicate trademarks of Martin Engineering.



TITLE	MARTIN® SQC2™ REDUCED SQ MNFRM SEC BELT CLNR DUST TIGHT COVER DOOR	DRAWN	MJB
		DATE	01/31/17
		CHECKED	
		ENG.	JAP
		DATE	01/31/17
		APPROVED	CJB
		DATE	01/31/17
		SCALE	1/4

NO.	DESCRIPTION	ECN	DATE	BY
A	CHGD DIM 7.50 TO 8.50	15706	09/22/20	JAH
REVISION				

SALES DRAWING S50081