

Martin® Return Roller Guard Installation Instructions



⚠ DANGER

Before installing, servicing, or adjusting the conveyor equipment, turn off and lock out/tag out all energy sources to the conveyor and conveyor accessories according to ANSI standards. Failure to do so could result in serious injury or death.

⚠ WARNING

Martin® Return Roller Guards are designed to provide pinch point protection for return rollers and to prevent return rollers from falling in case of mechanical failure. Martin® Return Roller Guards prevent personnel from contacting return roller.

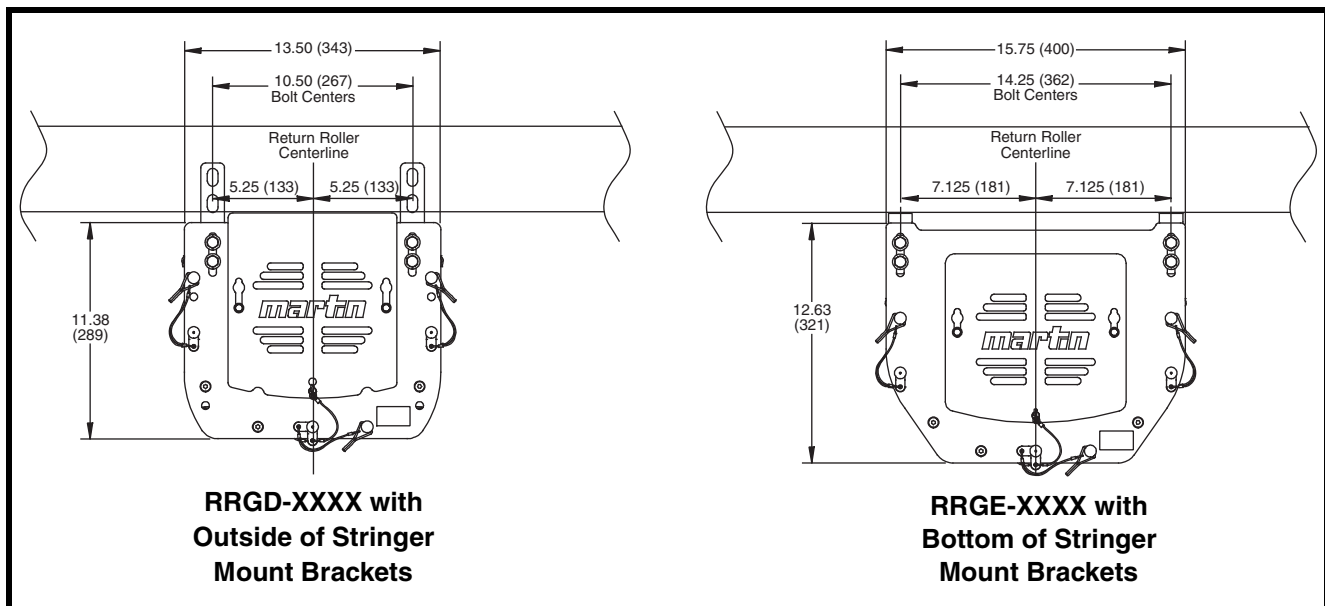


Figure 1. Martin® Return Roller Guard Mounting Location

1. Turn off and lock out/tag out energy source according to ANSI standards.
2. Mark vertical center line of return roller. Make sure center line is perpendicular to belt line.
3. Measure in each direction from center line of return roller and mark locations of mounting bolt holes.

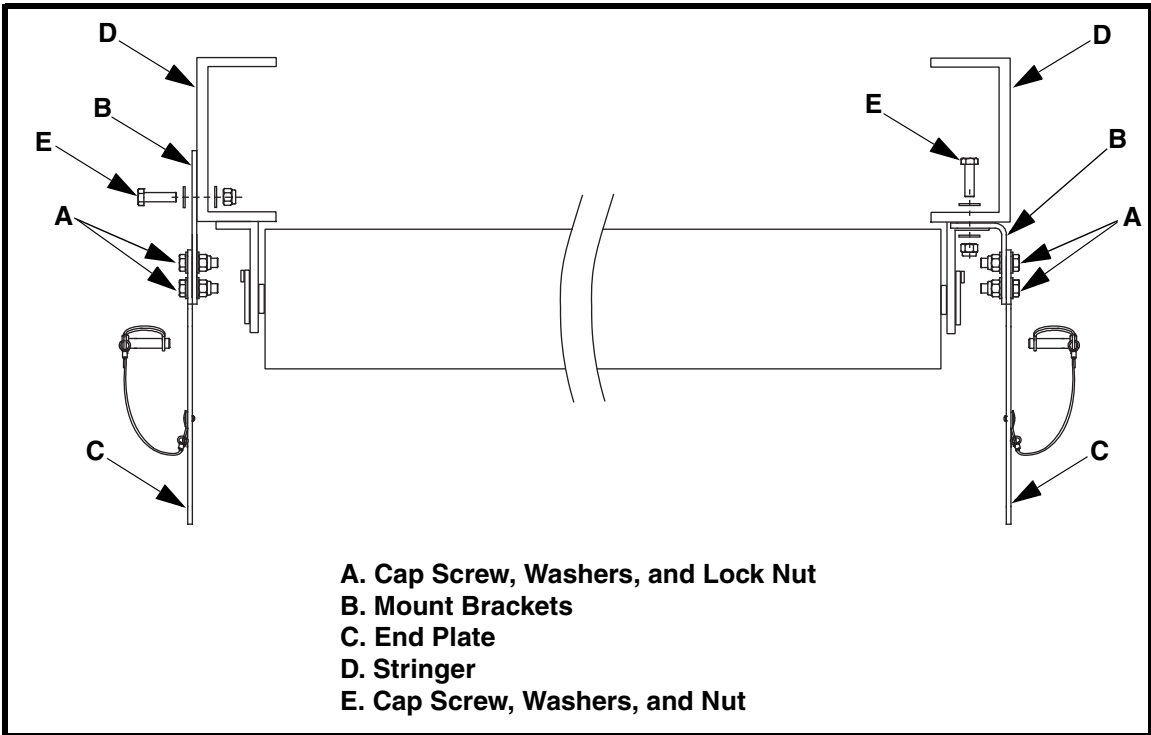


Figure 2. End Plate Installation

4. Determine which mounting brackets are best suited for the application.
5. Install mounting brackets (B) on end plate (C) using cap screws, washers and lock nuts (A).
6. Align mount brackets with locations marked in step 3.
7. Using the brackets as a template, mark location of mounting holes.
8. Drill or cut holes in stringer (D). Remove burrs and sharp edges.
9. Install end plate with brackets to stringer using cap screws, washers, and nuts (E).
10. Repeat steps 2–9 on opposite side of conveyor.

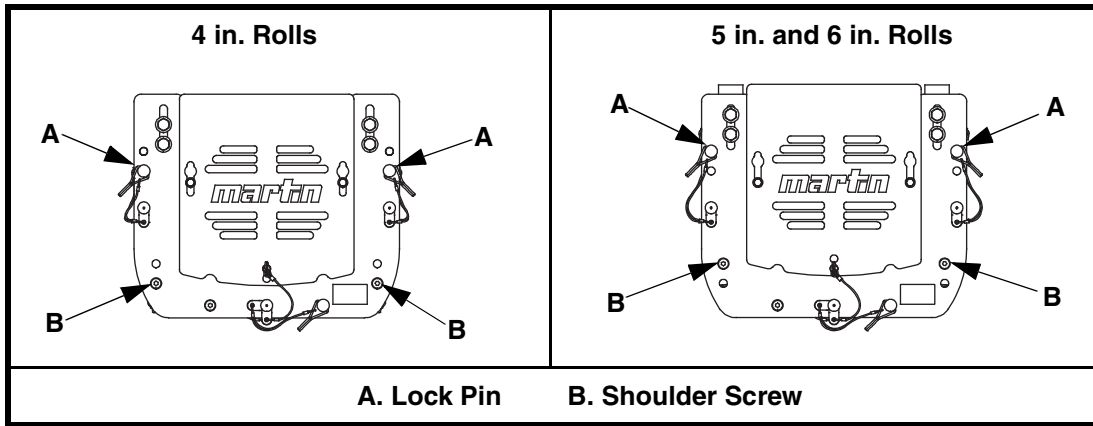


Figure 3. Side Panel Location For P/N RRGD-XXXX

11. Determine proper mounting hole locations for side panels. Use lower holes for 4 in. rolls. Use upper holes for 5 in. and 6 in. rolls.

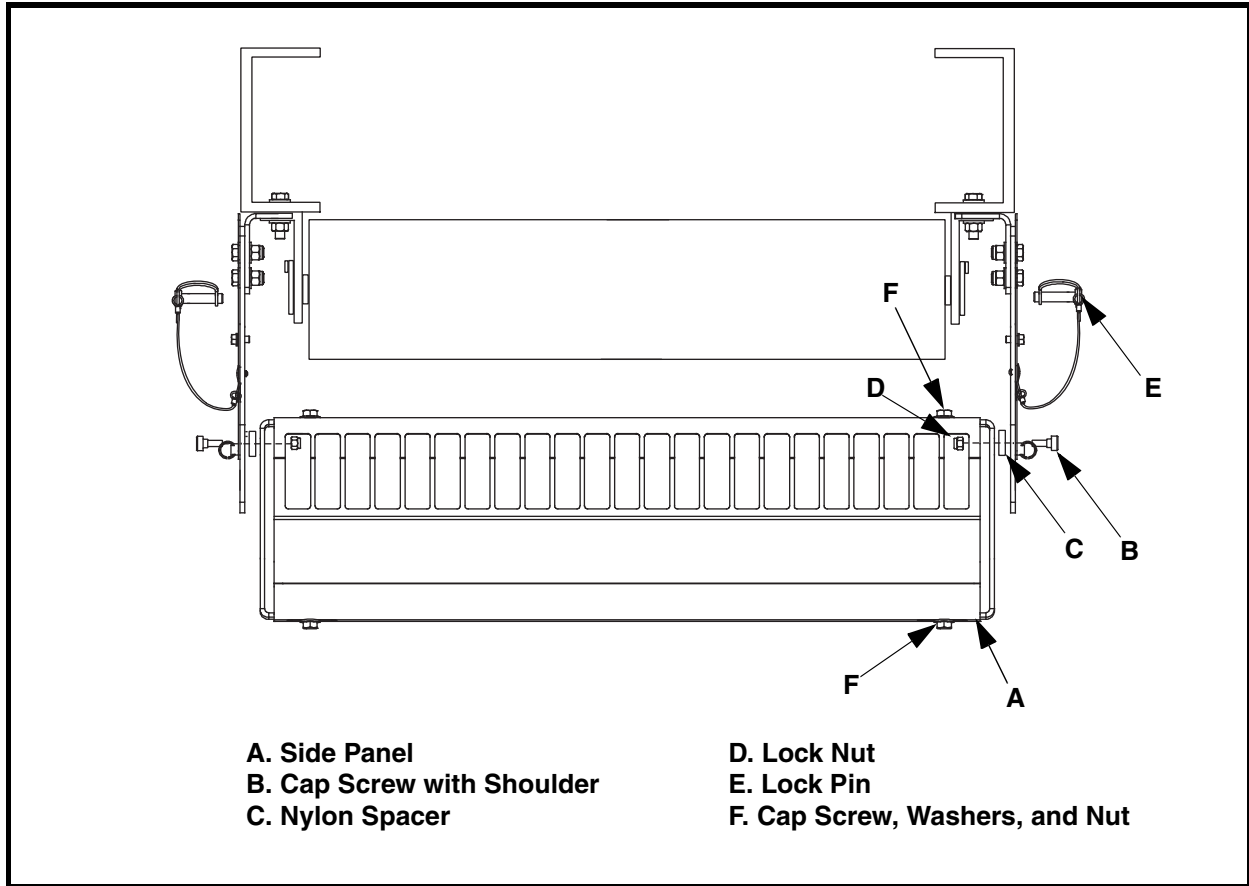


Figure 4. Side and Bottom Panel Installation

IMPORTANT

Solid portion of side panel must be closest to belt when guard is in closed position.

NOTE

It may be necessary to loosen cap screws and nuts (F) to allow side panel to fit properly between end plates.

12. Install side panel (A) onto end plate using cap screw (B), nylon spacer (C), and lock nut (D). Nylon spacer must be installed between the end plate and side panel.
13. Repeat step 11 on opposite end of panel.
14. Rotate side panel up into the closed position and insert lock pins (E) on both ends of side panel.
15. Tighten cap screws and nuts (F).
16. Repeat steps 12–15 for other side panel and bottom panel.

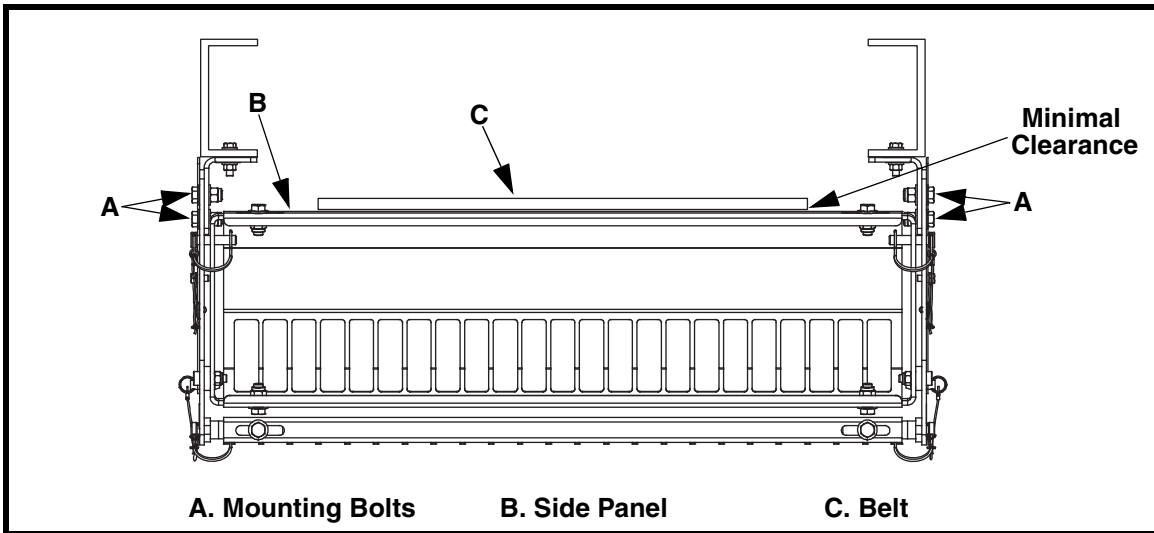


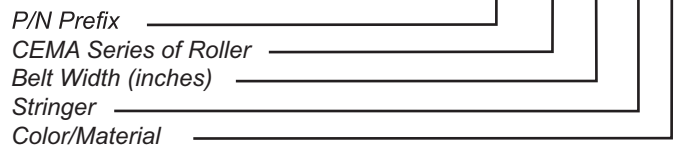
Figure 5. Side Panel Adjustments

17. Adjust mounting bolts (A) so there is minimal clearance between belt (C) and side panel (B). Belt should be as close to side panel as possible without touching during operation.
18. Repeat step 17 to adjust other side panel.
19. Make sure all fasteners are tight and return roller guards do not interfere with operation of conveyor.

Part Numbers

NOMENCLATURE

RRG X XX X X



CEMA SERIES OF ROLLER

- D:** CEMA Series D
- E:** CEMA Series E

STRINGER

- S:** Standard Base
- W:** Wide Base

COLOR/MATERIAL

- O:** Martin® Orange
- C:** 304 Stainless Steel
- S:** 316 Stainless Steel

RRGD-XXXX assemblies will fit all CEMA C or D 4", 5" & 6" return rollers with 4-1/2" drop brackets only. RRGD-XXXX is available in standard and wide base belt widths 18" thru 72".

RRGE-XXXX assemblies will fit all CEMA E 6" & 7" return rollers with 7" drop brackets only. RRGE-XXXX is available in standard and wide base belt widths 36" thru 96".



Martin Engineering Australia Pty Ltd.
 20 Ern Harley Dr - Burleigh Heads, QLD, 4220 -
 Australia 1300 627 364
www.martin-eng.com.au

