

# Martin® Return Roller Basket Standard Version Installation Instructions



## ⚠ DANGER

Before installing, servicing, or adjusting the conveyor equipment, turn off and lockout / tagout / blockout / testout all energy sources to the conveyor and conveyor accessories according to ANSI standards. Failure to do so could result in serious injury or death.

## ⚠ WARNING

Martin® Return Roller Baskets are designed to prevent return roller from falling in case of mechanical failure. Martin® Return Roller Baskets do not guard personnel from contacting return roller.

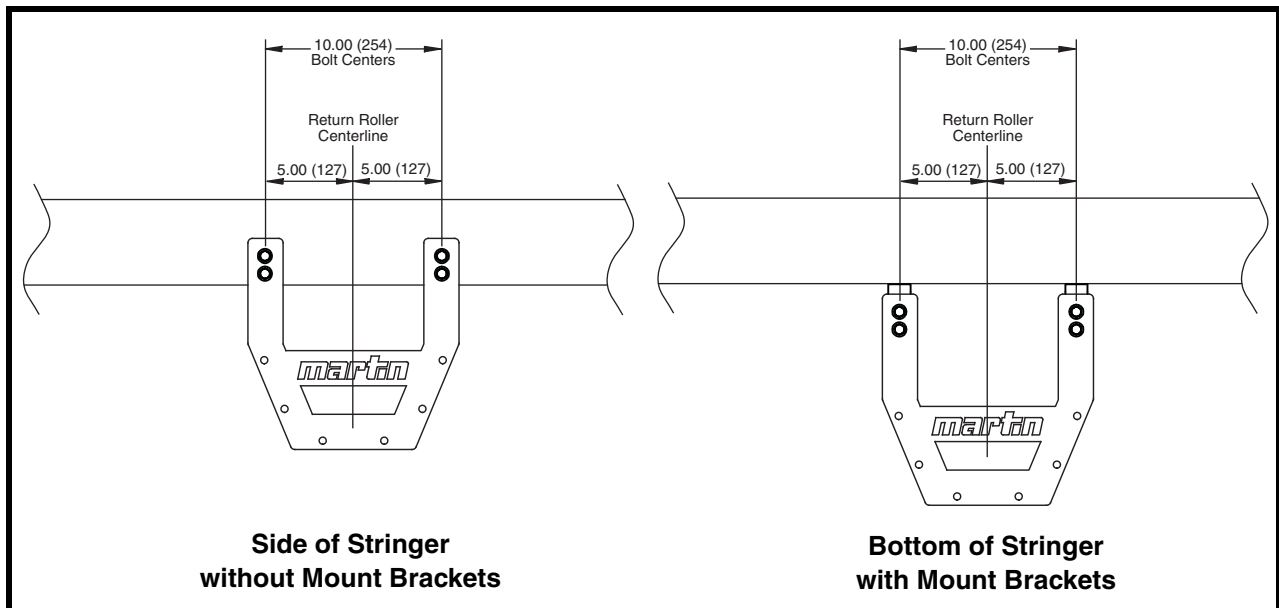
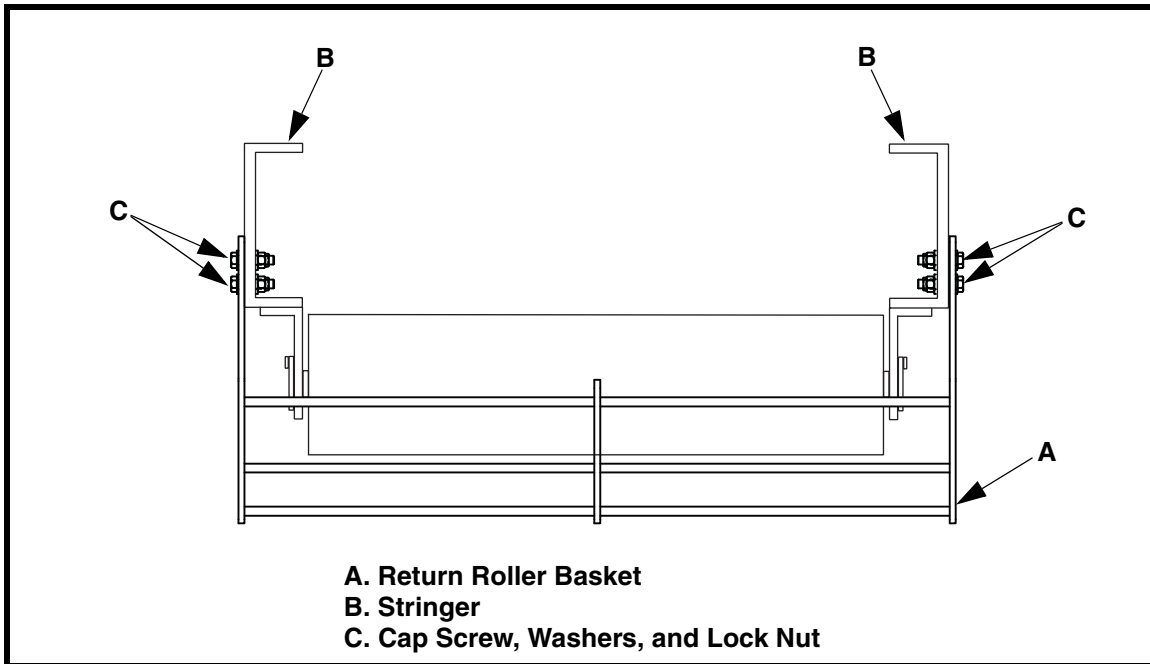


Figure 1. Martin® Return Roller Basket Mounting Location

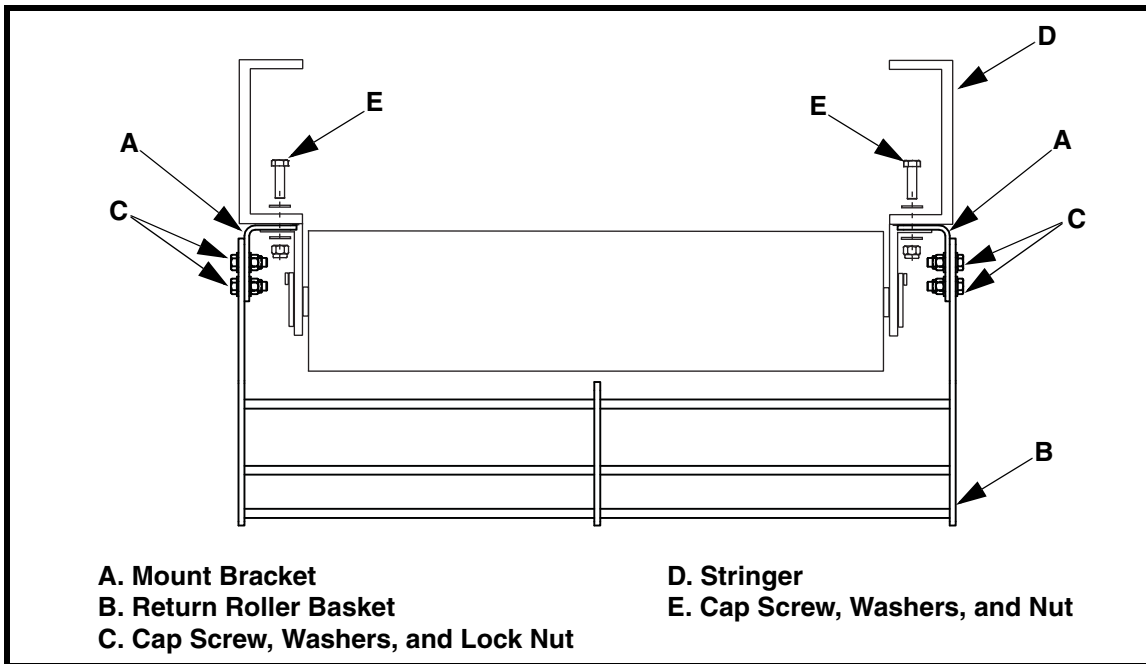
1. Turn off and lockout / tagout / blockout / testout energy source according to ANSI standards.
2. Mark vertical center line of return roller. Make sure center line is perpendicular to belt line.
3. Measure 5.00 in. (127 mm) in both directions and mark locations.



**Figure 2. Martin® Return Roller Basket without Brackets**

***Installation  
without brackets***

1. Align return roller basket (A) with previously marked locations, see Figure 1.
2. Using the basket as a template, mark location of mounting holes.
3. Drill or cut holes in stringer (B). Remove burrs and sharp edges.
4. Install return roller basket to stringer using cap screws, washers, and nuts (C).
5. Make sure all fasteners are tight and return roller baskets do not interfere with operation of conveyor.



**Figure 3. Martin® Return Roller Basket with Brackets**

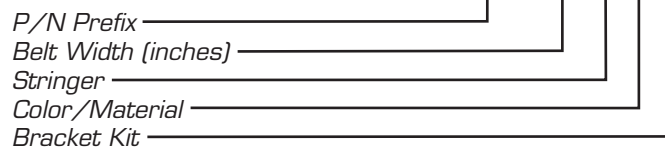
***Installation with brackets***

1. Install mounting brackets (A) on return roller basket (B) using cap screws, washers and lock nuts (C).
2. Align mount brackets with previously marked locations, see Figure 1.
3. Using the brackets as a template, mark location of mounting holes.
4. Drill or cut holes in stringer (D). Remove burrs and sharp edges.
5. Install return roller basket with brackets to stringer using cap screws, washers, and nuts (E).
6. Make sure all fasteners are tight and return roller baskets do not interfere with operation of conveyor.

***Part Numbers***

**NOMENCLATURE**

**RRBL XX X X X**



**STRINGER**

- S:** Standard Base
- W:** Wide Base

**COLOR/MATERIAL**

- O:** Martin® Orange
- C:** 304 Stainless Steel
- S:** 316 Stainless Steel

**BRACKET KIT**

- O:** Without Kit
- K:** With Kit



**Martin Engineering Australia Pty Ltd.**  
20 Ern Harley Dr - Burleigh Heads, QLD, 4220 -  
Australia 1300 627 364  
[www.martin-eng.com.au](http://www.martin-eng.com.au)



Form No. M4054-06/16

© 2016 MARTIN ENGINEERING COMPANY. All rights reserved.

Patents and patents pending, ® Registered trademark of  
Martin Engineering Company in the U.S. and other select locations.