

# Martin® Return Roller Basket Installation Instructions



## ⚠ DANGER

Before installing, servicing, or adjusting the conveyor equipment, turn off and lock out/tag out all energy sources to the conveyor and conveyor accessories according to ANSI standards. Failure to do so could result in serious injury or death.

## ⚠ WARNING

Martin® Return Roller Baskets are designed to prevent return roller from falling in case of mechanical failure. Martin® Return Roller Baskets do not guard personnel from contacting return roller.

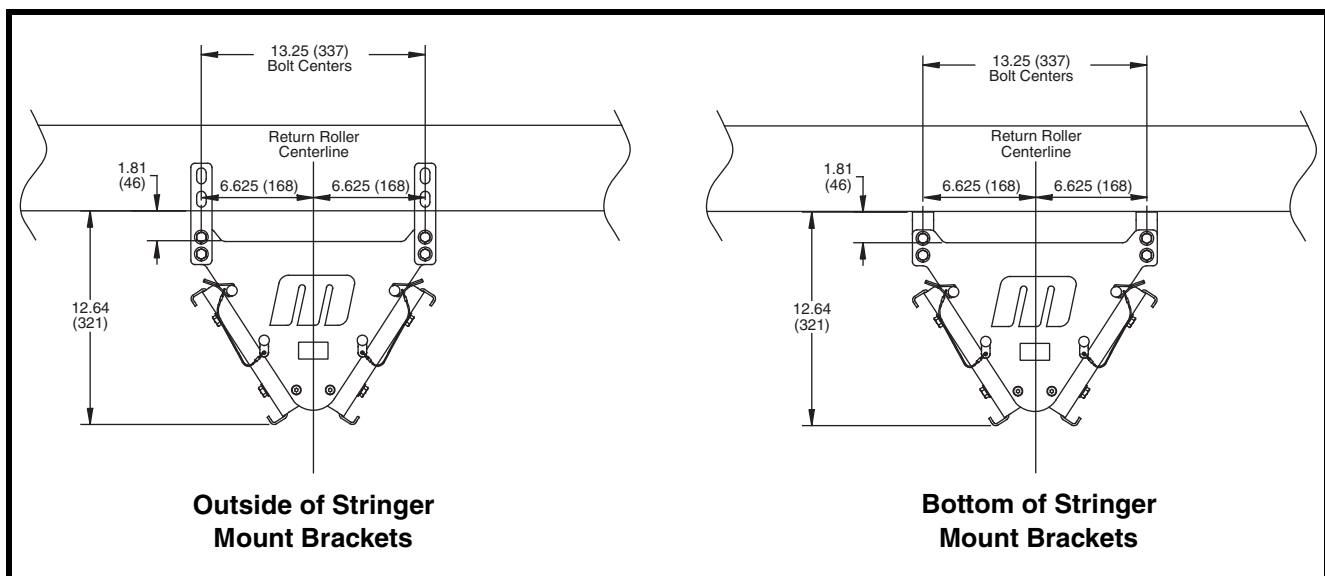
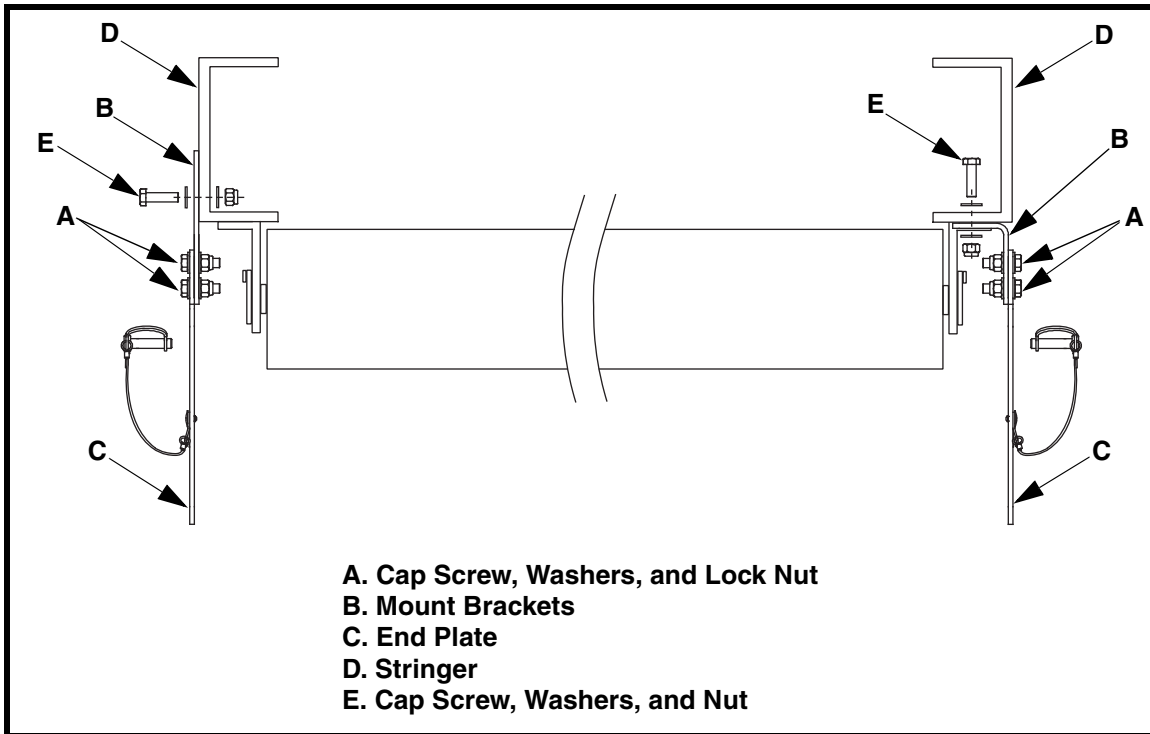


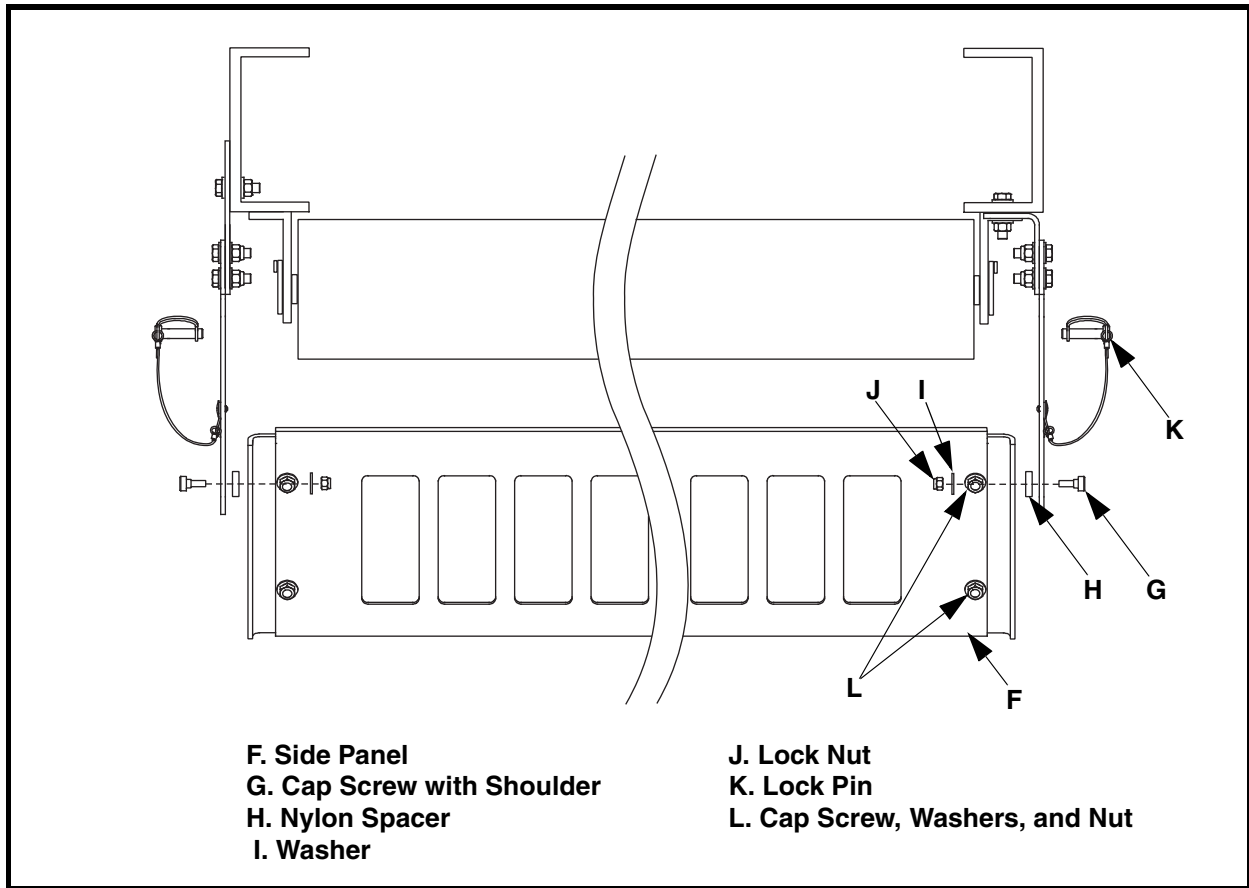
Figure 1. Martin® Return Roller Basket Mounting Location

1. Turn off and lock out/tag out energy source according to ANSI standards.
2. Mark vertical center line of return roller. Make sure center line is perpendicular to belt line.
3. Measure 6.625 in. (168 mm) in both directions and mark locations.



**Figure 2. Martin® Return Roller Basket Installation**

4. Determine which mounting brackets are best suited for the application.
5. Install mounting brackets (B) on end plate (C) using cap screws, washers and lock nuts (A).
6. Align mount brackets with locations marked in step 3.
7. Using the brackets as a template, mark location of mounting holes.
8. Drill or cut holes in stringer (D). Remove burrs and sharp edges.
9. Install end plate with brackets to stringer using cap screws, washers, and nuts (E).
10. Repeat steps 2–9 on opposite side of conveyor.



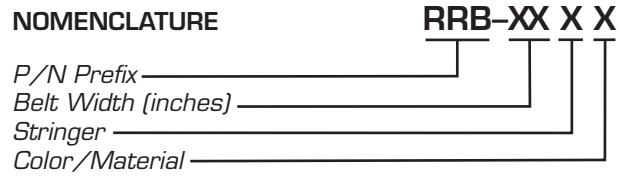
**Figure 3. Martin® Return Roller Basket Installation**

**NOTE**

**It may be necessary to loosen cap screws and nuts (L) to allow side panel to fit properly between end plates.**

11. Install side panel (F) onto end plate using cap screw (G), nylon spacer (H), washer (I), and lock nut (J). Nylon spacer must be installed between the end plate and side panel.
12. Repeat step 11 on opposite end of panel.
13. Rotate side panel up into the closed position and insert lock pins (K) on both ends of side panel.
14. Repeat steps 11–13 to install other side panel.
15. Make sure all fasteners are tight and return roller baskets do not interfere with operation of conveyor.

## Part Numbers



### STRINGER

**S:** Standard Base  
**W:** Wide Base

### COLOR/MATERIAL

**O:** Martin® Orange  
**C:** 304 Stainless Steel  
**S:** 316 Stainless Steel



**Martin Engineering Australia Pty Ltd.**  
102 Christensen Road South  
Stapylton QLD 4207 - Australia  
+61 1300 627 364  
salesau@martin-eng.com | www.martin-eng.com.au



Form No. M3840-06/12

© 2011, 2012 MARTIN ENGINEERING COMPANY. All rights reserved.

Patents and patents pending, ® Registered trademark of  
Martin Engineering Company in the U.S. and other select locations.